



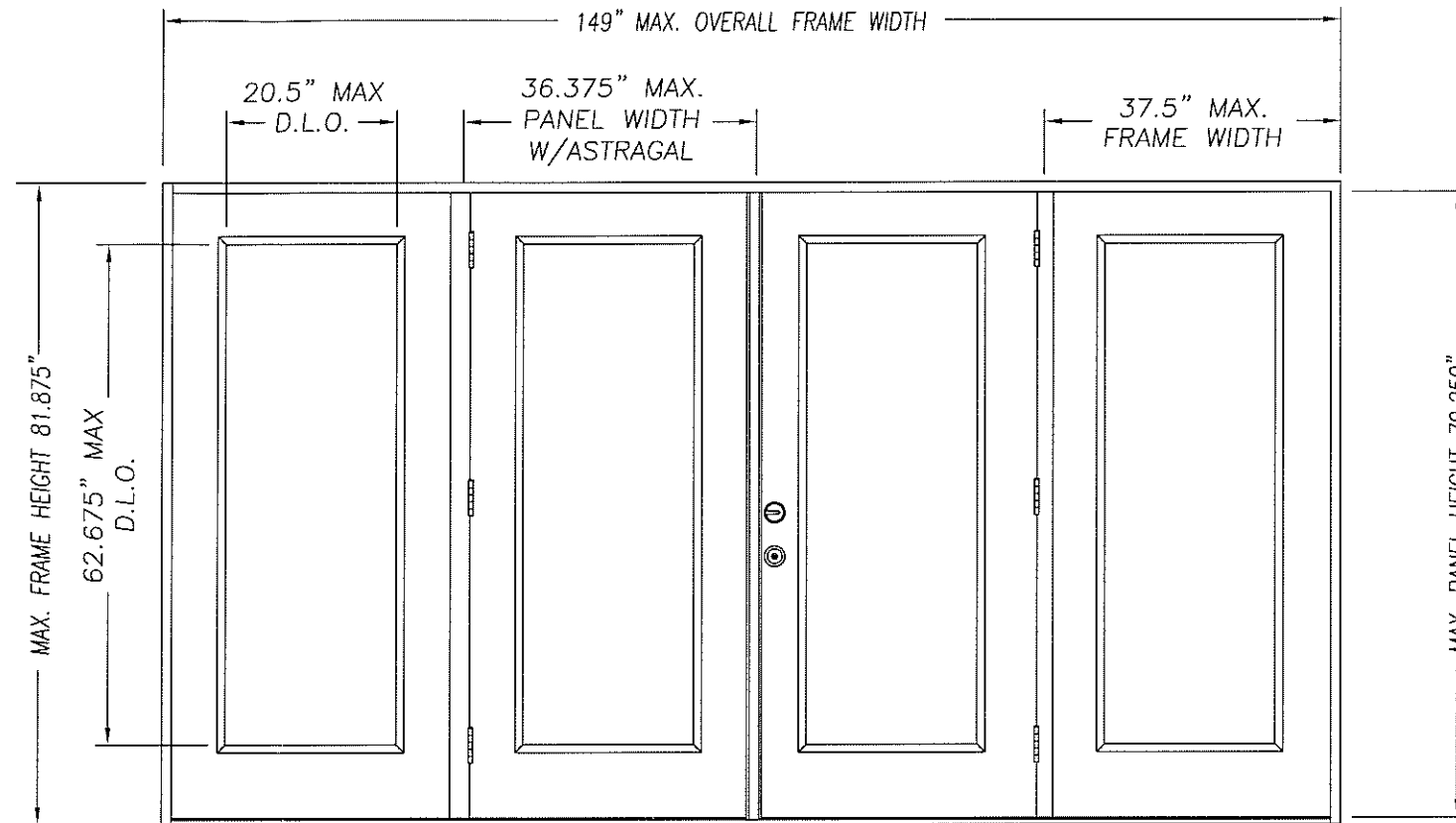
**HURRICANE BELLEVILLE FIBERGLASS DOOR UNIT
6'-8" GLAZED DOUBLE DOOR WITH / WITHOUT SIDELITES**

GENERAL NOTES

1. EVALUATED FOR USE IN LOCATIONS ADHERING TO THE FLORIDA BUILDING CODE AND WHERE PRESSURE REQUIREMENTS AS DETERMINED BY ASCE 7, MINIMUM DESIGN LOADS FOR BUILDINGS AND OTHER STRUCTURES, DOES NOT EXCEED THE DESIGN PRESSURES LISTED.
2. THIS PRODUCT DOES NOT REQUIRE THE USE OF A HURRICANE PROTECTIVE DEVICE (SHUTTERS).
3. POLYURETHANE CORE FLAME SPREAD INDEX OF 50 AND SMOKE DEVELOPED INDEX OF 60 PER ASTM E84.
4. PLASTICS TESTING OF FIBERGLASS FACING:

TEST DESCRIPTION	DESIGNATION	RESULT
SELF IGNITION TEMP	ASTM D1929	803 °F > 650 °F
RATE OF BURNING	ASTM D635	0.79 IN/MIN (C-1)
SMOKE DENSITY	ASTM D2843	48.9%
TENSILE STRENGTH*	ASTM D638	-7.3% DIFF

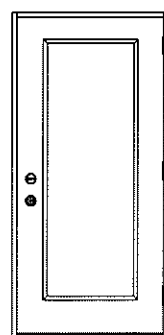
* COMPARATIVE TENSILE STRENGTH AFTER WEATHERING
4500 HOURS XENON ARC METHOD 1



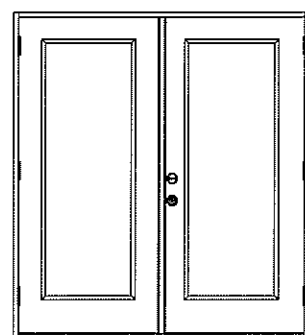
DOUBLE DOOR UNIT W/SIDELITES

Addendum to NAM

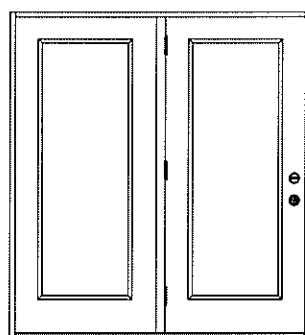
Certification No.: 21005930-R7
Reviewed By: [Signature]
Date Reviewed: 12/17/08



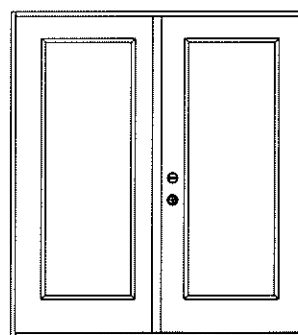
SINGLE DOOR UNIT



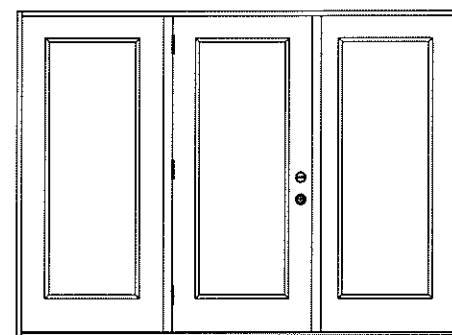
DOUBLE DOOR UNIT



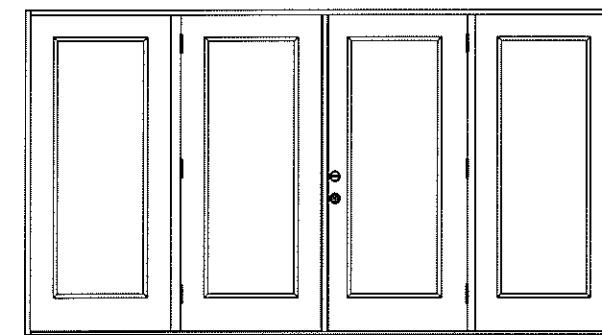
SINGLE DOOR UNIT
WITH SIDELITE



SINGLE DOOR UNIT
WITH SIDELITE



SINGLE DOOR UNIT W/SIDELITES



DOUBLE DOOR UNIT W/SIDELITES

TABLE OF CONTENTS	
SHEET #	DESCRIPTION
1	TYPICAL ELEVATIONS & GENERAL NOTES
2	ANCHORING LOCATIONS & DETAILS
3	ANCHORING LOCATIONS & DETAILS

CONFIG	MAX WIDTH	DESIGN PRESSURE RATING		WHERE WATER INFILTRATION PERFORMANCE IS REQUIRED TO BE 15% OF DESIGN PRESSURE		
		INSWING	OUTSWING	INSWING	OUTSWING	OUTSWING*
X	37.5"	+60.0 / -60.0	+60.0 / -60.0	+19.0 / -19.0	+40.0 / -40.0	+60.0 / -60.0
XX	74"	+60.0 / -60.0	+60.0 / -60.0	+19.0 / -19.0	+40.0 / -40.0	+60.0 / -60.0
OX or XO	75"	+60.0 / -60.0	+60.0 / -60.0	+19.0 / -19.0	+40.0 / -40.0	+60.0 / -60.0
OXO	112.5"	+60.0 / -60.0	+60.0 / -60.0	+19.0 / -19.0	+40.0 / -40.0	+60.0 / -60.0
OXXO	149"	+60.0 / -60.0	+60.0 / -60.0	+19.0 / -19.0	+40.0 / -40.0	+60.0 / -60.0

* High Dam Threshold Design

MASONITE INTERNATIONAL CORP.
7300 REAMES RD.
CHARLOTTE, NC 28216

PRODUCT:
"EXTERIOR DOOR PRODUCT"
DOUBLE 6'8" GLAZED
FIBERGLASS DOOR
PART OR ASSEMBLY:
TYPICAL ELEVATIONS
& GENERAL NOTES

NO.	DATE	REVISIONS	
		BY	DATE
F	12/15/08	SWS	ADDED SPACER
E	1/2/08	SWS	HINGE SCREW LENGTH
D	4/9/07	SWS	GENERAL REVISIONS
C	4/25/05	SWS	ANCHORS & PLASTICS
B	3/1/05	SWS	FLORIDA CHANGES
A	2/22/05	SWS	ADDED GLASS DETAIL

DATE: 2/11/05

SCALE: N.T.S.

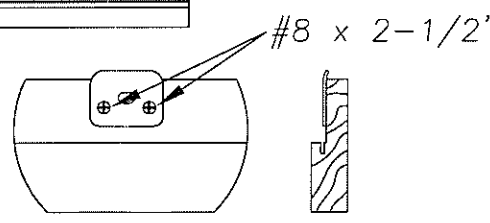
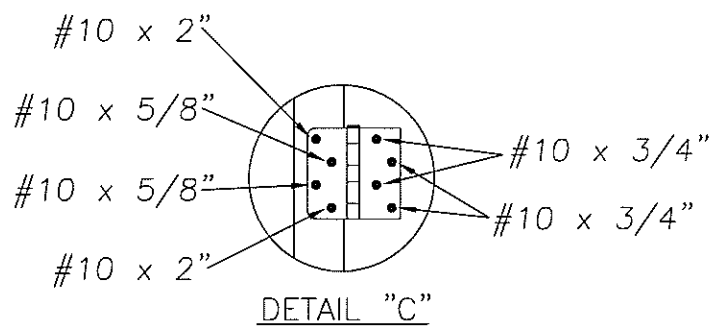
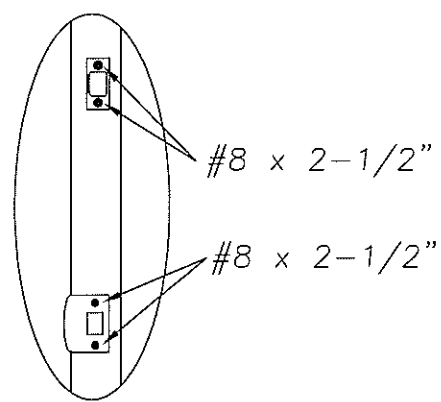
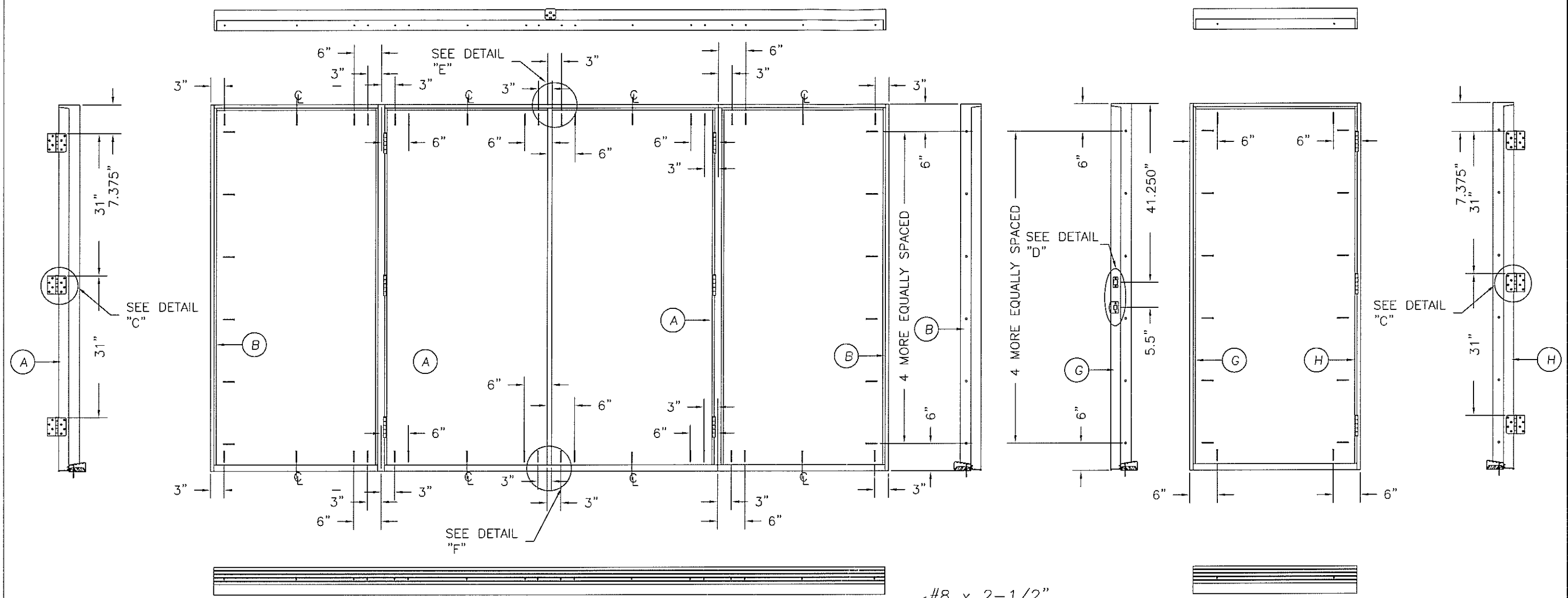
DWG. BY: SWS

CHK. BY:

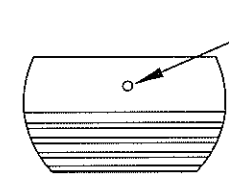
DRAWING NO.:

DWG-MA-FL0122-05

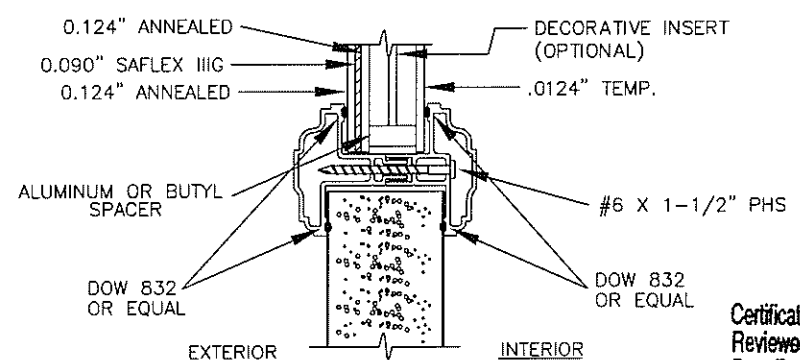
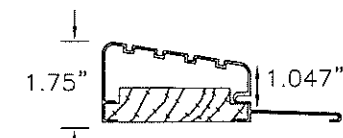
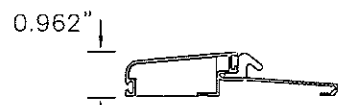
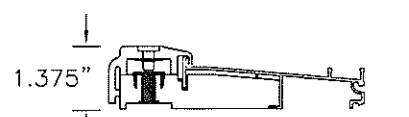
SHEET 1 OF 3



DETAIL "E" ASTRAGAL
ATTACH ASTRAGAL RETAINER BOLT STRIKE PLATE TO FRAME AS SHOWN.



ASTRAGAL RETAINER BOLT HOLE MUST BE DRILLED THROUGH THE THRESHOLD & INTO THE STRUCTURE DEEP ENOUGH FOR A 1.375" THROW



EXTERIOR INTERIOR
TYPICAL GLAZING DETAIL
IMPACT RATED GLASS

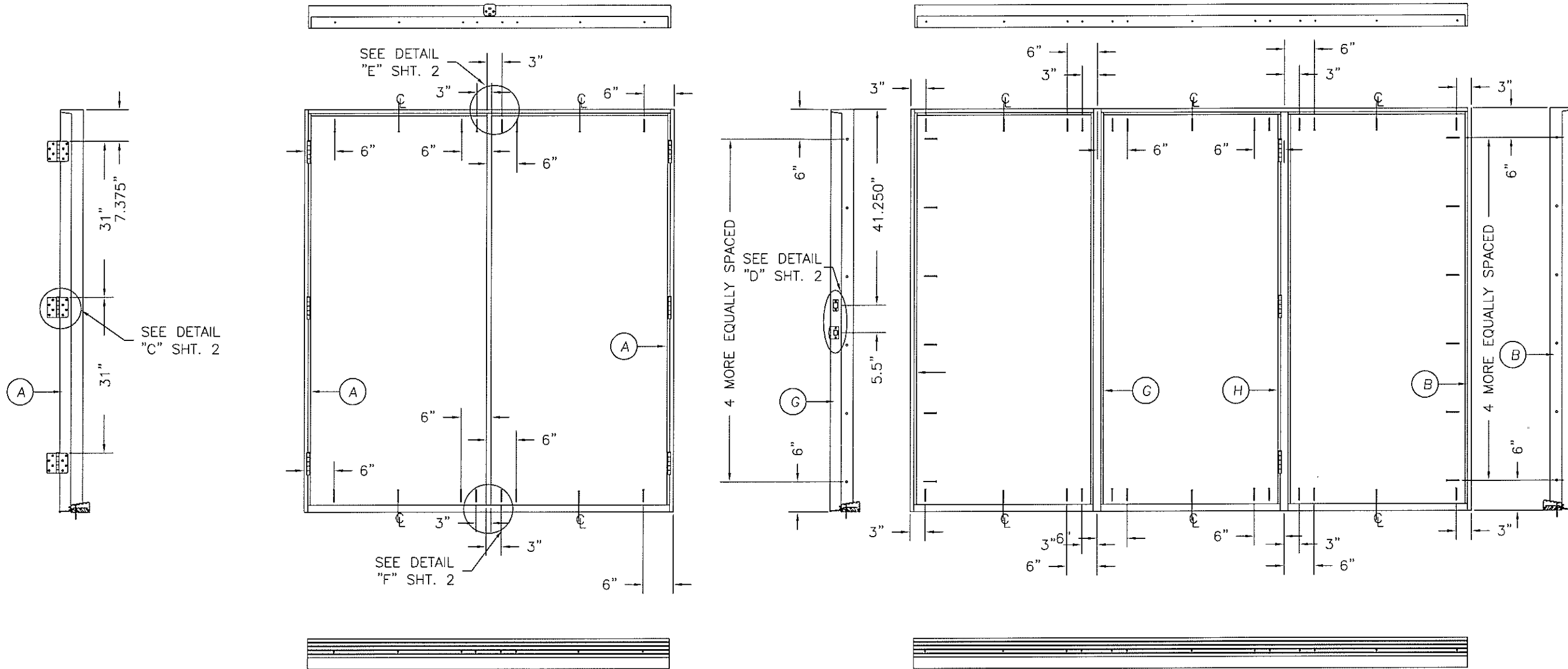
Addendum to NAMI
Certification No.: N1005930-R7
Reviewed By: [Signature]
Date Reviewed: 12/17/08

MASONITE INTERNATIONAL CORP.
7300 REAMES RD.
CHARLOTTE, NC 28216

PRODUCT: "EXTERIOR DOOR PRODUCT" 6'-8" FIBERGLASS GLAZED DOUBLE DOOR UNIT
PART OR ASSEMBLY: ANCHORING LOCATIONS & DETAILS

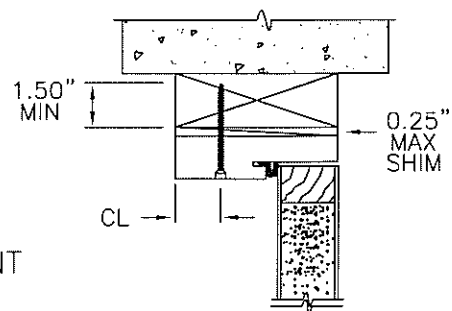
NO.	DATE	ADDED GLASS DETAIL	SWS	BY
F	12/15/08	ADDED SPACER	SWS	
L	1/2/08	HINGE SCREW LENGTH	SWS	
D	4/9/07	GENERAL REVISIONS	SWS	
C	4/25/05	ANCHORS & PLASTICS	SWS	
B	3/1/05	FLORIDA CHANGES	SWS	
A	2/22/05	ADDED GLASS DETAIL	SWS	
				REVISIONS

DATE: 2/11/05
SCALE: N.T.S.
DWG. BY: SWS
CHK. BY:
DRAWING NO.:
DWG-MA-FLO122-05
SHEET 2 OF 3



ATTACHMENT DETAIL

1. ANCHOR ANALYSIS FOR LOADING CONDITIONS PREPARED, SIGNED AND SEALED BY HAROLD E. RUPP, PE (FLORIDA #15935) WITH THE LOWEST (LEAST) FASTENER RATING FROM THE DIFFERENT FASTENERS BEING CONSIDERED FOR USE. JAMB, HEAD, AND THRESHOLD FASTENERS ANALYZED FOR THIS UNIT INCLUDE #10 WOOD SCREWS OR 3/16" TAPCONS. A PHYSICAL SHIM MUST BE PLACED IN SHIM SPACE AT EACH ANCHOR LOCATION.
2. THE WOOD SCREW SINGLE SHEAR DESIGN VALUES COME FROM ANSI/AF&PA NDA FOR SOUTHERN PINE LUMBER AND ACHIEVEMENT OF 1-1/2" MINIMUM EMBEDMENT. THE TAPCON MUST ACHIEVE MINIMUM EMBEDMENT OF 1-1/4".
3. WOOD BUCKS BY OTHERS MUST BE ANCHORED PROPERLY TO TRANSFER LOADS TO STRUCTURE.
4. MINIMUM DESIGN VALUE STRENGTH OF ANCHORS 171 LBS.



TYPICAL ANCHOR INSTALLATION
4-9/16" MIN JAMB

HARDWARE SCHEDULE

1. KWIKSET MAXIMUM SECURITY SERIES GRADE 2 CYLINDRICAL AND DEADLOCK HARDWARE TO BE INSTALLED AT 5-1/2" CENTERLINE.
2. 4" X 4" FULL MORTISE BUTT HINGES.

Addendum to NAMI

Certification No.: N1605930-R7
 Reviewed By: [Signature]
 Date Reviewed: 12/17/08

MASONITE INTERNATIONAL CORP.
 7300 REAMES RD.
 CHARLOTTE, NC 28216

PRODUCT:
 "EXTERIOR DOOR PRODUCT"
 6'-8" FIBERGLASS GLAZED
 DOUBLE DOOR UNIT
 PART OR ASSEMBLY:
 ANCHORING LOCATIONS
 & DETAILS

NO.	DATE	REVISIONS	BY
F	12/15/08	ADDED SPACER	SWS
E	1/2/08	HINGE SCREW LENGTH	SWS
D	4/9/07	GENERAL REVISIONS	SWS
C	4/25/05	ANCHORS & PLASTICS	SWS
B	3/1/05	FLORIDA CHANGES	SWS
A	2/22/05	ADDED GLASS DETAIL	SWS

DATE: 2/11/05
 SCALE: N.T.S.
 DWG. BY: SWS
 CHK. BY:
 DRAWING NO.:
 DWG-MA-FL0122-05
 SHEET 3 OF 3