



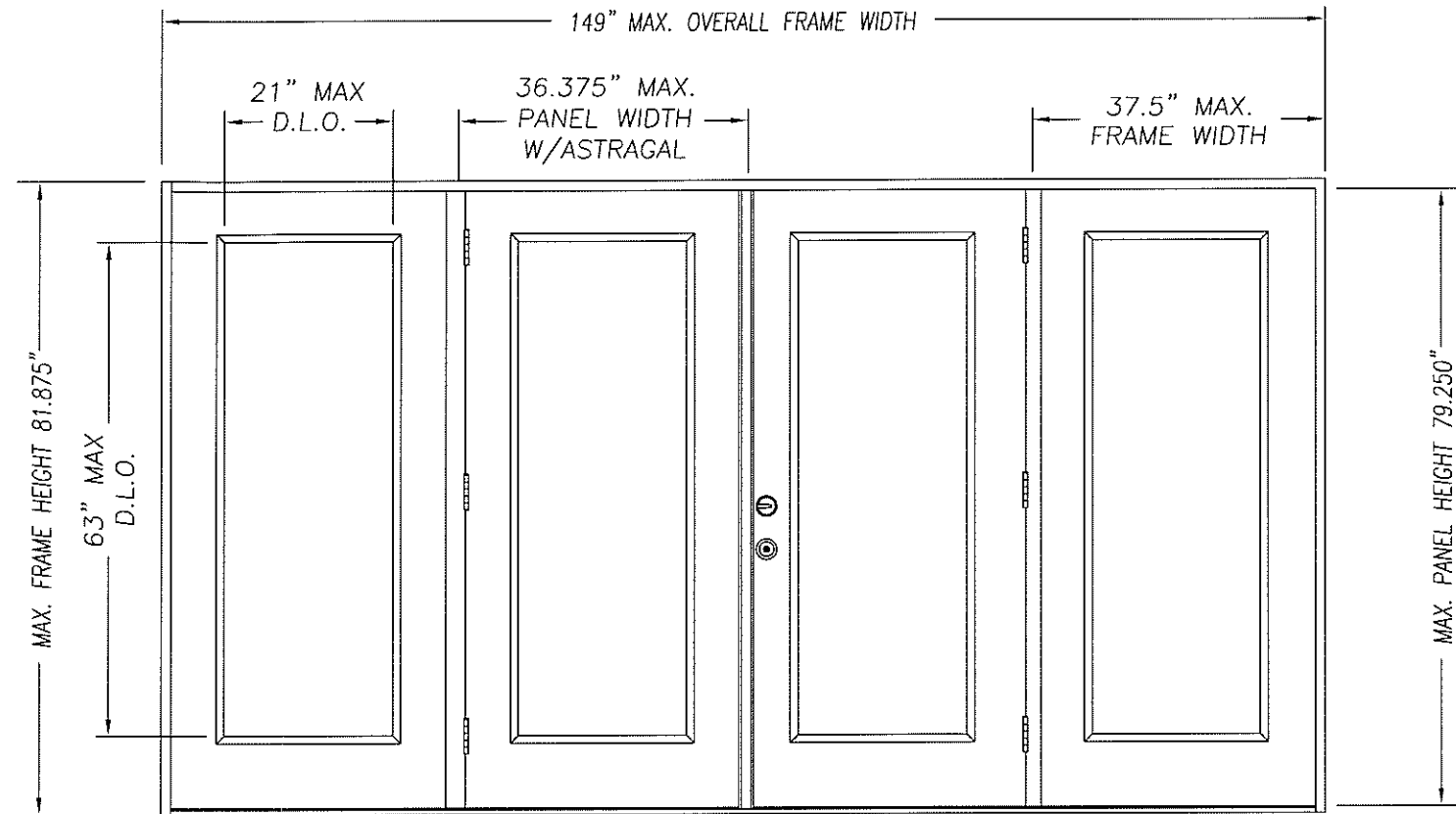
**SIDE-HINGED WOOD-EDGE STEEL DOOR UNIT
6'-8" GLAZED DOUBLE DOOR WITH / WITHOUT SIDELITES**

GENERAL NOTES

- EVALUATED FOR USE IN LOCATIONS ADHERING TO THE FLORIDA BUILDING CODE AND WHERE PRESSURE REQUIREMENTS AS DETERMINED BY ASCE 7, MINIMUM DESIGN LOADS FOR BUILDINGS AND OTHER STRUCTURES, DOES NOT EXCEED THE DESIGN PRESSURES LISTED.
- HURRICANE PROTECTIVE SYSTEM (SHUTTERS) IS REQUIRED.
- POLYURETHANE CORE FLAME SPREAD INDEX OF 50 AND SMOKE DEVELOPED INDEX OF 60 PER ASTM E84.
- PLASTICS TESTING OF LITE FRAME MATERIAL:

TEST DESCRIPTION	DESIGNATION	RESULT
SELF IGNITION TEMP	ASTM D1929	680 °F > 650 °F
RATE OF BURNING	ASTM D635	1.10 IN/MIN
SMOKE DENSITY	ASTM D2843	69.6%
TENSILE STRENGTH*	ASTM D638	-7.48% DIFF

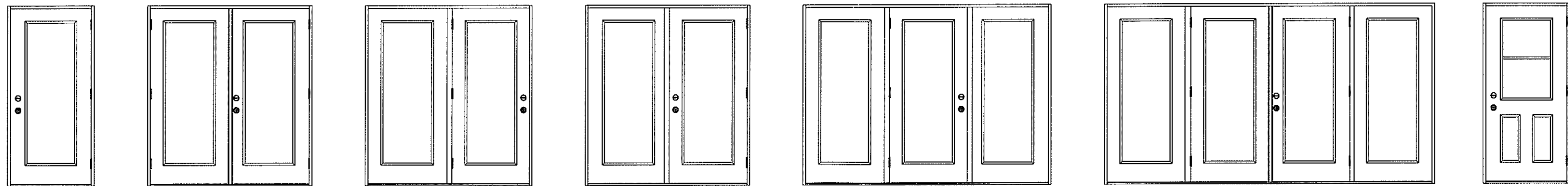
* COMPARATIVE TENSILE STRENGTH AFTER WEATHERING
4500 HOURS XENON ARC METHOD 1



DOUBLE DOOR UNIT W/SIDELITES

Addendum to NAMI

Certification No.: N1006110-23
Reviewed By: [Signature]
Date Reviewed: 12/18/08



SINGLE DOOR UNIT DOUBLE DOOR UNIT SINGLE DOOR UNIT WITH SIDELITE SINGLE DOOR UNIT WITH SIDELITE SINGLE DOOR UNIT W/SIDELITES DOUBLE DOOR UNIT W/SIDELITES SINGLE DOOR UNIT WITH VENTLITE

TABLE OF CONTENTS	
SHEET #	DESCRIPTION
1	TYPICAL ELEVATIONS & GENERAL NOTES
2	ANCHORING LOCATIONS & DETAILS
3	ANCHORING LOCATIONS & DETAILS

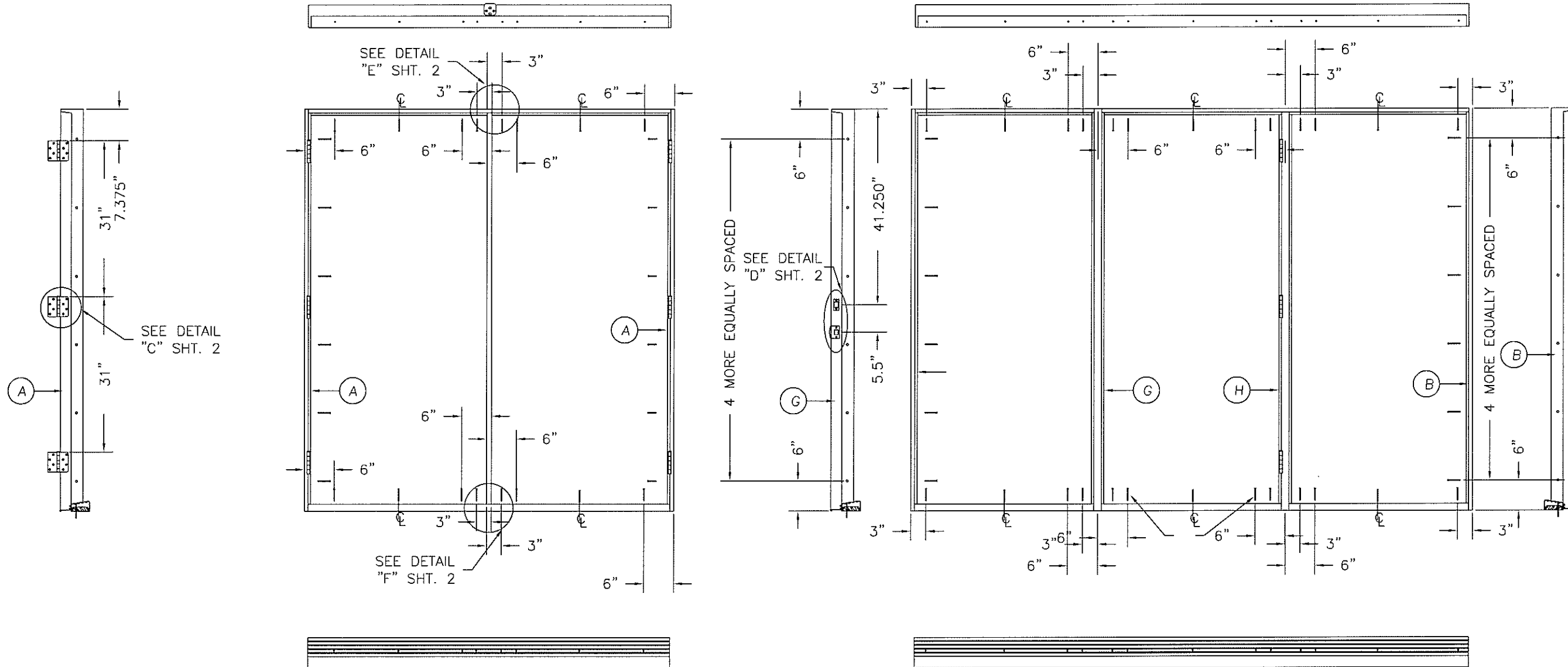
CONFIG	MAX WIDTH	DESIGN PRESSURE RATING		WHERE WATER INFILTRATION PERFORMANCE IS REQUIRED TO BE 15% OF DESIGN PRESSURE	
		INSWING	OUTSWING	INSWING	OUTSWING
X	37.5"	+50.5 / -50.5	+50.5 / -50.5	+19.0 / -19.0	+50.5 / -50.5
XX	74"	+50.5 / -50.5	+50.5 / -50.5	+19.0 / -19.0	+50.5 / -50.5
OX or XO	75"	+50.5 / -50.5	+50.5 / -50.5	+19.0 / -19.0	+50.5 / -50.5
OXO	112.5"	+50.5 / -50.5	+50.5 / -50.5	+19.0 / -19.0	+50.5 / -50.5
OXXO	149"	+50.5 / -50.5	+50.5 / -50.5	+19.0 / -19.0	+50.5 / -50.5
X - VENT	37.5"	+55.0 / -55.0	+55.0 / -55.0	N/A	N/A

MASONITE INTERNATIONAL CORP.
7300 REAMES RD.
CHARLOTTE, NC 28216

PRODUCT: "EXTERIOR DOOR PRODUCT"
DOUBLE 6'8" GLAZED
WOOD-EDGE STEEL DOOR
PART OR ASSEMBLY:
TYPICAL ELEVATIONS
& GENERAL NOTES

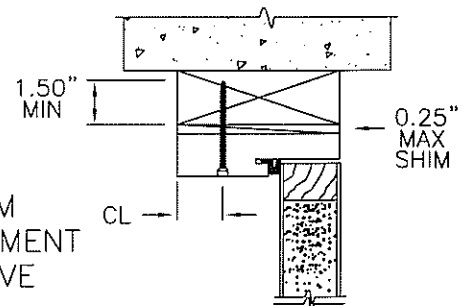
NO.	DATE	BY	REVISIONS	
			DESCRIPTION	DATE
C	12/15/08	SWS	ADDED SPACER	
B	1/2/08	SWS	HINGE SCREW LENGTH	
A	7/20/07	SWS	ADDED VENTLITE	

DATE: 7/11/05
SCALE: N.T.S.
DWG. BY: SWS
CHK. BY:
DRAWING NO.:
DWG-MA-FL0130-05
SHEET 1 OF 3



ATTACHMENT DETAIL

1. ANCHOR ANALYSIS FOR LOADING CONDITIONS PREPARED, SIGNED AND SEALED BY HAROLD E. RUPP, PE (FLORIDA #15935) WITH THE LOWEST (LEAST) FASTENER RATING FROM THE DIFFERENT FASTENERS BEING CONSIDERED FOR USE. JAMB, HEAD, AND THRESHOLD FASTENERS ANALYZED FOR THIS UNIT INCLUDE #10 WOOD SCREWS OR 3/16" TAPCONS. A PHYSICAL SHIM MUST BE PLACED IN SHIM SPACE AT EACH ANCHOR LOCATION.
2. THE WOOD SCREW SINGLE SHEAR DESIGN VALUES COME FROM ANSI/AF&PA NDA FOR SOUTHERN PINE LUMBER AND ACHIEVEMENT OF 1-1/2" MINIMUM EMBEDMENT. THE TAPCON MUST ACHIEVE MINIMUM EMBEDMENT OF 1-1/4".
3. WOOD BUCKS BY OTHERS MUST BE ANCHORED PROPERLY TO TRANSFER LOADS TO STRUCTURE.
4. MINIMUM DESIGN VALUE STRENGTH OF ANCHORS 171 LBS.



TYPICAL ANCHOR INSTALLATION

HARDWARE SCHEDULE

1.	KWIKSET MAXIMUM SECURITY SERIES GRADE 2 CYLINDRICAL AND DEADLOCK HARDWARE TO BE INSTALLED AT 5-1/2" CENTERLINE.
2.	4" X 4" FULL MORTISE BUTT HINGES

Addendum to NAMI

Certification No.: N1006110-R3
 Reviewed By: [Signature]
 Date Reviewed: 12/18/08

MASONITE INTERNATIONAL CORP.
 7300 REAMES RD.
 CHARLOTTE, NC 28216

PRODUCT: "EXTERIOR DOOR PRODUCT"
 6'-8" WOOD-EDGE STEEL GLAZED DOUBLE DOOR UNIT
 PART OR ASSEMBLY: ANCHORING LOCATIONS & DETAILS

NO.	DATE	BY	REVISIONS
C	12/15/08	SWS	ADDED SPACER
B	1/2/08	SWS	HINGE SCREW LENGTH
A	7/20/07	SWS	ADDED VENTLITE

DATE: 7/11/05
 SCALE: N.T.S.
 DWG. BY: SWS
 CHK. BY:
 DRAWING NO.:
 DWG-MA-FL0130-05
 SHEET 3 OF 3