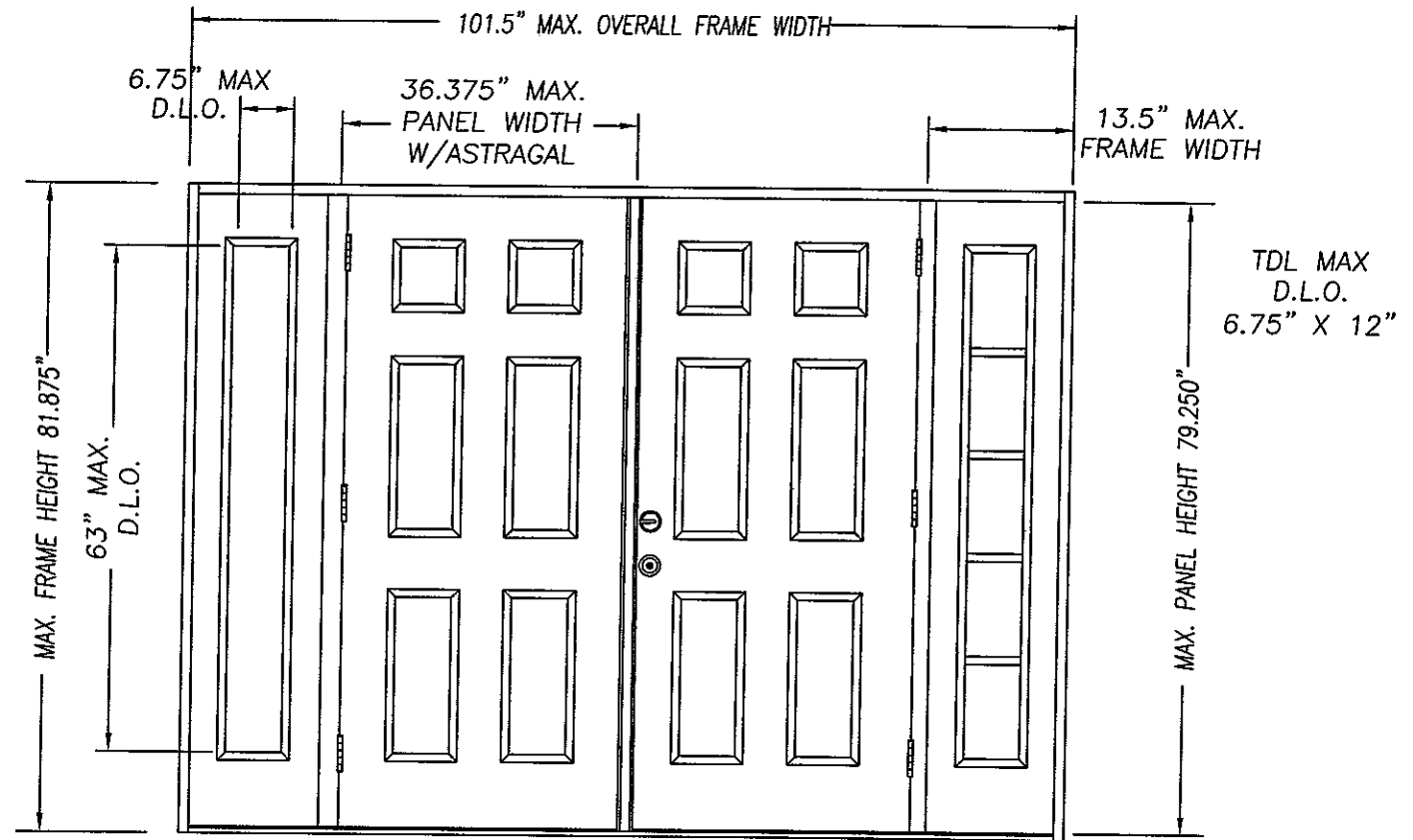




**SIDE-HINGED FIR WOOD DOOR UNIT
6'-8" DOUBLE DOOR WITH / WITHOUT SIDELITES**

GENERAL NOTES

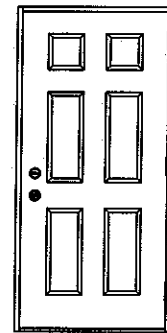
1. EVALUATED FOR USE IN LOCATIONS ADHERING TO THE FLORIDA BUILDING CODE AND WHERE PRESSURE REQUIREMENTS AS DETERMINED BY ASCE 7, MINIMUM DESIGN LOADS FOR BUILDINGS AND OTHER STRUCTURES, DOES NOT EXCEED THE DESIGN PRESSURES LISTED
2. IF LARGE MISSILE IMPACT RESISTANCE IS REQUIRED, HURRICANE PROTECTIVE SYSTEM (SHUTTERS) IS REQUIRED.
3. ONE LITE SIDELITES GLAZED WITH 1/2" IG. TDL SIDELITES GLAZED WITH 7/32" TEMPERED.



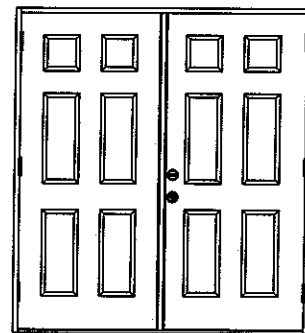
DOUBLE DOOR UNIT W/SIDELITES

Addendum to NAMI

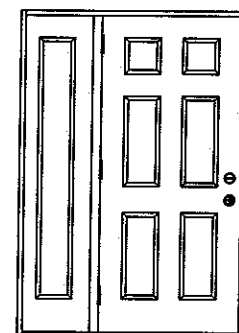
Certification No: NI006721
 Reviewed By: [Signature]
 Date Reviewed: 9/22/06



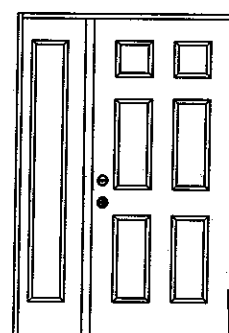
SINGLE DOOR UNIT



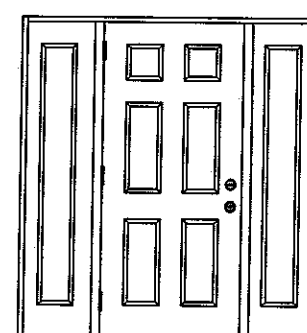
DOUBLE DOOR UNIT



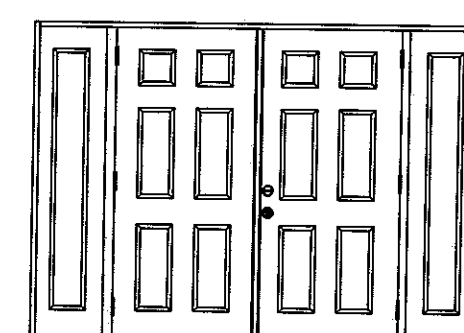
SINGLE DOOR UNIT WITH SIDELITE



SINGLE DOOR UNIT WITH SIDELITE



SINGLE DOOR UNIT W/SIDELITES



DOUBLE DOOR UNIT W/SIDELITES

TABLE OF CONTENTS

SHEET #	DESCRIPTION
1	TYPICAL ELEVATIONS & GENERAL NOTES
2	ANCHORING LOCATIONS & DETAILS
3	ANCHORING LOCATIONS & DETAILS

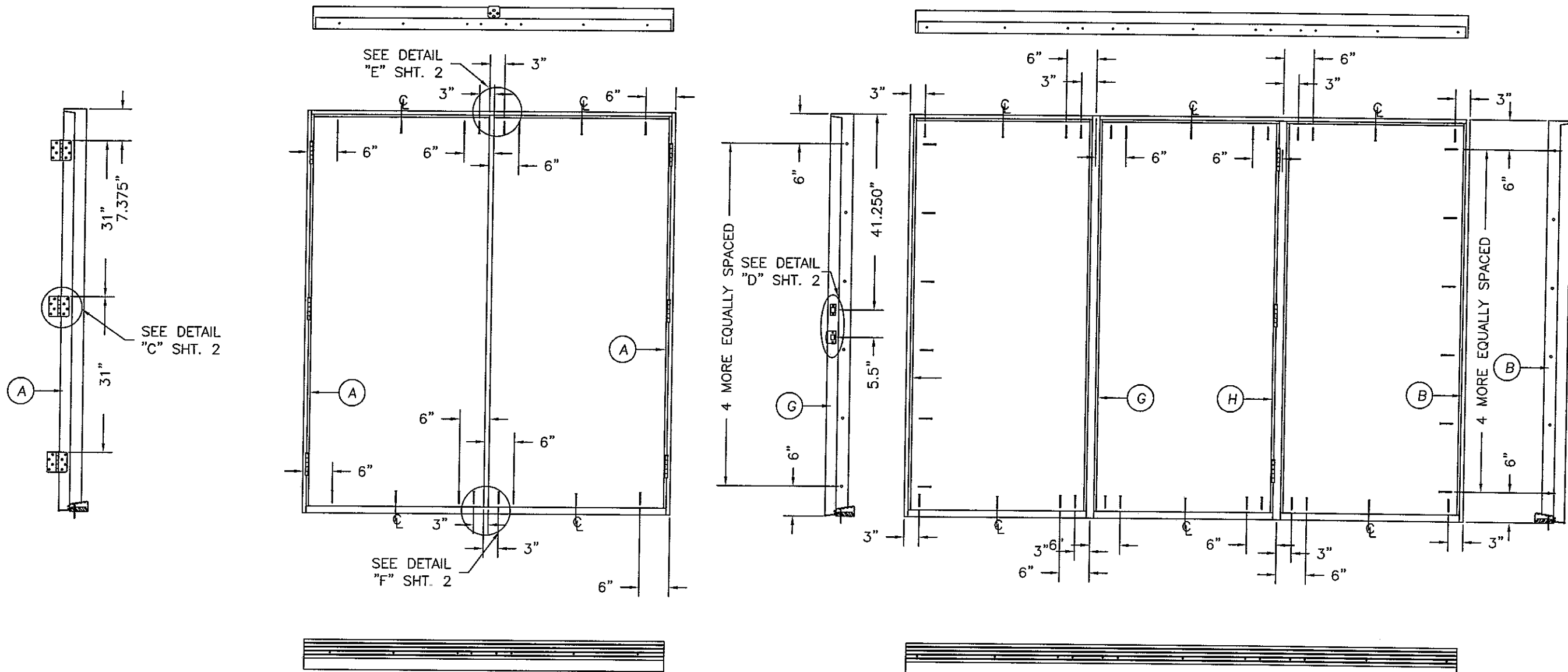
CONFIG	MAX WIDTH	DESIGN PRESSURE RATING		WHERE WATER INFILTRATION PERFORMANCE IS REQUIRED TO BE 15% OF DESIGN PRESSURE	
		INSWING	OUTSWING	INSWING	OUTSWING
X	37.5"	+50.0 / -55.0	+55.0 / -55.0	+19.0 / -19.0	+35.0 / -35.0
XX	74"	+50.0 / -55.0	+55.0 / -55.0	+19.0 / -19.0	+35.0 / -35.0
OX or XO	51"	+50.0 / -55.0	+55.0 / -55.0	+19.0 / -19.0	+35.0 / -35.0
OXO	64.5"	+50.0 / -55.0	+55.0 / -55.0	+19.0 / -19.0	+35.0 / -35.0
OXXO	101.5"	+50.0 / -55.0	+55.0 / -55.0	+19.0 / -19.0	+35.0 / -35.0

MASONITE INTERNATIONAL CORP.
 7300 REAMES RD.
 CHARLOTTE, NC 28216

PRODUCT: EXTERIOR DOOR PRODUCT*
 DOUBLE 6'8" OPAQUE
 FIR DOOR UNIT
 PART OR ASSEMBLY:
 TYPICAL ELEVATIONS
 & GENERAL NOTES

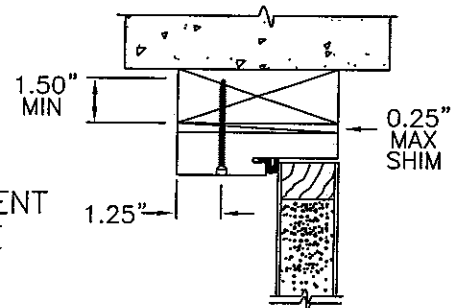
NO.	DATE	BY	REVISIONS

DATE: 9/22/06
 SCALE: N.T.S.
 DWG. BY: SWS
 CHK. BY:
 DRAWING NO.:
 DWG-MA-FL0155-06
 SHEET 1 OF 3



ATTACHMENT DETAIL

1. ANCHOR ANALYSIS FOR LOADING CONDITIONS PREPARED, SIGNED AND SEALED BY HAROLD E. RUPP, PE (FLORIDA #15935) WITH THE LOWEST (LEAST) FASTENER RATING FROM THE DIFFERENT FASTENERS BEING CONSIDERED FOR USE. JAMB, HEAD, AND THRESHOLD FASTENERS ANALYZED FOR THIS UNIT INCLUDE #10 WOOD SCREWS OR 3/16" TAPCONS. A PHYSICAL SHIM MUST BE PLACED IN SHIM SPACE AT EACH ANCHOR LOCATION.
2. THE WOOD SCREW SINGLE SHEAR DESIGN VALUES COME FROM ANSI/AF&PA NDA FOR SOUTHERN PINE LUMBER AND ACHIEVEMENT OF 1-1/2" MINIMUM EMBEDMENT. THE TAPCON MUST ACHIEVE MINIMUM EMBEDMENT OF 1-1/4".
3. WOOD BUCKS BY OTHERS MUST BE ANCHORED PROPERLY TO TRANSFER LOADS TO STRUCTURE.
4. MINIMUM DESIGN VALUE STRENGTH OF ANCHORS 171 LBS.



TYPICAL ANCHOR INSTALLATION

HARDWARE SCHEDULE

- | | |
|----|---|
| 1. | KWIKSET MAXIMUM SECURITY SERIES GRADE 2 CYLINDRICAL AND DEADLOCK HARDWARE TO BE INSTALLED AT 5-1/2" CENTERLINE. |
| 2. | 4" X 4" FULL MORTISE BUTT HINGES. |

Addendum to NAMI

Certification No.: N1006721
 Reviewed By: [Signature]
 Date Reviewed: 9/22/06

MASONITE INTERNATIONAL CORP. 7300 REAMES RD. CHARLOTTE, NC 28216	
PRODUCT: "EXTERIOR DOOR PRODUCT" 6'-8" FIR OPAQUE DOUBLE DOOR UNIT	PART OR ASSEMBLY: ANCHORING LOCATIONS & DETAILS
NO.	DATE
BY	REVISIONS
DATE: 9/22/06	SCALE: N.T.S.
DWG. BY: SWS	CHK. BY:
DRAWING NO.: DWG-MA-FL0155-06	
SHEET 3 OF 3	