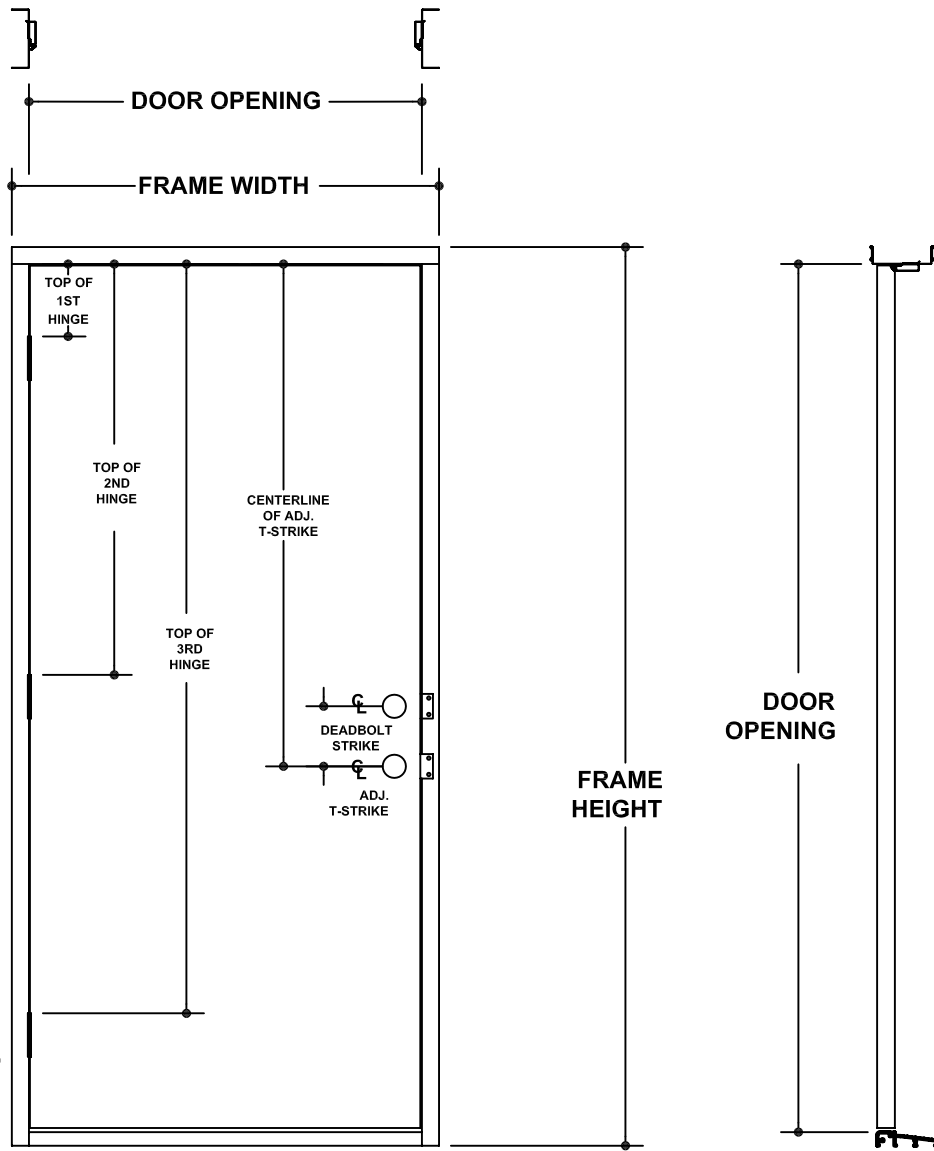


**SINGLE DOOR
ELEVATION DETAIL**



NOMINAL WIDTH	DOOR OPENING	FRAME WIDTH
2'0"	24"	27-1/8"
2'6"	30"	33-1/8"
2'8"	32"	35-1/8"
2'10"	34"	37-1/8"
3'0"	36"	39-1/8"
3'6"	42"	45-1/8"

NOTE: 8'0" UNIT FEATURES 4TH HINGE, SEE TABLE FOR LOCATION

ROUGH OPENING
FRAME HEIGHT LESS 1"
FRAME WIDTH LESS 1-7/8"

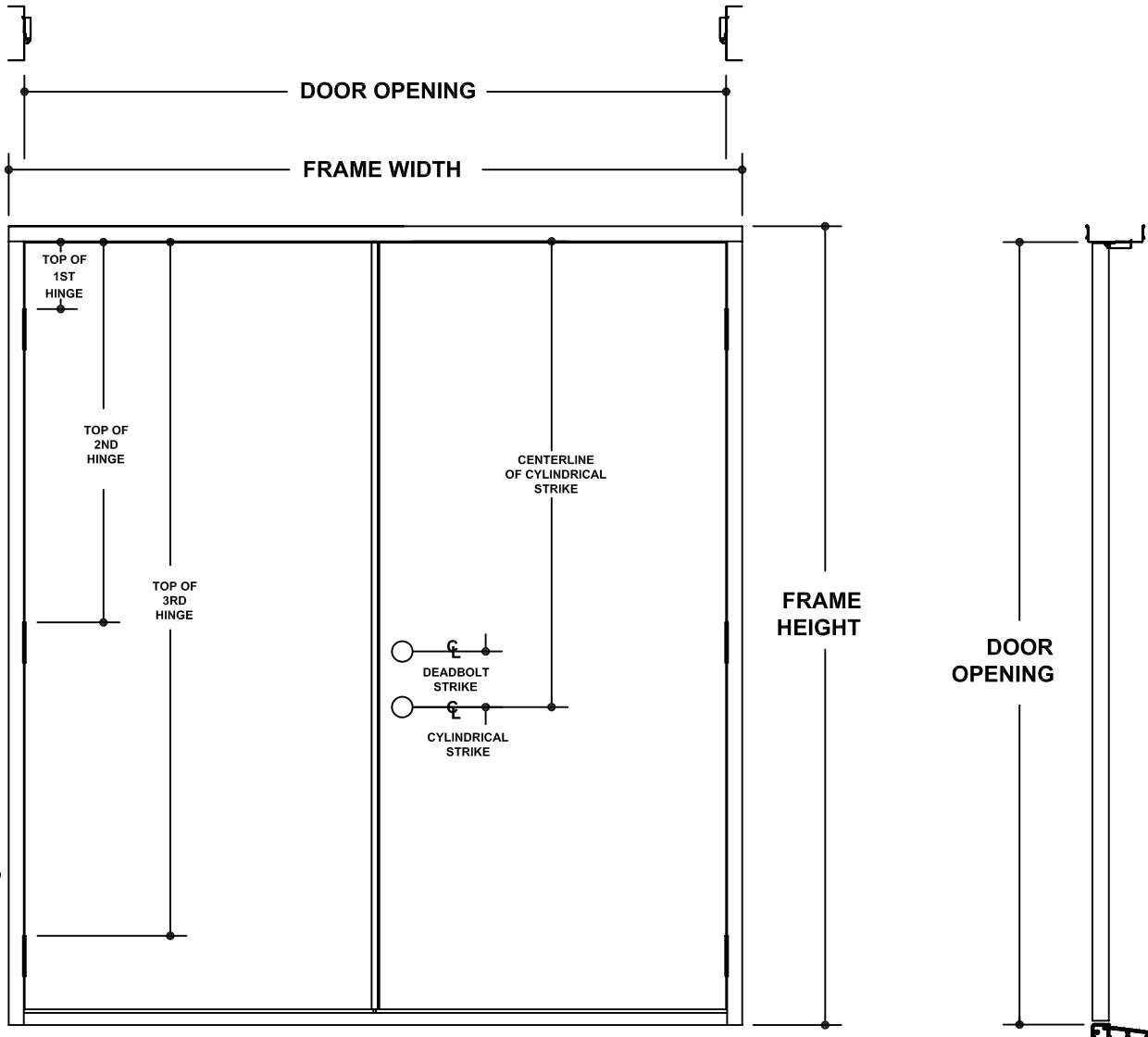
NOMINAL HEIGHT	DOOR OPENING		FRAME HEIGHT		HINGE PREP				ADJ. T-STRIKE	DEADBOLT STRIKE
	INSWING	OUTSWING/ADA	INSWING	OUTSWING/ADA	1ST	2ND	3RD	4TH		
6'8"	79-1/2"	79-7/16"	82-5/16"	81-1/2"	6-5/8"	37-5/8"	68-5/8"	N/A	46"	5-1/2"
7'0"	83-1/2"	83-7/16"	86-5/16"	85-1/2"	6-5/8"	37-5/8"	68-5/8"	N/A	46"	5-1/2"
8'0"	95-1/2"	95-7/16"	98-5/16"	97-1/2"	6-5/8"	32-5/8"	58-5/8"	84-5/8"	62"	5-1/2" OR 10-1/2"

Our continuing program of product improvement makes specifications, design and product detail subject to change without notice.

**DOUBLE DOOR
ELEVATION DETAIL**

ROUGH OPENING
FRAME HEIGHT LESS 1"
FRAME WIDTH LESS 1-7/8"

NOMINAL WIDTH	DOOR OPENING		FRAME WIDTH	
	5/8" AST.	"Z" AST.	5/8" AST.	"Z" AST.
4'0"	48-15/32"	47-29/32"	51-19/32"	51-1/32"
5'0"	60-15/32"	59-29/32"	63-19/32"	63-1/32"
5'4"	64-15/32"	63-29/32"	67-19/32"	67-1/32"
5'8"	68-15/32"	67-29/32"	71-19/32"	71-1/32"
6'0"	72-15/32"	71-29/32"	75-19/32"	75-1/32"

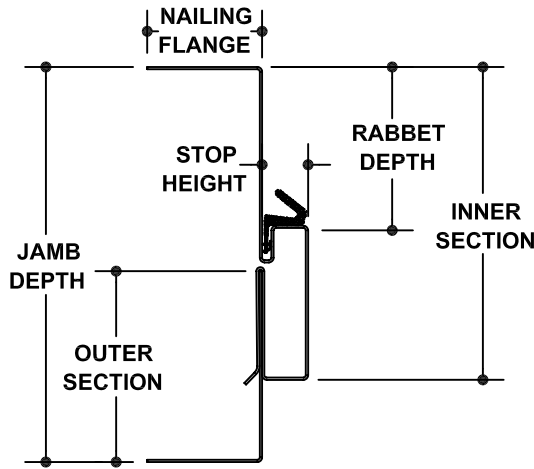


NOTE: 8'0" UNIT FEATURES 4TH HINGE, SEE TABLE FOR LOCATION

NOMINAL HEIGHT	DOOR OPENING		FRAME HEIGHT		HINGE PREP				CYLINDRICAL STRIKE	DEADBOLT STRIKE
	INSWING	OUTSWING/ADA	INSWING	OUTSWING/ADA	1ST	2ND	3RD	4TH		
6'8"	79-1/2"	79-7/16"	82-5/16"	81-1/2"	6-5/8"	37-5/8"	68-5/8"	N/A	46"	5-1/2"
7'0"	83-1/2"	83-7/16"	86-5/16"	85-1/2"	6-5/8"	37-5/8"	68-5/8"	N/A	46"	5-1/2"
8'0"	95-1/2"	95-7/16"	98-5/16"	97-1/2"	6-5/8"	32-5/8"	58-5/8"	84-5/8"	62"	5-1/2" OR 10-1/2"

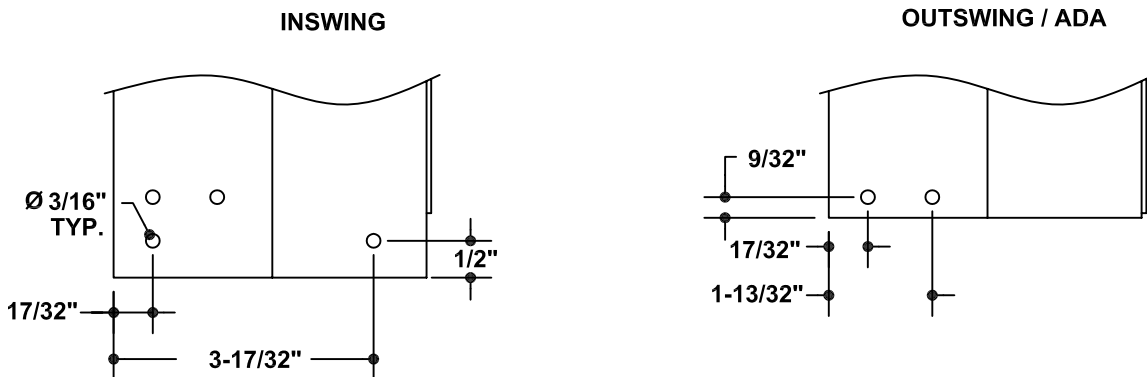
Our continuing program of product improvement makes specifications, design and product detail subject to change without notice.

FRAME SECTION



JAMB DEPTH	INNER SECTION	OUTER SECTION	RABBET DEPTH	NAILING FLANGE	STOP HEIGHT
4-1/2" - 5-1/2"	4-1/4"	1-7/8"	2-5/32"	1-9/16"	5/8"
5-1/2" - 6-1/2"	4-1/4"	2-7/8"	2-5/32"	1-9/16"	5/8"
6-1/2" - 7-1/2"	4-1/4"	3-7/8"	2-5/32"	1-9/16"	5/8"
7-1/2" - 8-1/2"	4-1/4"	4-7/8"	2-5/32"	1-9/16"	5/8"
8-1/2" - 9-1/2"	4-1/4"	5-7/8"	2-5/32"	1-9/16"	5/8"
9-1/2" - 10-1/2"	4-1/4"	6-7/8"	2-5/32"	1-9/16"	5/8"
10-1/2" - 11-1/2"	4-1/4"	7-7/8"	2-5/32"	1-9/16"	5/8"

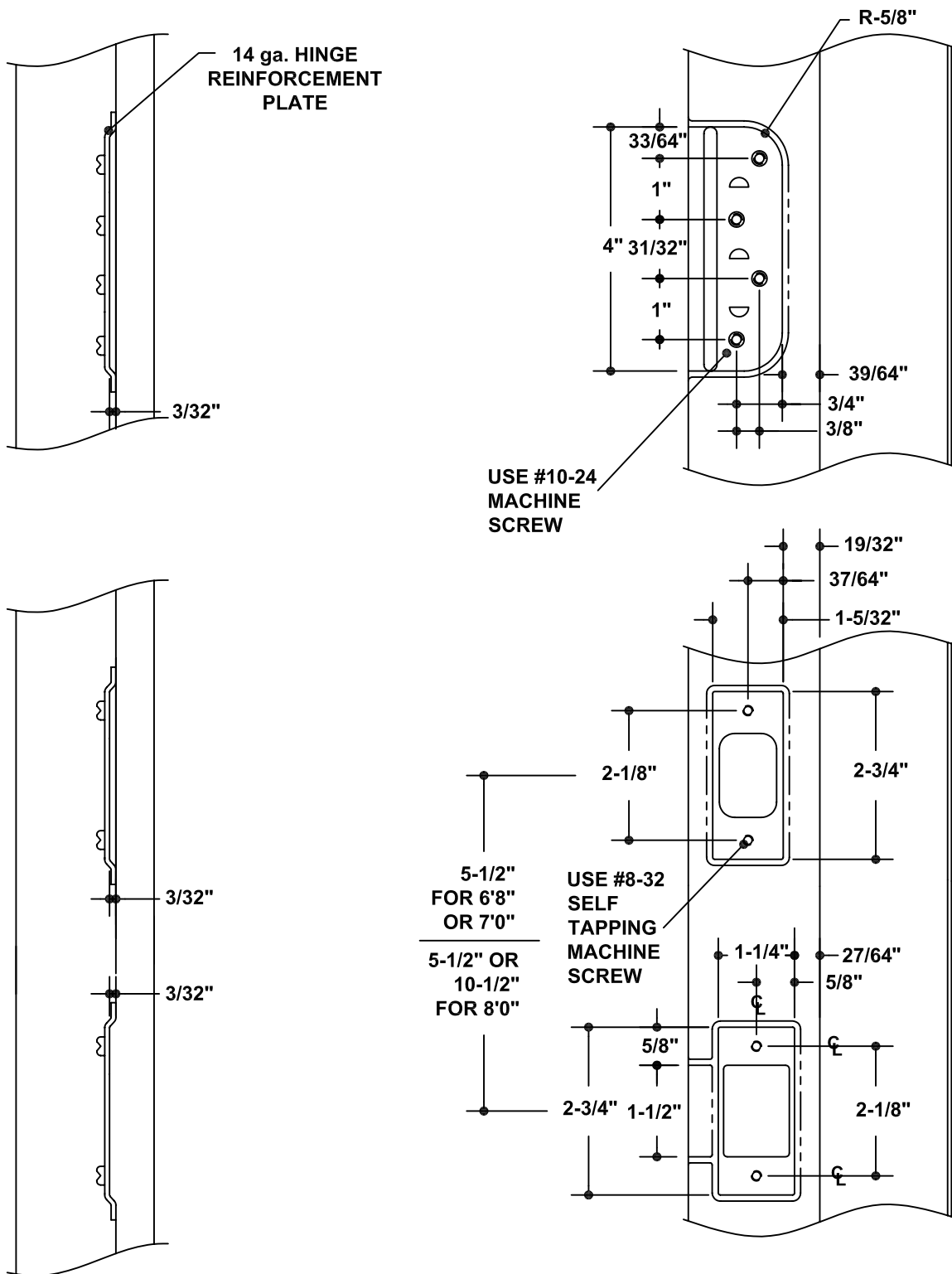
THRESHOLD PREP



NOTE: INSWING LENGTH INNER JAMB INCLUDES ATTACHMENT HOLES FOR OUTSWING / ADA THRESHOLD, CUT OFF 13/16" FROM BOTTOM OF JAMB LEGS TO USE FOR OUTSWING / ADA APPLICATION

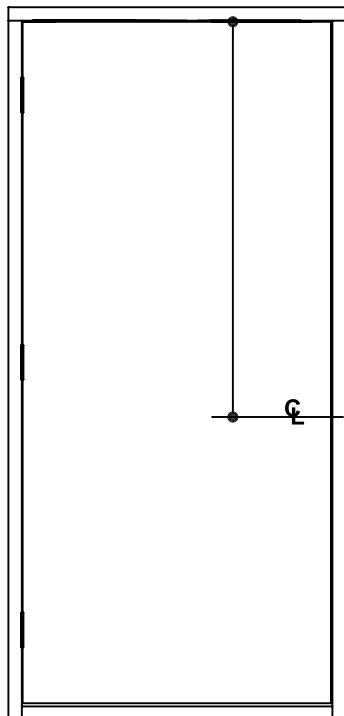
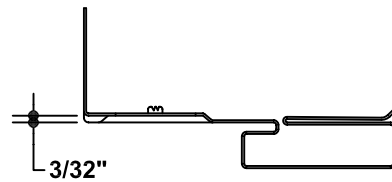
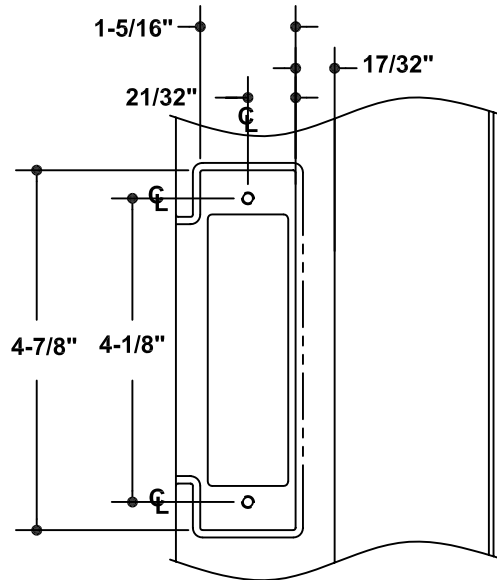
Our continuing program of product improvement makes specifications, design and product detail subject to change without notice.

**HINGE & STRIKE
PREP DETAIL**



Our continuing program of product improvement makes specifications, design and product detail subject to change without notice.

MORTISE STRIKE PREP

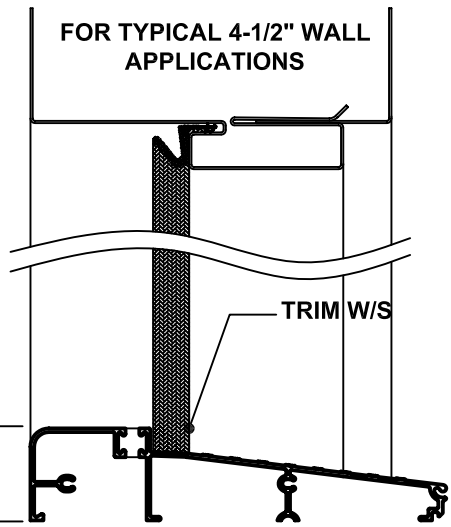


MORTISE STRIKE PREP

NOMINAL HEIGHT	VING CARD	ONITY (TESA)
6'8"	44-9/16"	43-13/16"
7'0"	48-9/16"	47-13/16"
8'0"	60-9/16"	59-13/16"

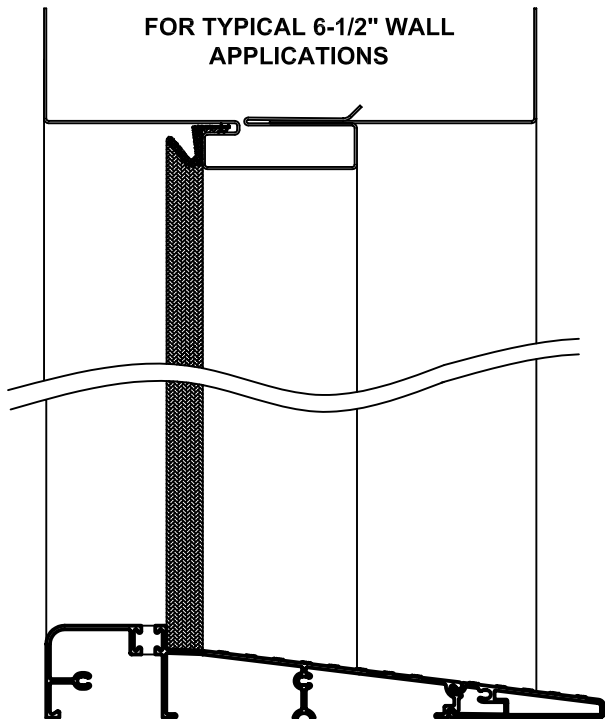
Our continuing program of product improvement makes specifications, design and product detail subject to change without notice.

THRESHOLD SECTION
INSWING



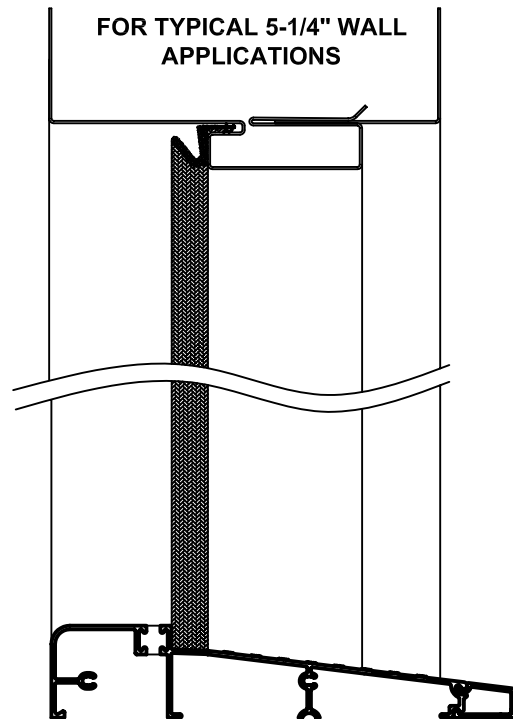
NOTE: ATTACH WITH (2) #6
X 1-1/2" PAN HEAD SHEET
METAL SCREWS

1-1/4"



FOR TYPICAL 6-1/2" WALL
APPLICATIONS

2" EXTENSION



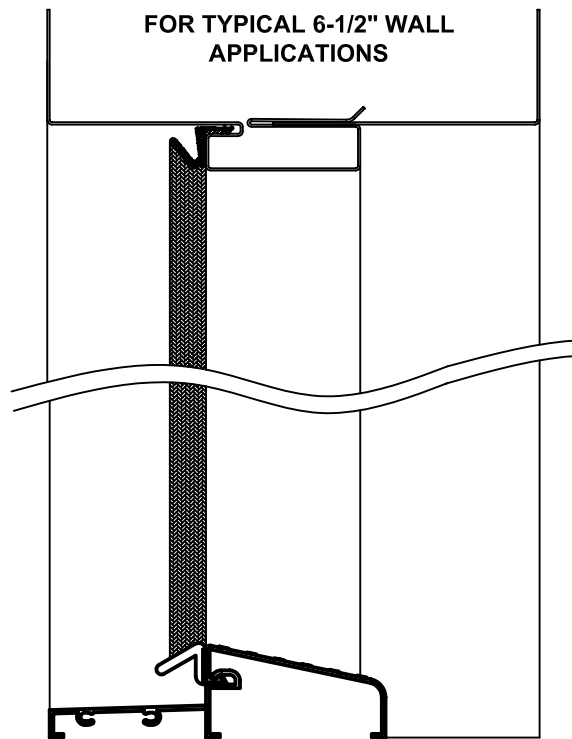
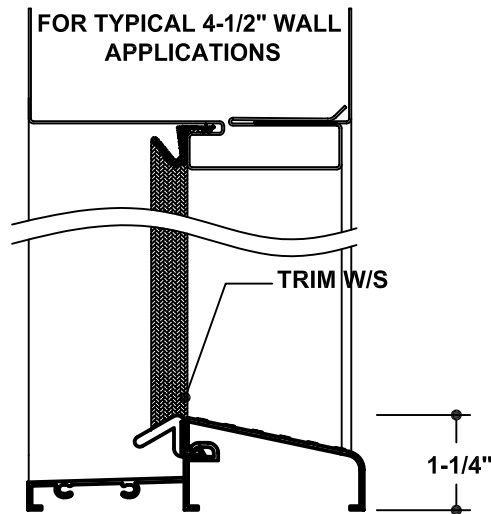
FOR TYPICAL 5-1/4" WALL
APPLICATIONS

3/4" EXTENSION

Our continuing program of product improvement makes specifications, design and product detail subject to change without notice.

THRESHOLD SECTION
OUTSWING

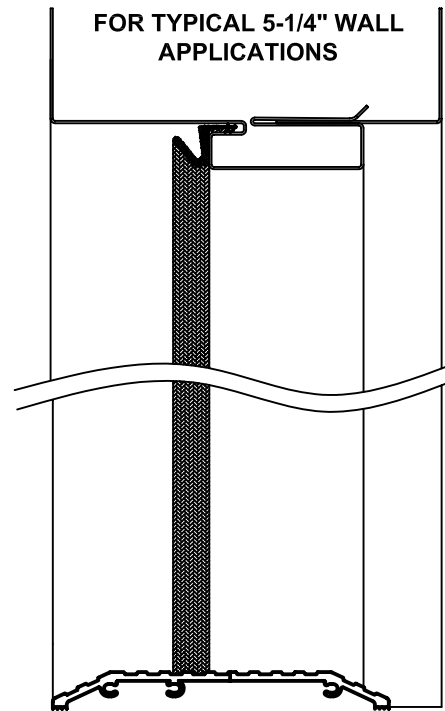
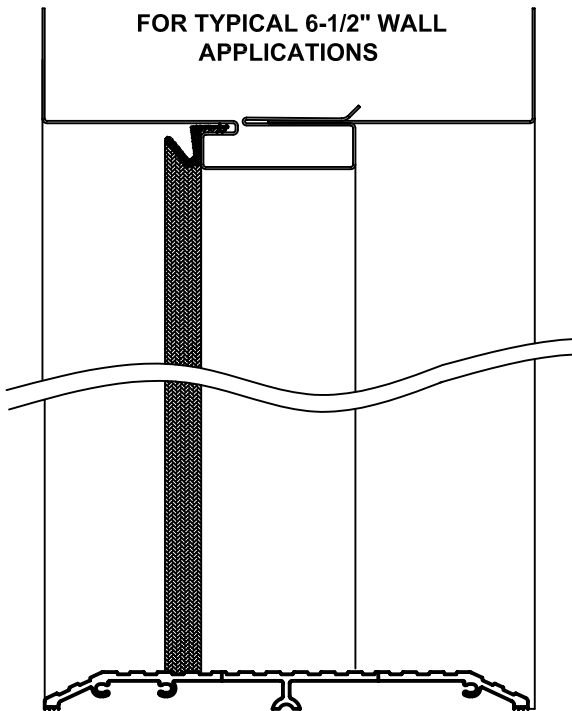
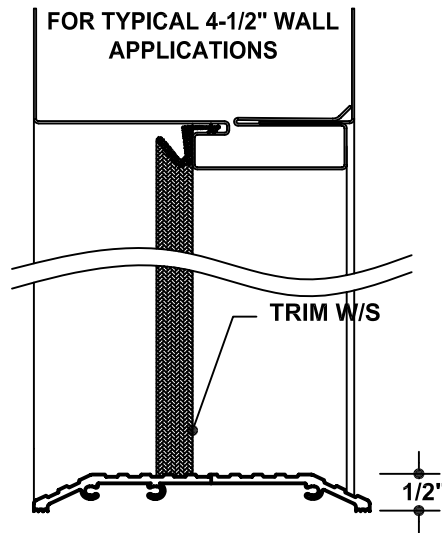
NOTE: ATTACH WITH (2) #6
X 1-1/2" PAN HEAD SHEET
METAL SCREWS



Our continuing program of product improvement makes specifications, design and product detail subject to change without notice.

**THRESHOLD SECTION
HANDICAP ACCESSIBLE**

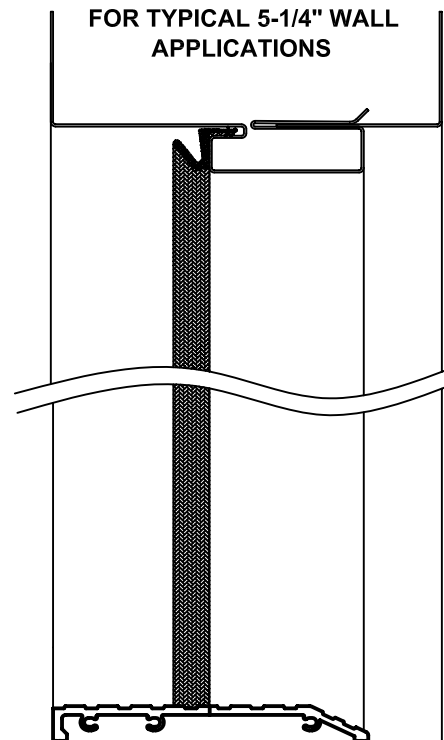
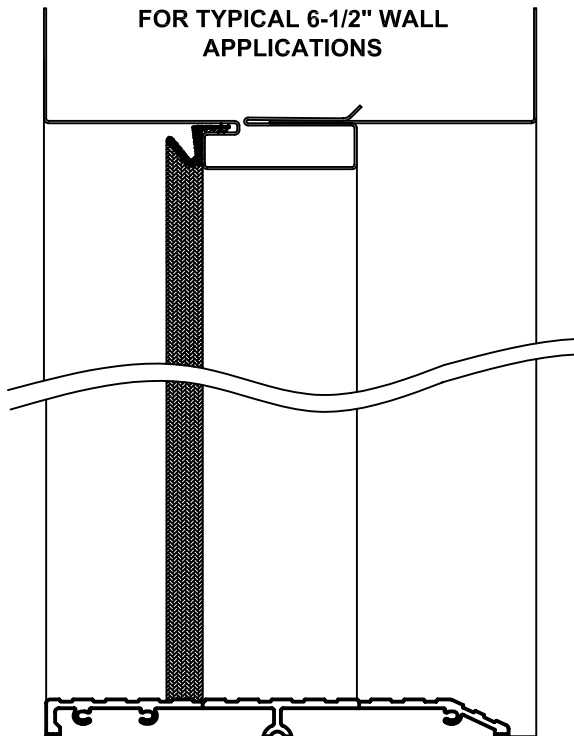
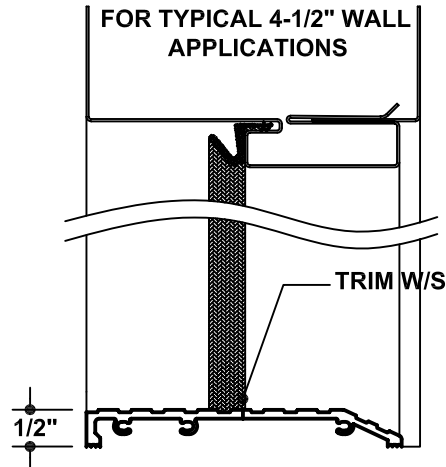
**NOTE: ATTACH WITH (3) #6
X 1-1/2" PAN HEAD SHEET
METAL SCREWS**



Our continuing program of product improvement makes specifications, design and product detail subject to change without notice.

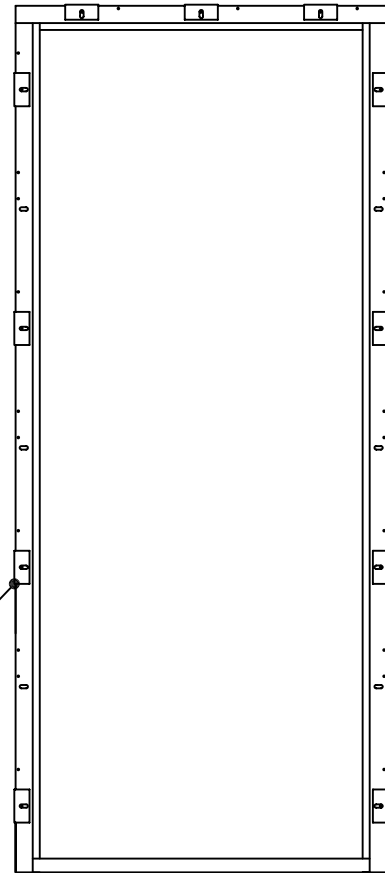
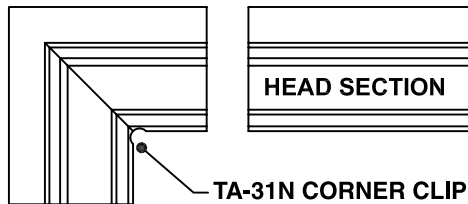
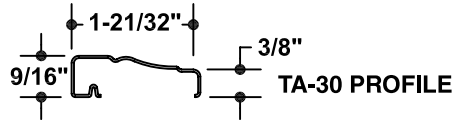
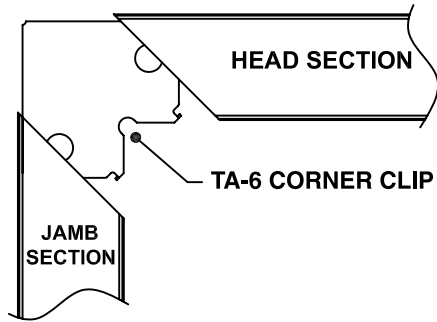
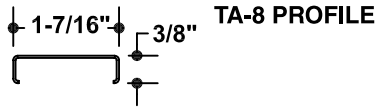
THRESHOLD SECTION
HANDICAP ACCESSIBLE
TILE FACED

NOTE: ATTACH WITH (3) #6
X 1-1/2" PAN HEAD SHEET
METAL SCREWS

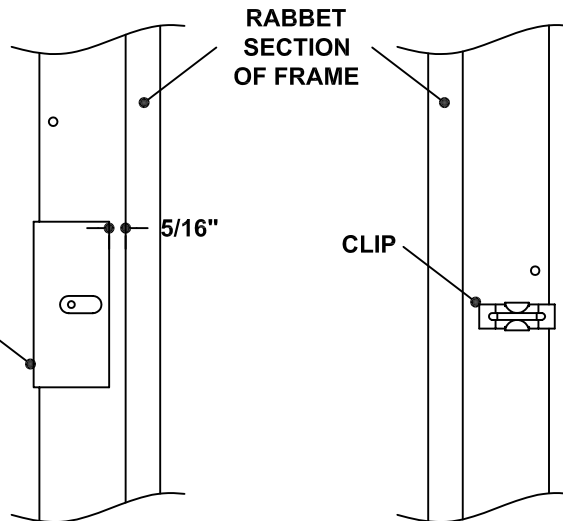


Our continuing program of product improvement makes specifications, design and product detail subject to change without notice.

STEEL CASING OPTIONS



TA-18 CASING CLIP (FIELD APPLIED)



FIELD APPLIED CASING CLIP

FACTORY APPLIED CASING CLIP

(4) PER JAMB; (3) PER HEAD UP TO 3'6" & (4) IF GREATER.

EVENLY SPACED AT 10-7/8" ON CENTER

Our continuing program of product improvement makes specifications, design and product detail subject to change without notice.