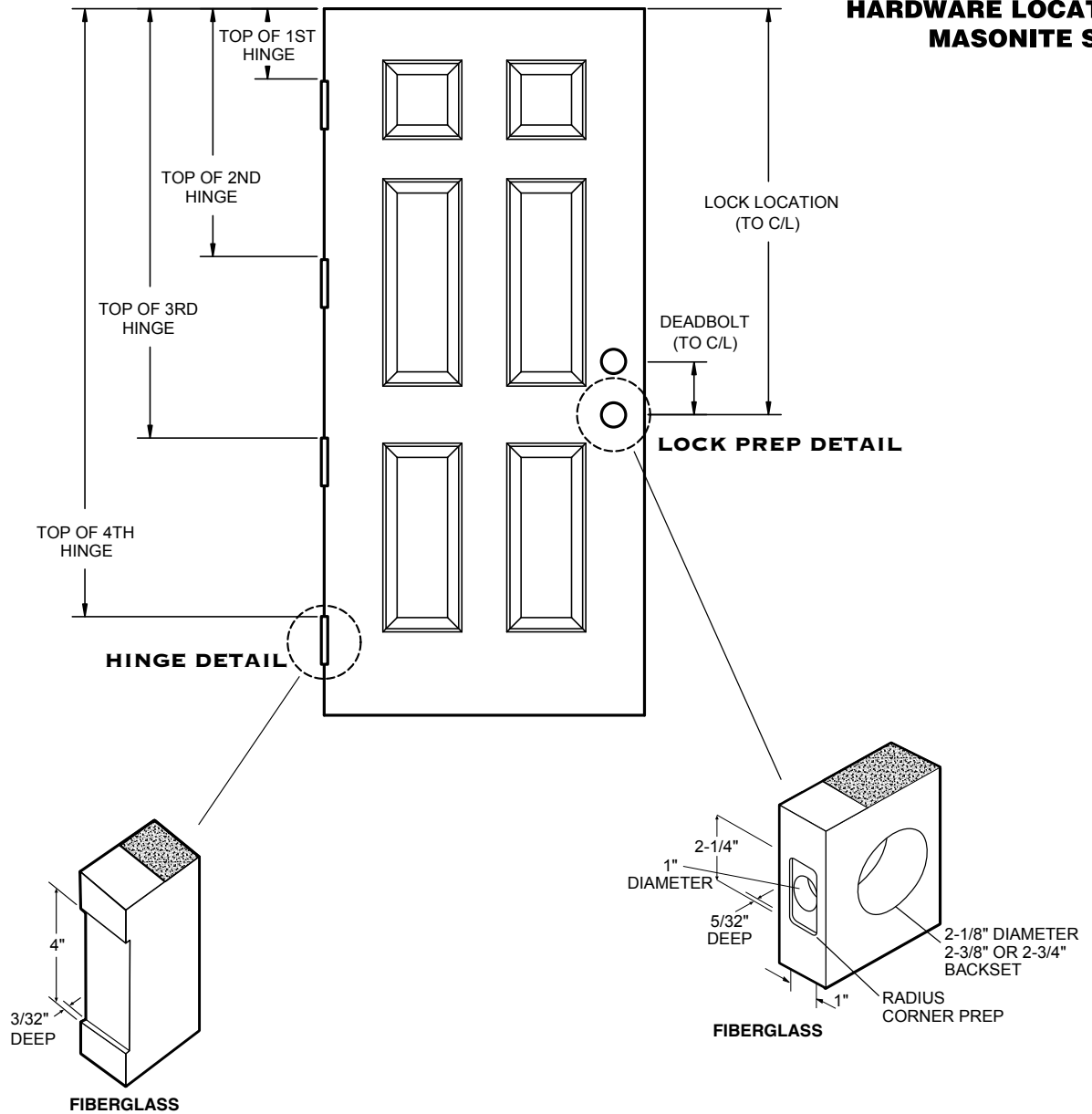


## HARDWARE LOCATION MASONITE SPEC

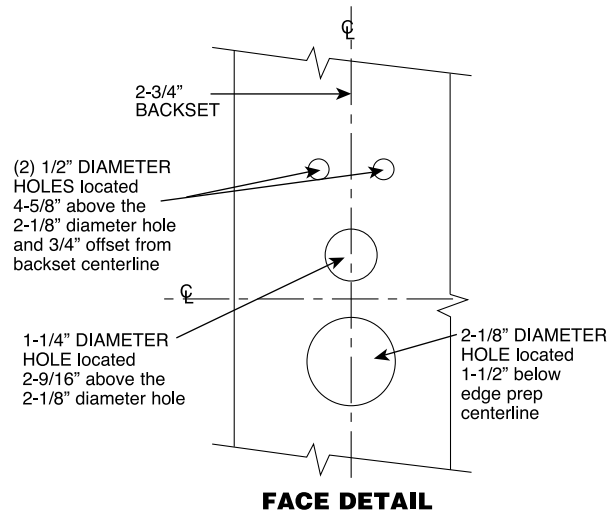
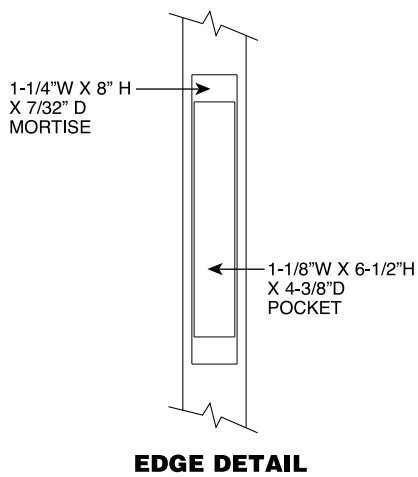
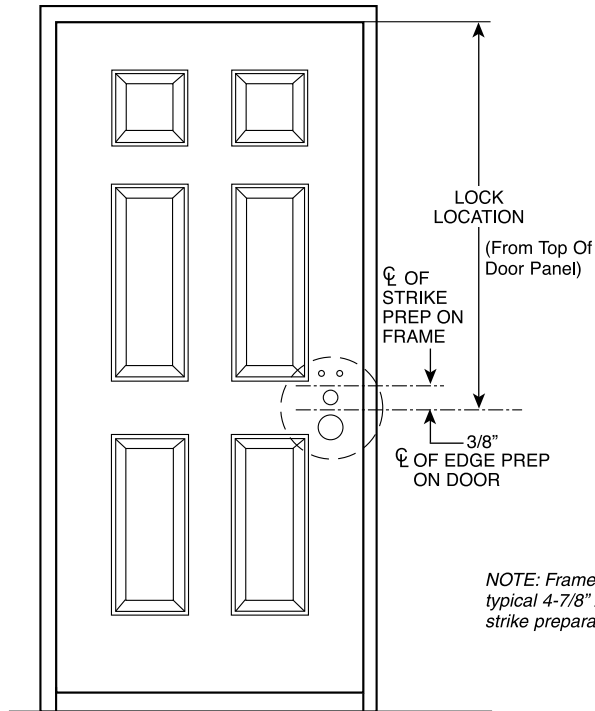


HINGE LOCATION					
Nominal Panel Height	Top Hinge Location	2nd Hinge Location	3rd Hinge Location	4th Hinge Location	Bottom
6'8"	6-1/2"	37-1/2"	68-1/2"	N/A	10-1/2"
8'0"	6-1/2"	32-1/2"	58-1/2"	84-1/2"	10-1/2"

LOCK LOCATION		
Nominal Panel Height	Lock Location	Deadbolt C/L
6'8"	45-7/8"	5-1/2"
8'0"	61-7/8"	5-1/2" or 10-1/2"

Our continuing program of product improvement makes specifications, design and product detail subject to change without notice.

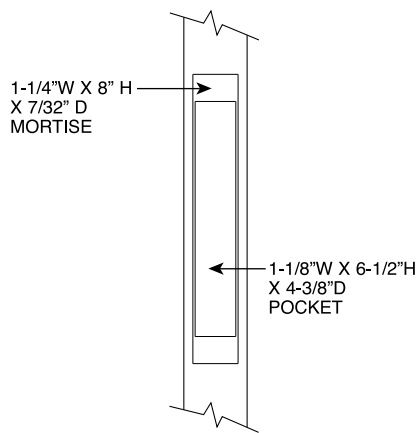
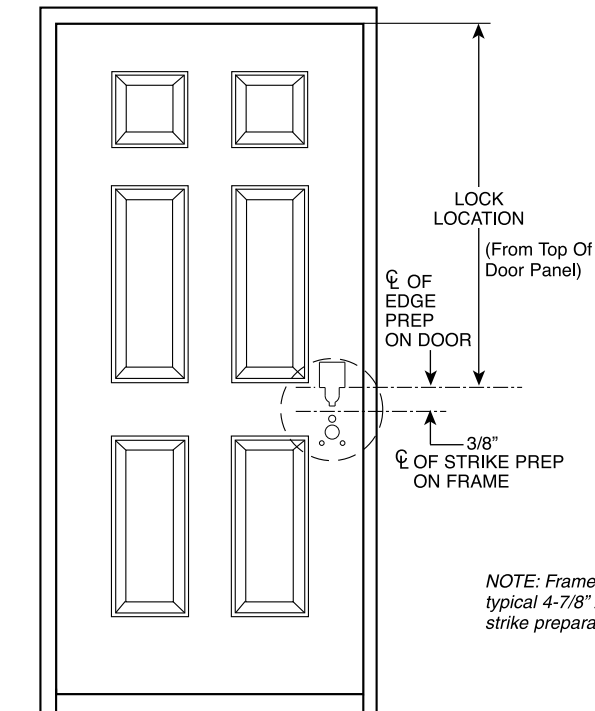
## HARDWARE LOCATION ONITY (formerly TESA) BRAND MORTISE LOCK



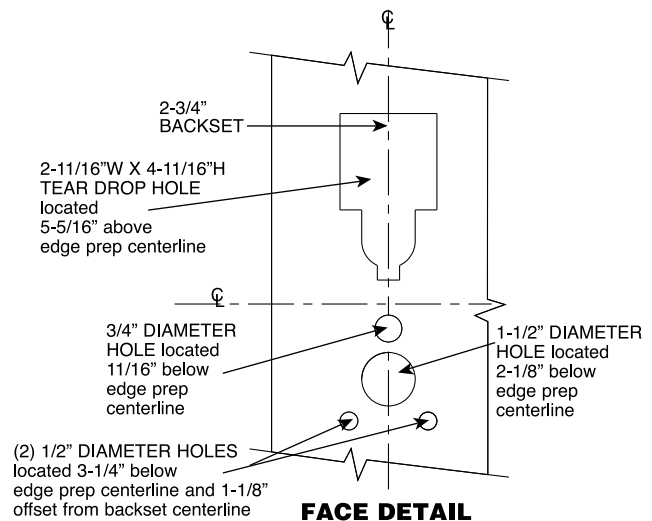
LOCK LOCATION	
Nominal Panel Height	Centerline of Edge Prep on Door
6'8"	44-1/16"
8'0"	60-1/16"

Our continuing program of product improvement makes specifications, design and product detail subject to change without notice.

## HARDWARE LOCATION VINGCARD BRAND MORTISE LOCK



**EDGE DETAIL**



**FACE DETAIL**

LOCK LOCATION	
Nominal Panel Height	Centerline of Edge Prep on Door
6'8"	44-1/16"
8'0"	60-1/16"