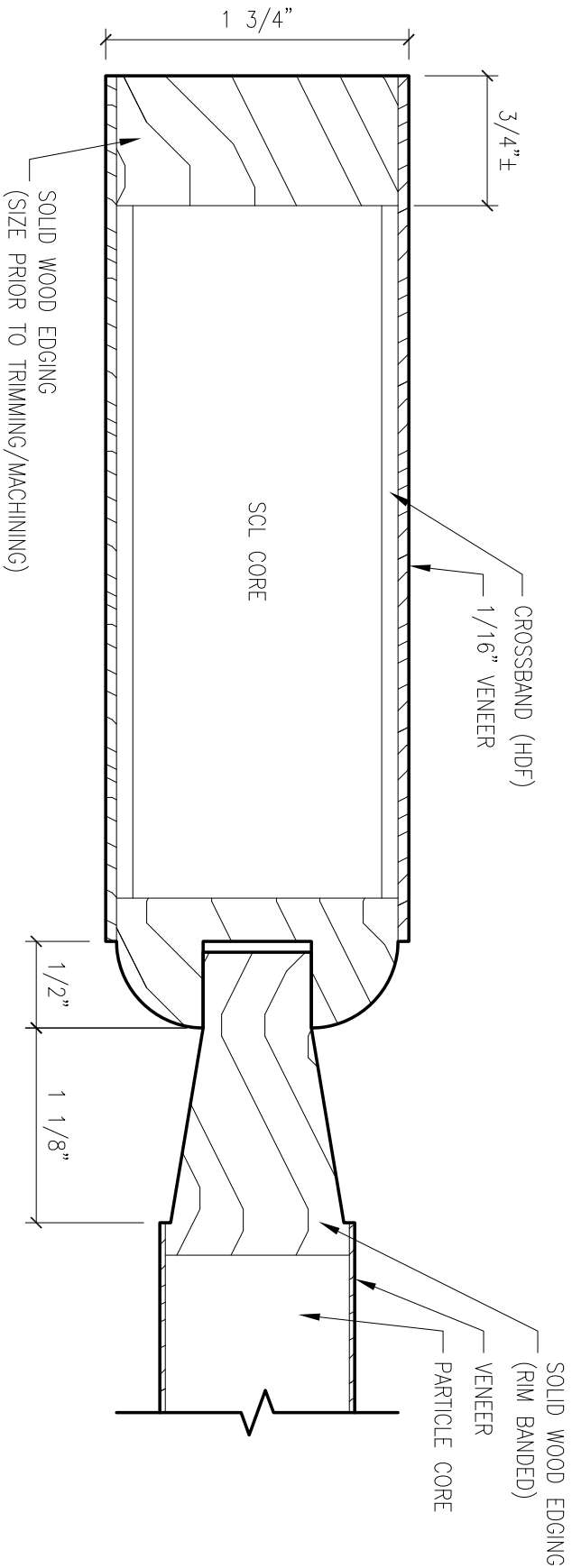


CONSTRUCTION DETAILS

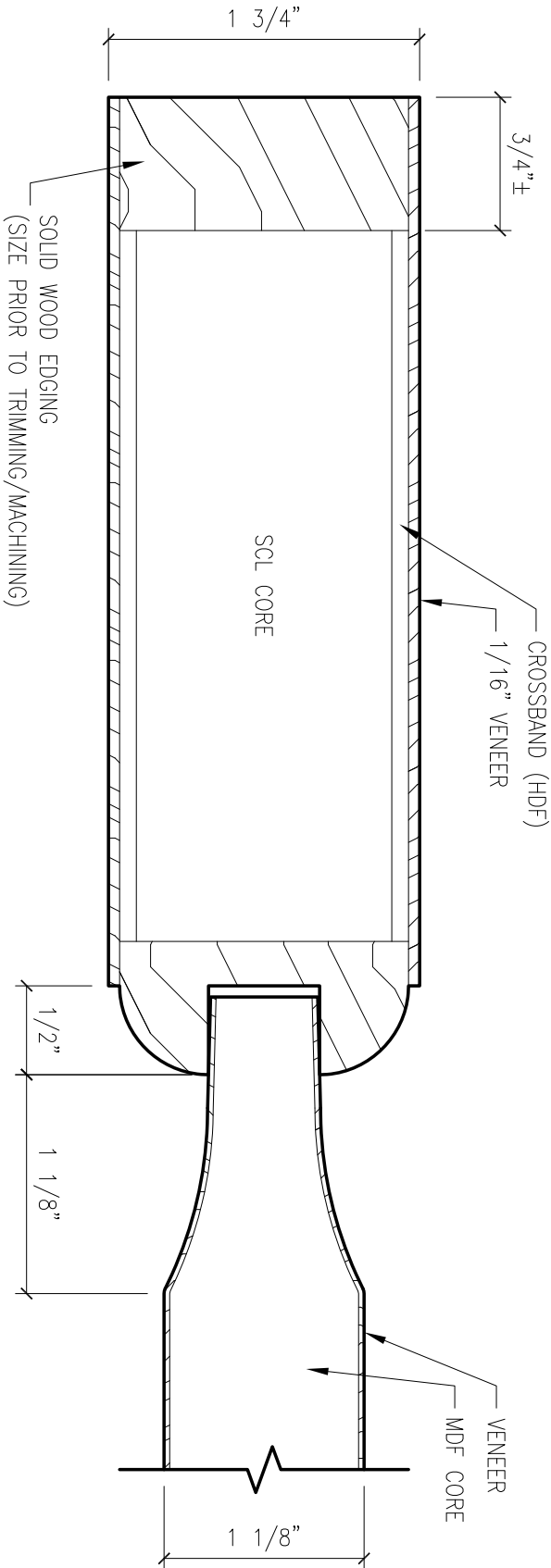
**INTERIOR STAIN GRADE DOORS
WITH RIM BANDED PANELS**



NOTE: STICKING PROFILE & PANEL VARIES BASED ON SELECTION

CONSTRUCTION DETAILS

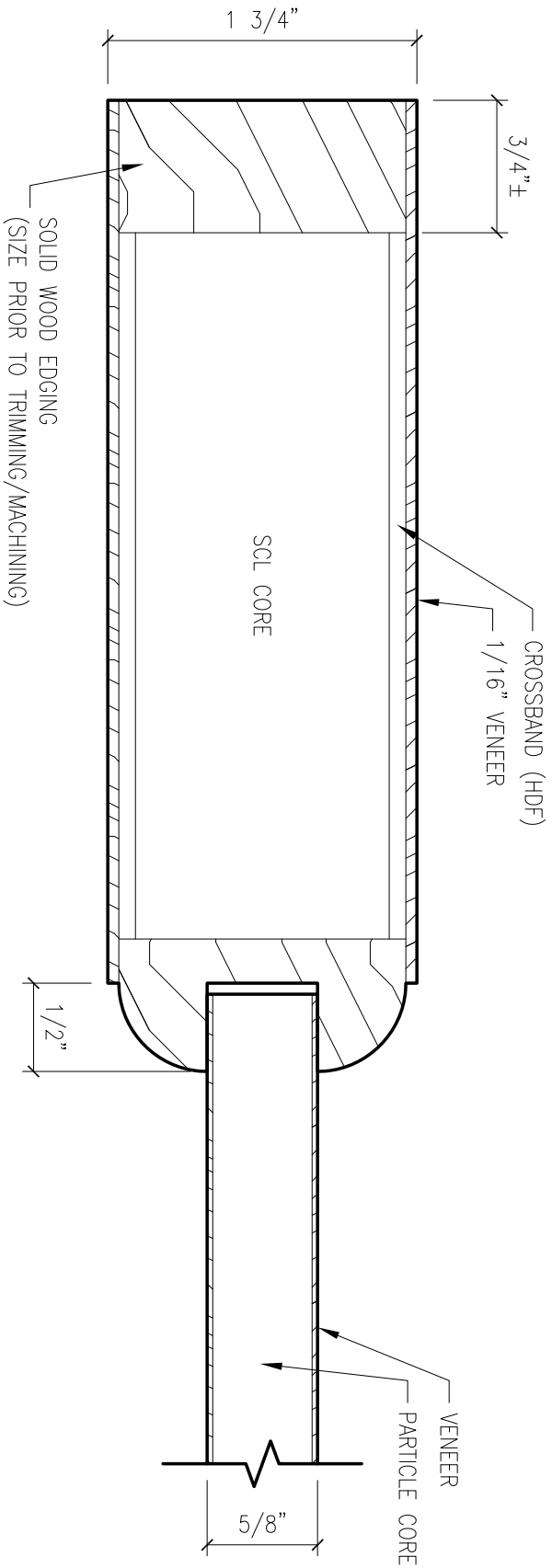
**INTERIOR STAIN GRADE DOORS
WITH FORMED VENEER PANEL**



NOTE: STICKING PROFILE & PANEL VARIES BASED ON SELECTION

CONSTRUCTION DETAILS

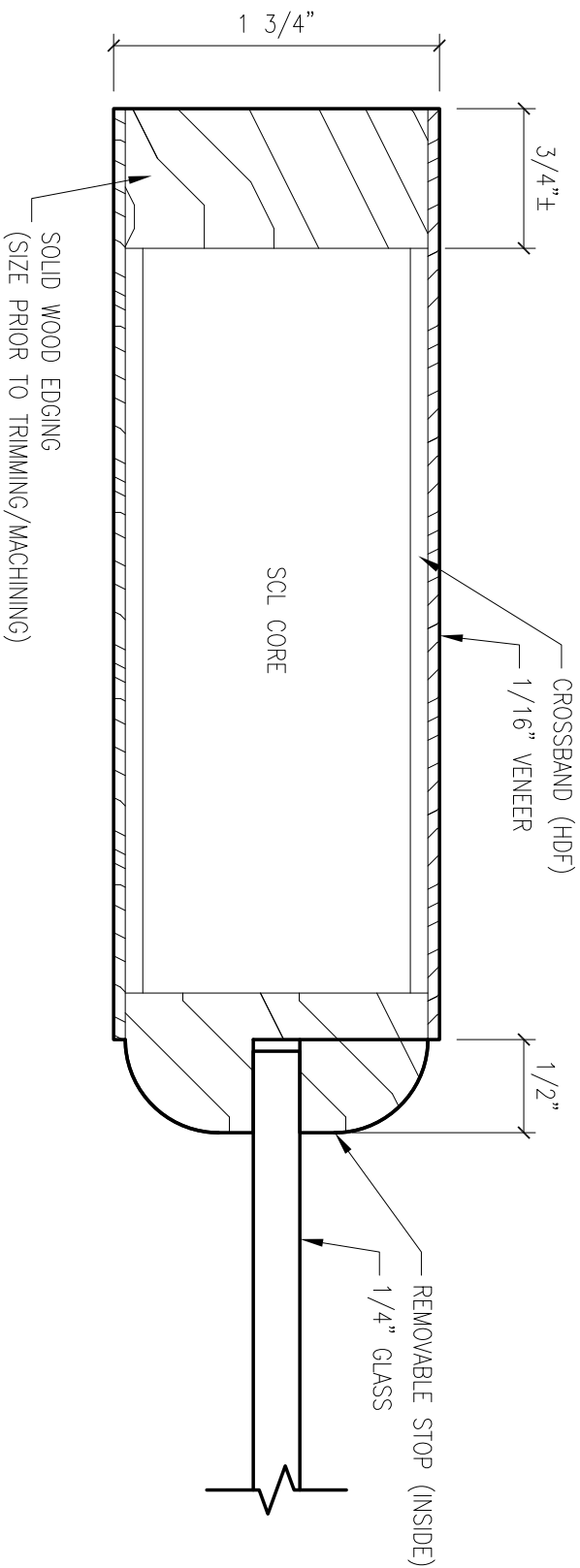
**INTERIOR STAIN GRADE DOORS
WITH FLAT PANEL**



NOTE: STICKING PROFILE & PANEL VARIES BASED ON SELECTION

CONSTRUCTION DETAILS

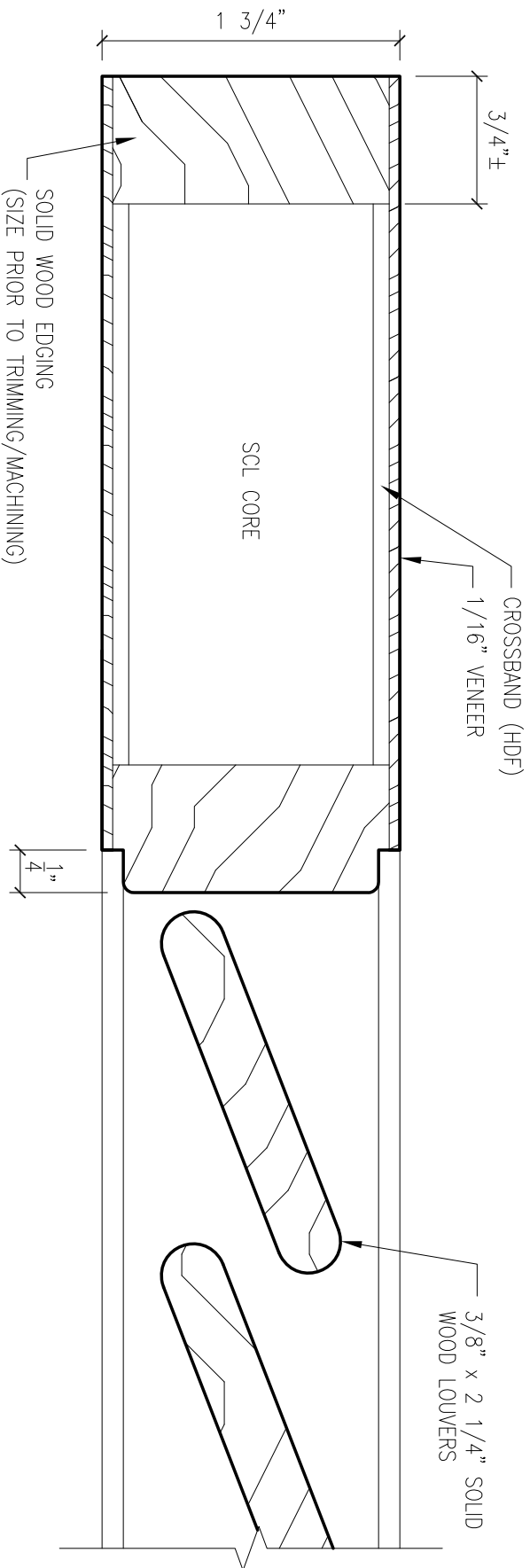
**INTERIOR STAIN GRADE DOORS
WITH 1/4" GLASS**



NOTE: STICKING PROFILE & PANEL VARIES BASED ON SELECTION

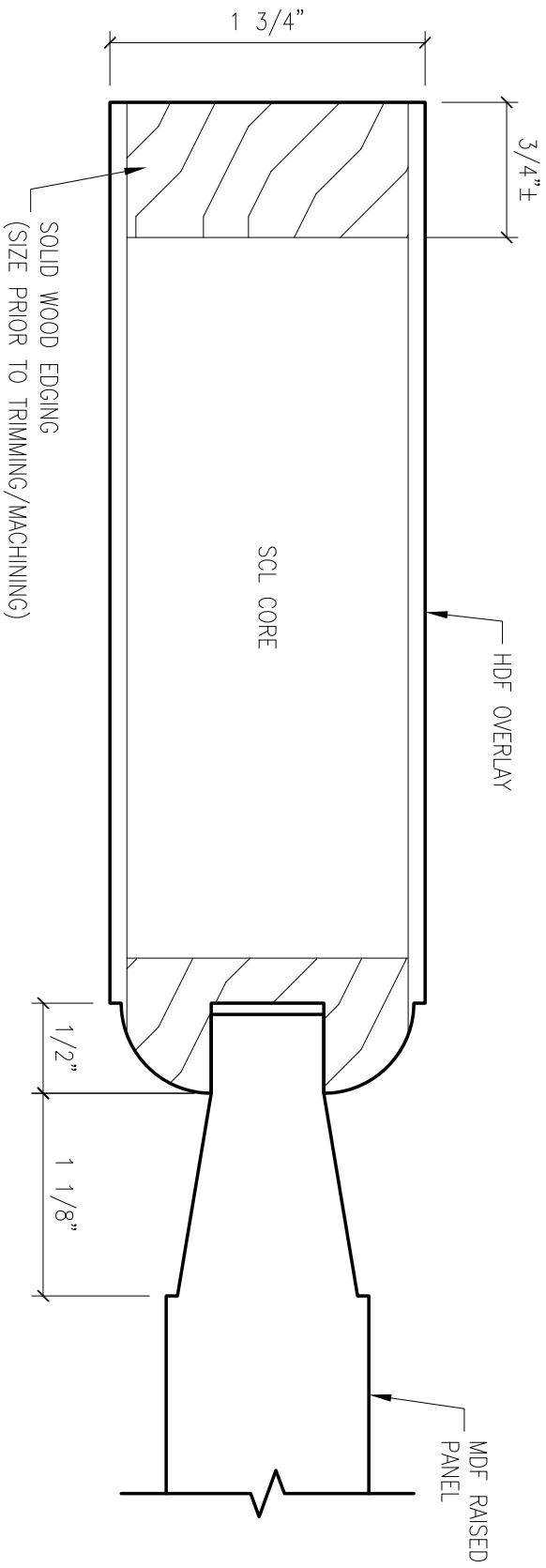
CONSTRUCTION DETAILS

INTERIOR STAIN GRADE DOORS
WITH SOLID WOOD LOUVERS



CONSTRUCTION DETAILS

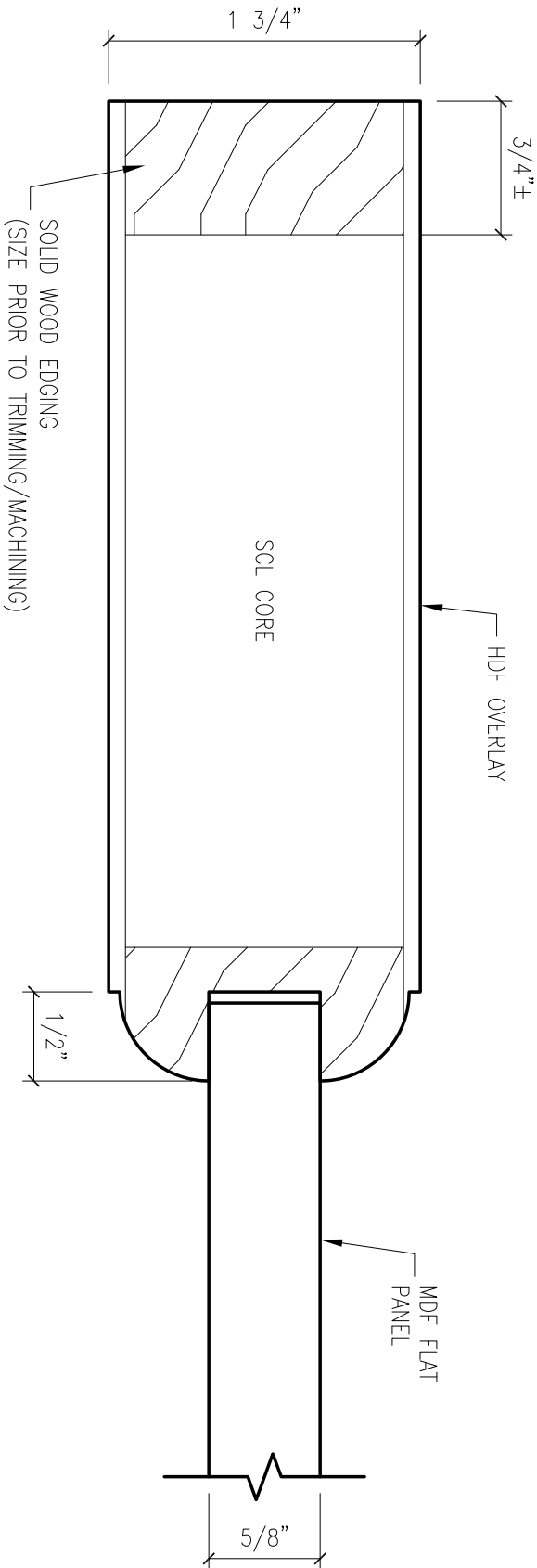
**INTERIOR PAINT GRADE DOORS
WITH RAISED PANELS**



NOTE: STICKING PROFILE & PANEL VARIES BASED ON SELECTION

CONSTRUCTION DETAILS

**INTERIOR PAINT GRADE DOORS
WITH FLAT PANELS**

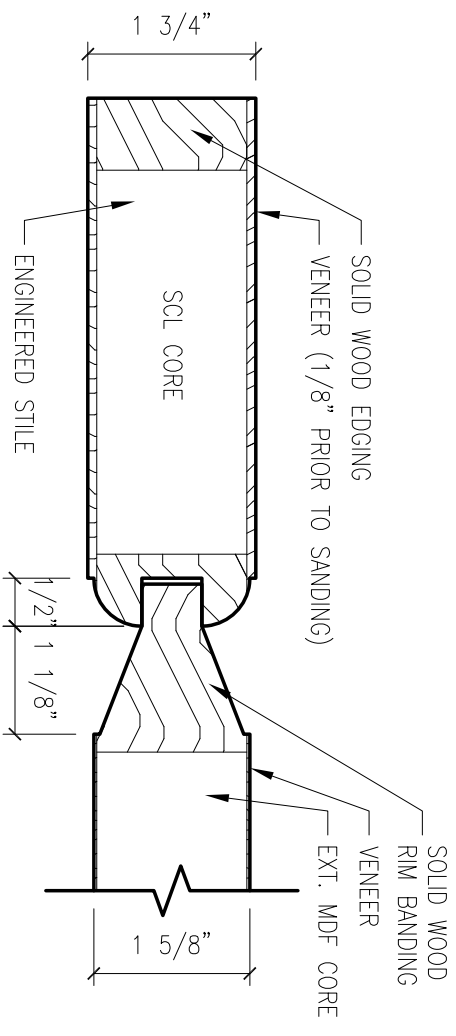
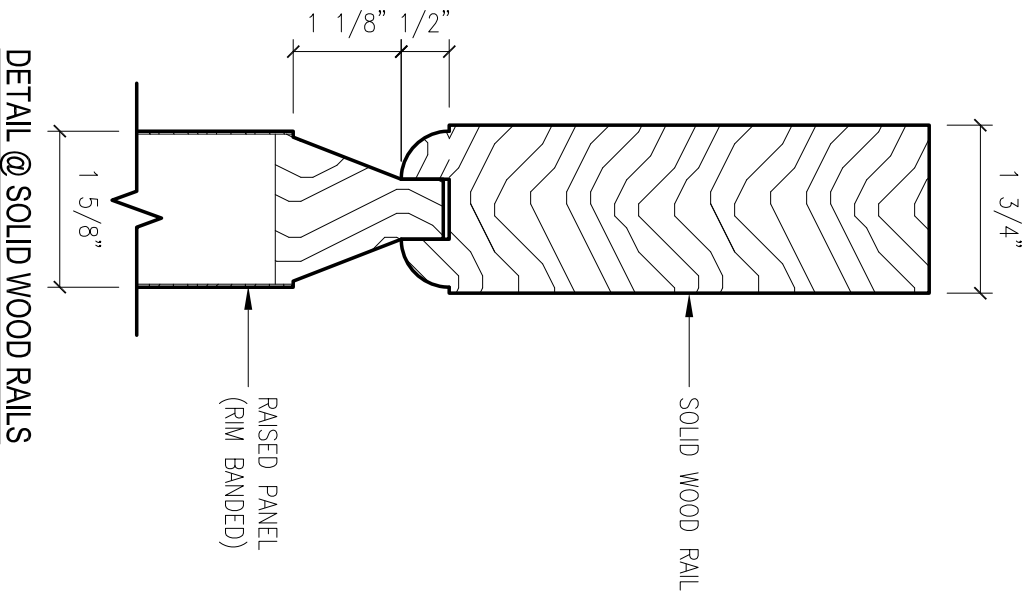


NOTE: STICKING PROFILE & PANEL VARIES BASED ON SELECTION

CONSTRUCTION DETAILS

ASPIRO™ SERIES | HARRING™

EXTERIOR STAIN GRADE DOORS
WITH RIM BANDED PANELS

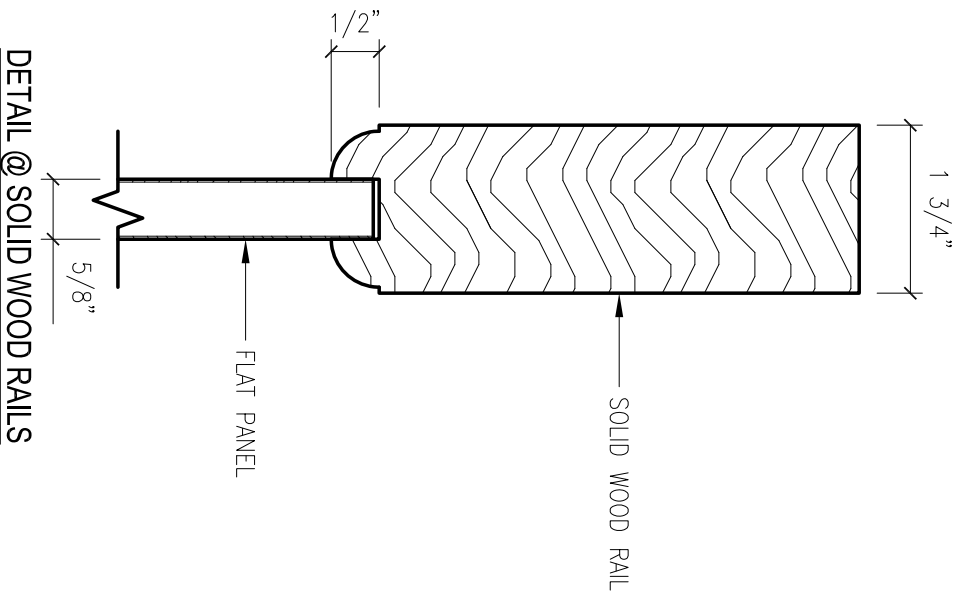


NOTE: TOP AND BOTTOM OF STILES ARE PLUGGED WITH SOLID WOOD

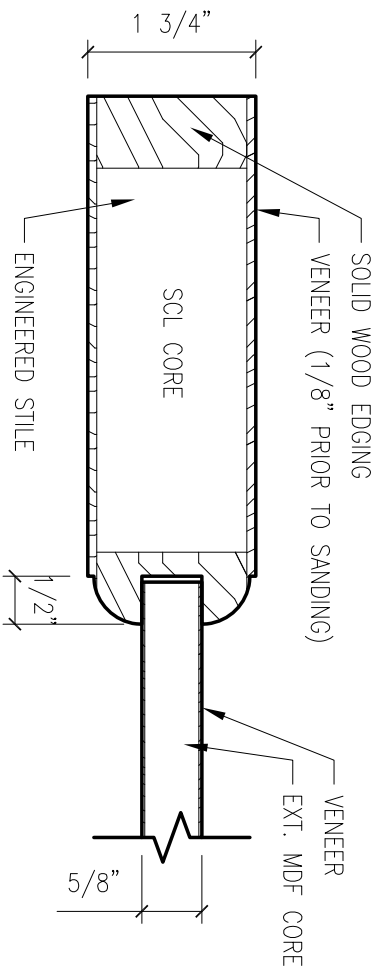
NOTE: STICKING PROFILE & PANEL VARIES BASED ON SELECTION

CONSTRUCTION DETAILS

EXTERIOR STAIN GRADE DOORS
WITH FLAT PANELS



DETAIL @ SOLID WOOD RAILS



DETAIL @ ENGINEERED STILES

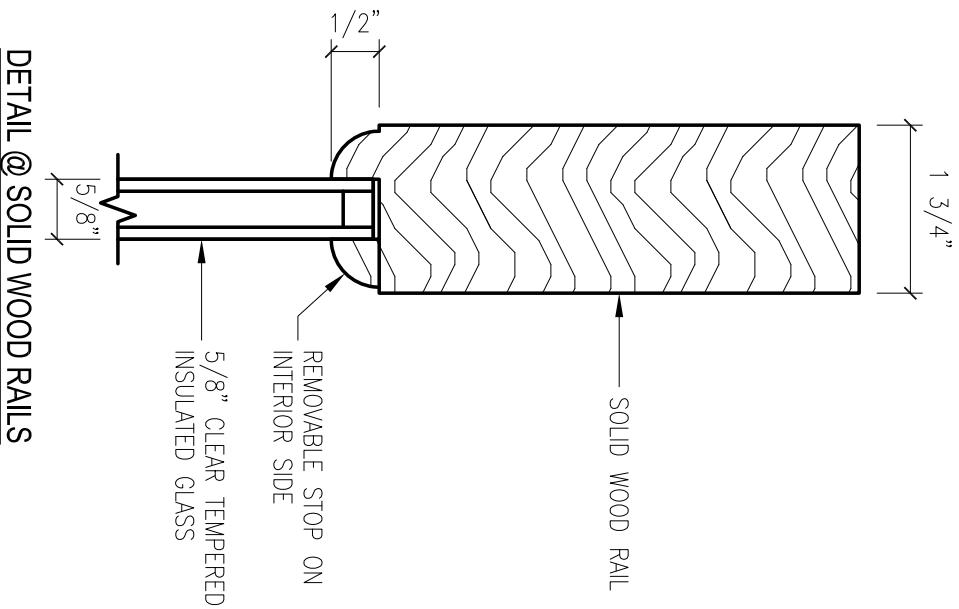
NOTE: TOP AND BOTTOM OF STILES
ARE PLUGGED WITH SOLID WOOD

NOTE: STICKING PROFILE & PANEL VARIES BASED ON SELECTION

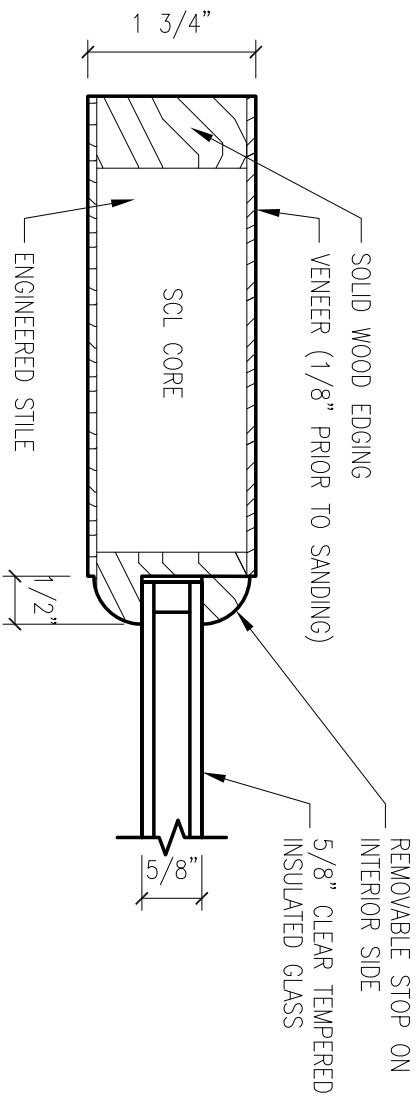
CONSTRUCTION DETAILS

ASPIRO™ SERIES | HARRING™

EXTERIOR STAIN GRADE DOORS
WITH INSULATED GLASS



DETAIL @ SOLID WOOD RAILS



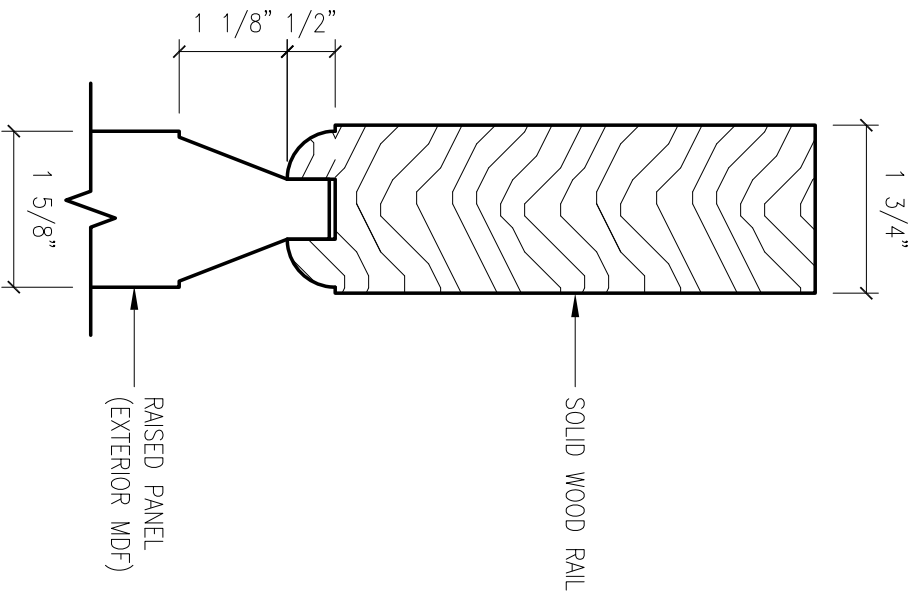
DETAIL @ ENGINEERED STILES

NOTE: TOP AND BOTTOM OF STILES ARE PLUGGED WITH SOLID WOOD

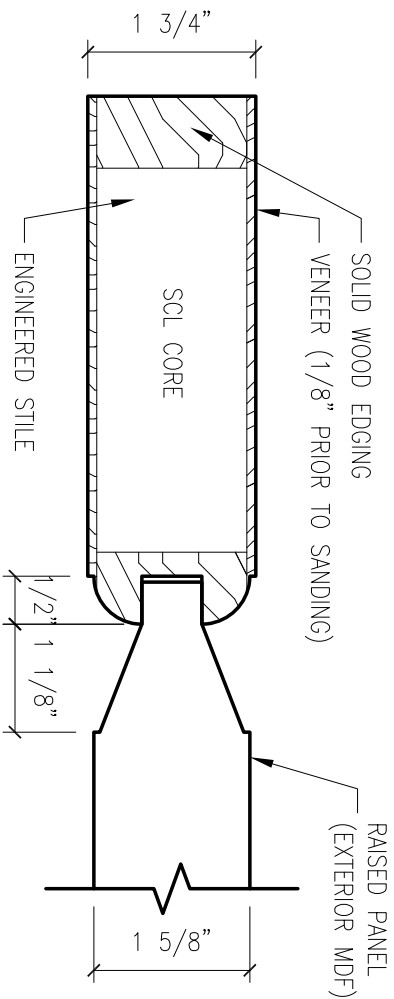
NOTE: STICKING PROFILE & GLAZING VARIES BASED ON SELECTION

CONSTRUCTION DETAILS

EXTERIOR PAINT GRADE DOORS
WITH RAISED PANELS



DETAIL @ SOLID WOOD RAILS



DETAIL @ ENGINEERED STILES

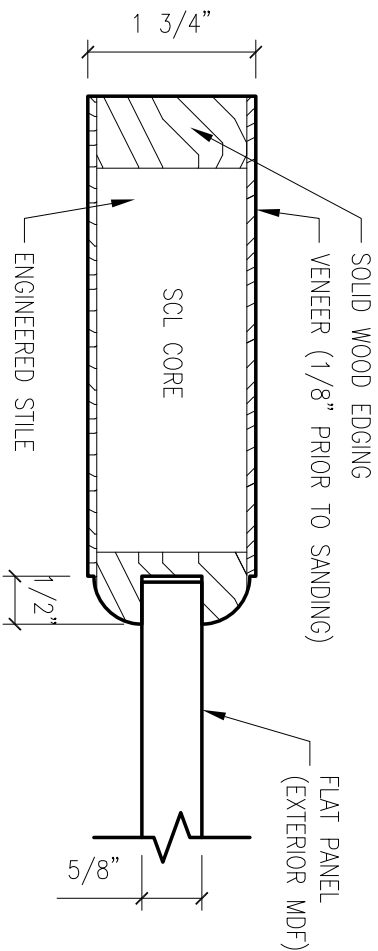
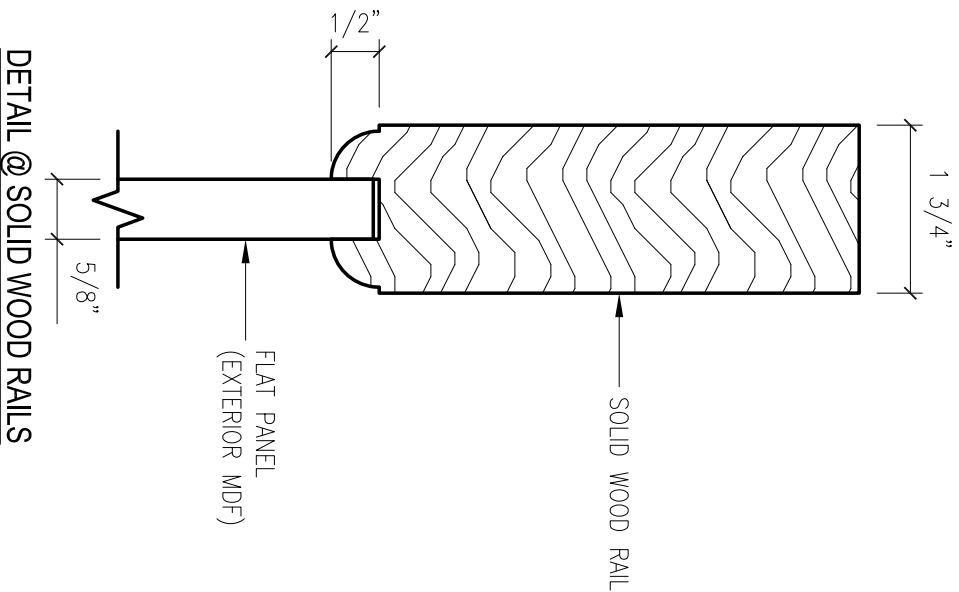
NOTE: TOP AND BOTTOM OF STILES
ARE PLUGGED WITH SOLID WOOD

NOTE: STICKING PROFILE & PANEL VARIES BASED ON SELECTION

CONSTRUCTION DETAILS

ASPIRO™ SERIES | HARRING™

EXTERIOR PAINT GRADE DOORS
WITH FLAT PANELS



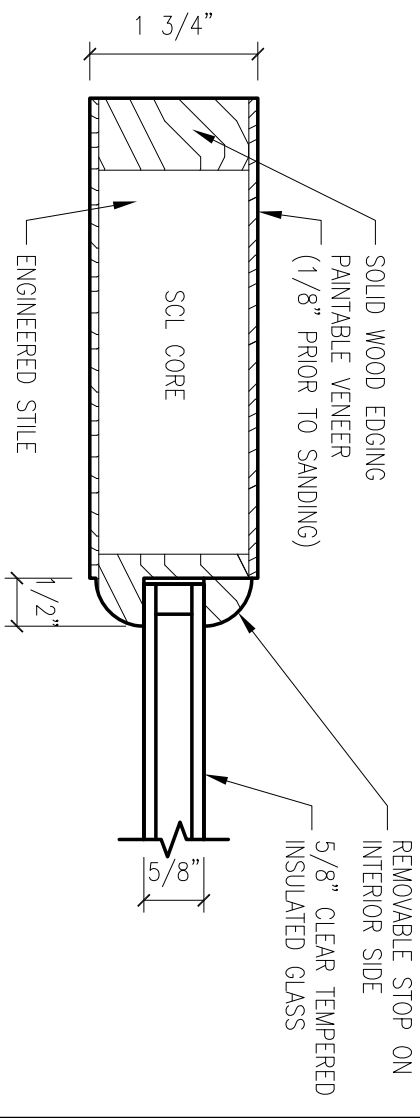
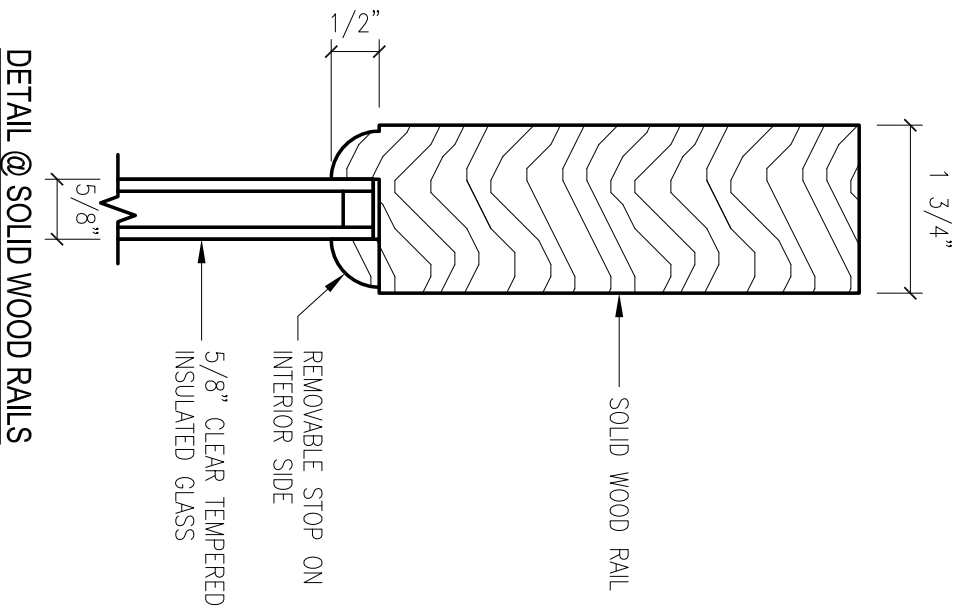
DETAIL @ ENGINEERED STILES
NOTE: TOP AND BOTTOM OF STILES
ARE PLUGGED WITH SOLID WOOD

NOTE: STICKING PROFILE & PANEL VARIES BASED ON SELECTION

CONSTRUCTION DETAILS

ASPIRO™ SERIES | HARRING™

EXTERIOR PAINT GRADE DOORS
WITH INSULATED GLASS



DETAIL @ ENGINEERED STILES

NOTE: TOP AND BOTTOM OF STILES
ARE PLUGGED WITH SOLID WOOD

NOTE: STICKING PROFILE & GLAZING VARIES BASED ON SELECTION

DETAIL @ SOLID WOOD RAILS