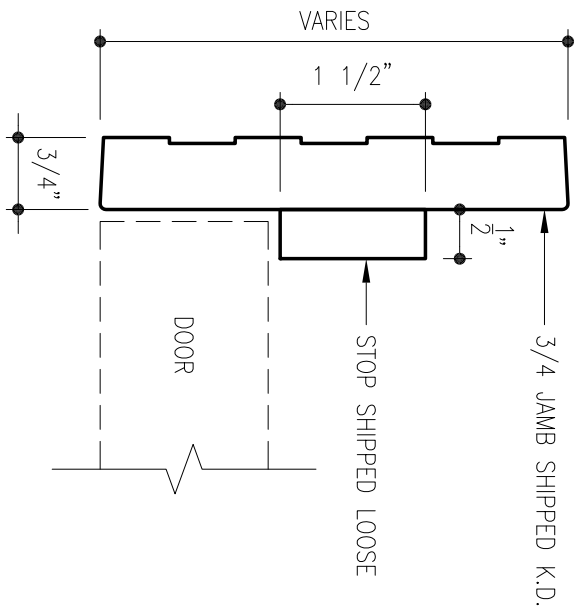
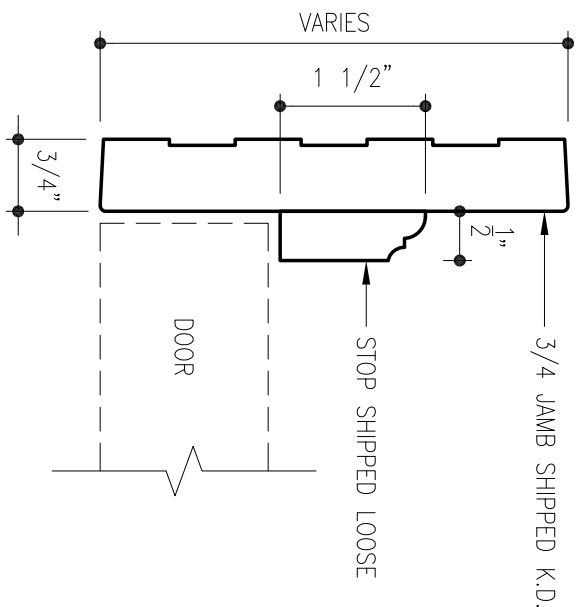


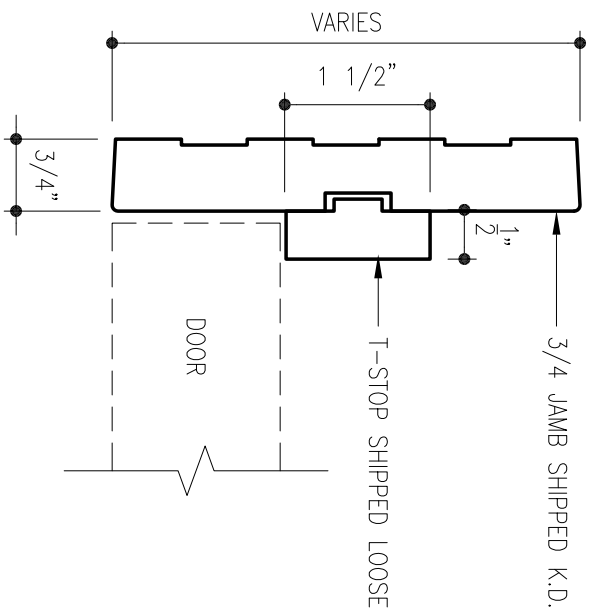
STANDARD INTERIOR JAMB DETAILS



3/4 INTERIOR JAMB
RECTANGULAR STOP

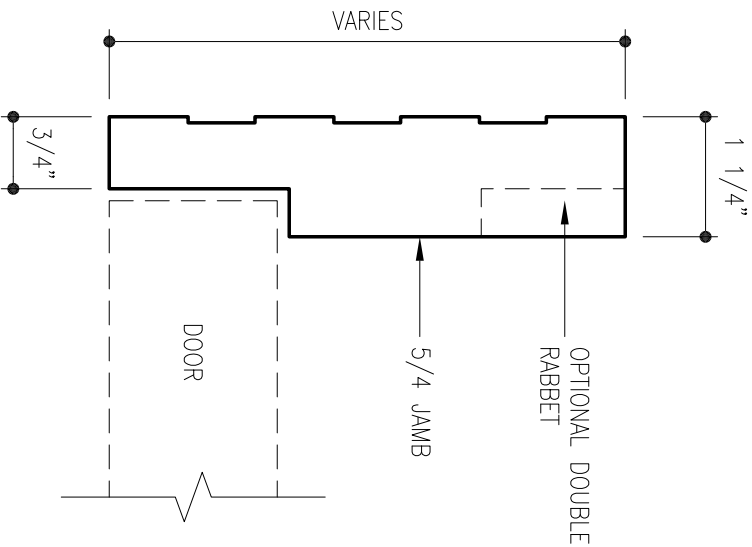


3/4 INTERIOR JAMB
COLONIAL STOP

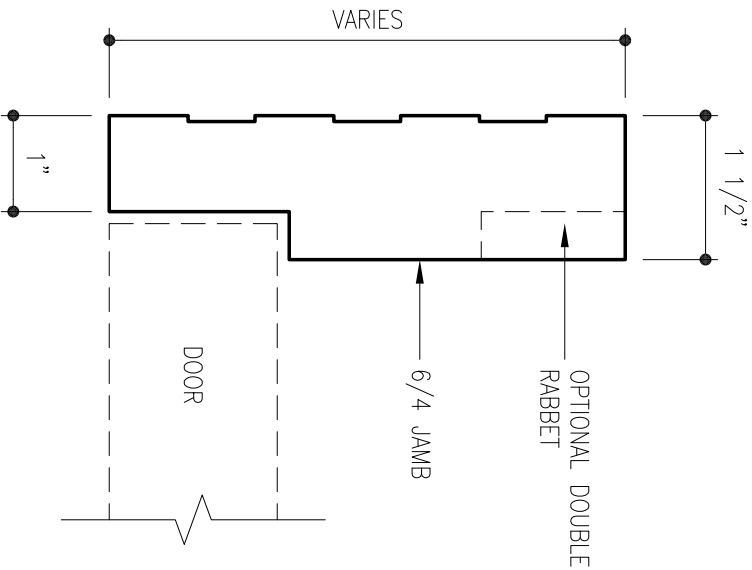


3/4 INTERIOR JAMB
T-STOP

STANDARD INTERIOR JAMB DETAILS



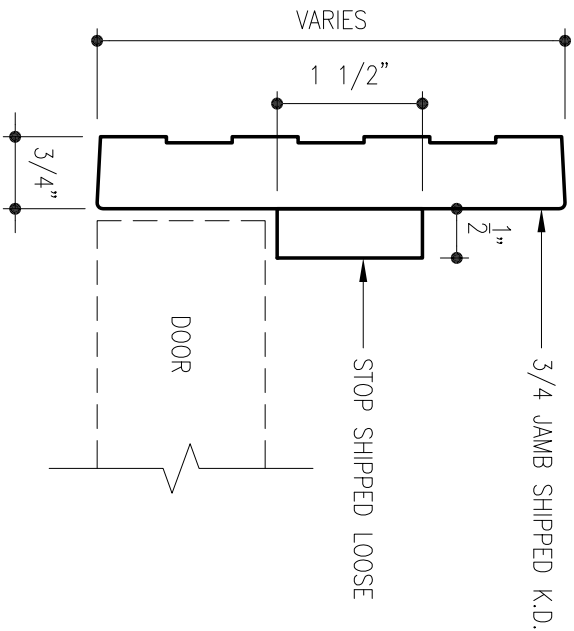
5/4 RABBETED JAMB



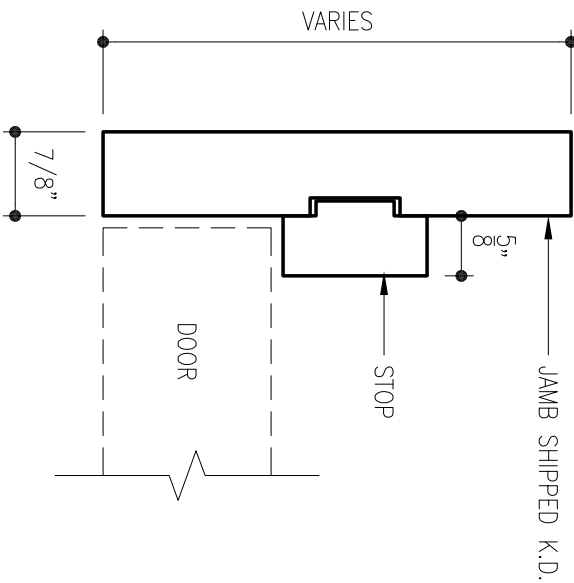
6/4 RABBETED JAMB

CONSTRUCTION DETAILS

STANDARD FIRE RATED JAMB DETAILS

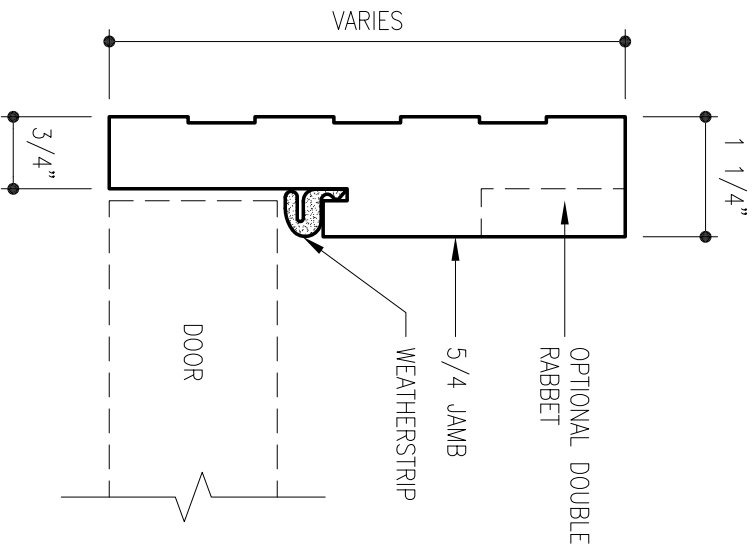


3/4" JAMB - 20 MINUTE

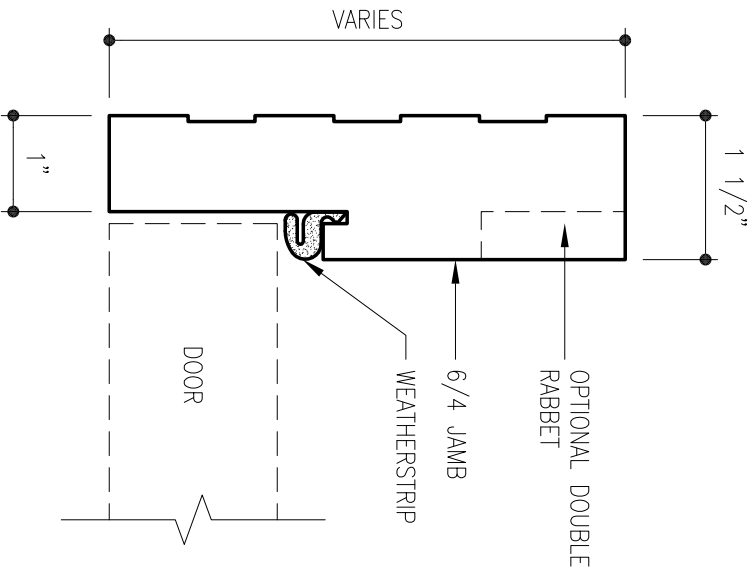


7/8" JAMB - 45 / 60 / 90 MINUTE

STANDARD EXTERIOR JAMB DETAILS



5/4 RABBETED JAMB



6/4 RABBETED JAMB