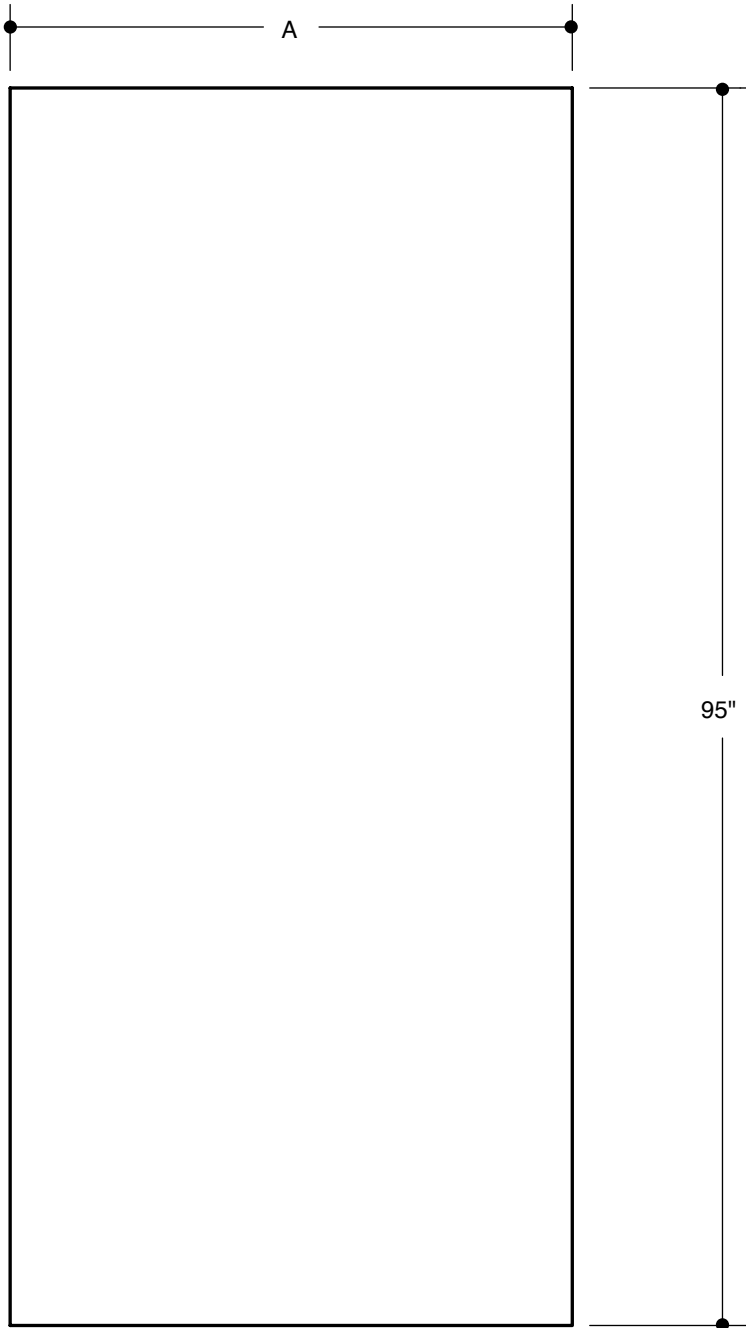


8'0" FLUSH

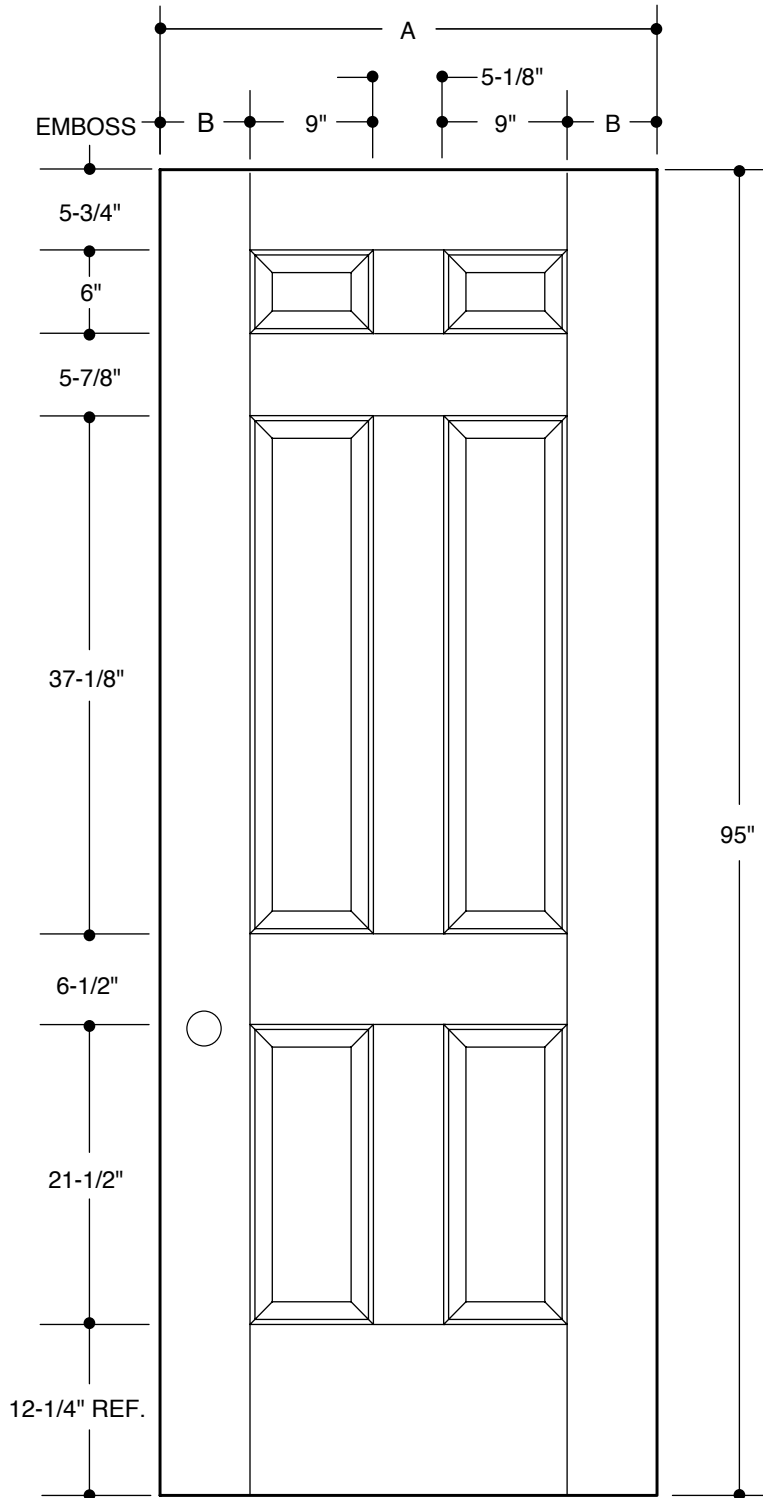


A	23-3/4"	2'0"
A	29-3/4"	2'6"
A	31-3/4"	2'8"
A	33-3/4"	2'10"
A	35-3/4"	3'0"

PART NO.	QTY.	DESCRIPTION
		OAKCRAFT® 8'0" WOOD-GRAIN TEXTURED FIBERGLASS

Our continuing program of product improvement makes specifications, design and product detail subject to change without notice.

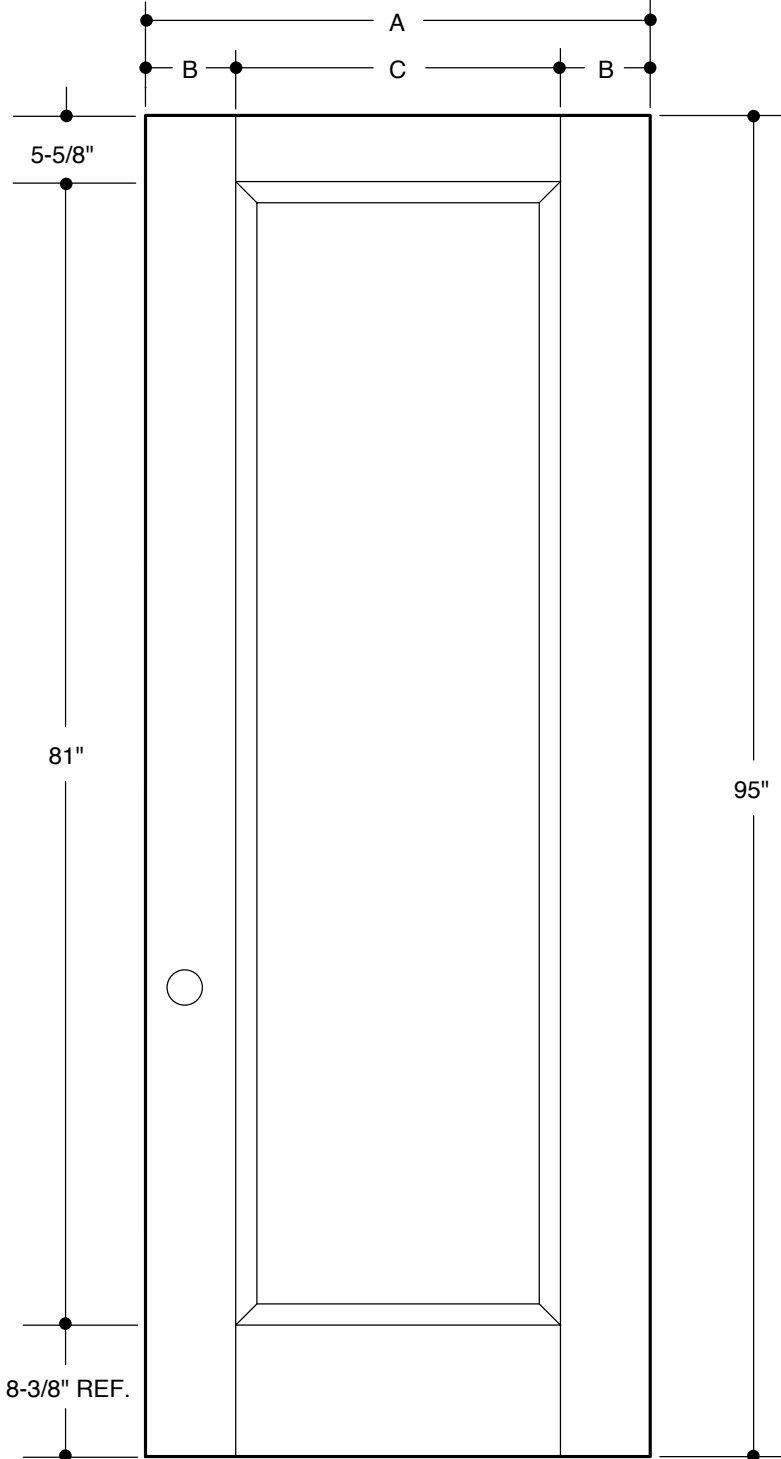
8'0" 6-PANEL



A	31-3/4"	2'8"	
B	4-5/16"		
A	33-3/4"	2'10"	
B	5-5/16"		
A	35-3/4"	3'0"	
B	6-5/16"		

PART NO.	QTY.	DESCRIPTION
		OAKCRAFT® 8'0" WOOD-GRAIN TEXTURED FIBERGLASS

Our continuing program of product improvement makes specifications, design and product detail subject to change without notice.



**8'0" FLUSH GLAZED
FULL LITE**

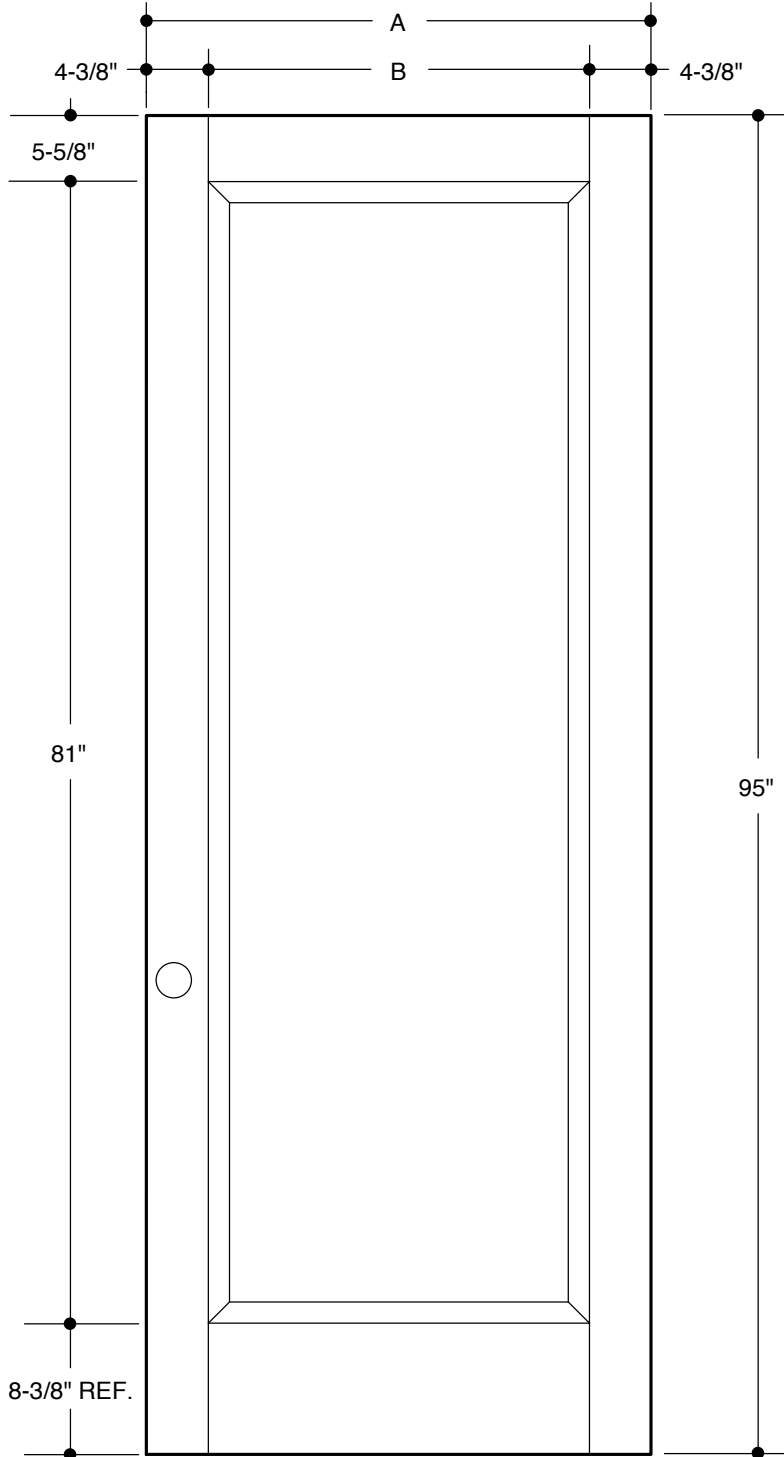
Requires 20" x 80" x 1" I.G. Insert	A	31-3/4"	2'8"
	B	5-3/8"	
	C	21"	
Requires 22" x 80" x 1" I.G. Insert	A	33-3/4"	2'10"
	B	5-3/8"	
	C	23"	
Requires 22" x 80" x 1" I.G. Insert	A	35-3/4"	3'0"
	B	6-3/8"	
	C	23"	

Please Note:

1. Available as factory glazed (see literature for market specific offering).
2. Available as open (see charted information for appropriate I.G. insert size).
3. Available as ADA compliant with 4-3/4" top rail and 9-1/4" bottom rail.

PART NO.	QTY.	DESCRIPTION
		OAKCRAFT® 8'0" WOOD-GRAIN TEXTURED FIBERGLASS

Our continuing program of product improvement makes specifications, design and product detail subject to change without notice.



**8'0" NARROW STILE
FLUSH GLAZED FULL LITE**

Requires 20" x 80" x 1" I.G. Insert	A	29-3/4"	2'6"
	B	21"	
Requires 22" x 80" x 1" I.G. Insert	A	31-3/4"	2'8"
	B	23"	
Requires 26" x 80" x 1" I.G. Insert	A	35-3/4"	3'0"
	B	27"	

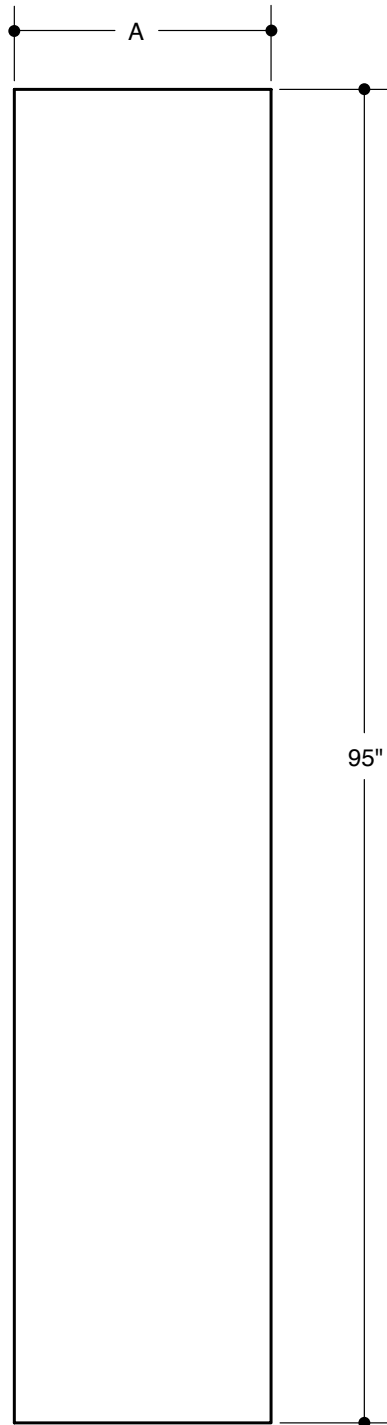
Please Note:

1. Available as factory glazed (see literature for market specific offering).
2. Available as open (see charted information for appropriate I.G. insert size).
3. Available as ADA compliant with 4-3/4" top rail and 9-1/4" bottom rail.

PART NO.	QTY.	DESCRIPTION
		OAKCRAFT® 8'0" WOOD-GRAIN TEXTURED FIBERGLASS

Our continuing program of product improvement makes specifications, design and product detail subject to change without notice.

8'0" FLUSH

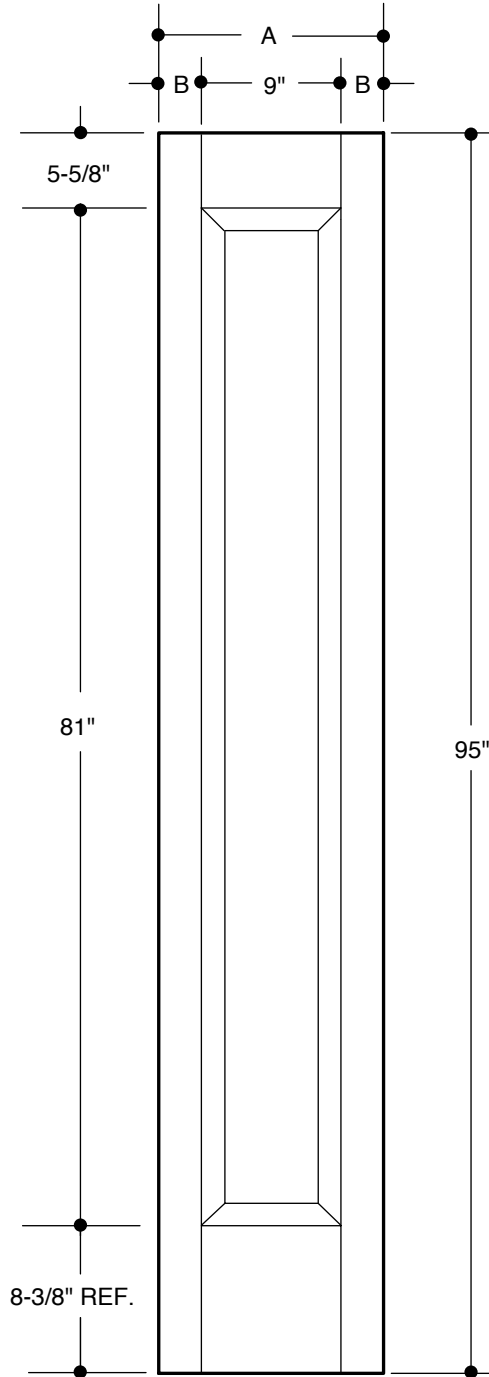


	A	10-3/8"	10"
	A	11-7/8"	12"
	A	13-7/8"	14"

PART NO.	QTY.	DESCRIPTION
		OAKCRAFT® 8'0" WOOD-GRAIN TEXTURED FIBERGLASS SIDELITE

Our continuing program of product improvement makes specifications, design and product detail subject to change without notice.

**8'0" FLUSH GLAZED
FULL LITE**



A	11-7/8"	12"
B	1-15/16"	
A	13-7/8"	14"
B	2-15/16"	

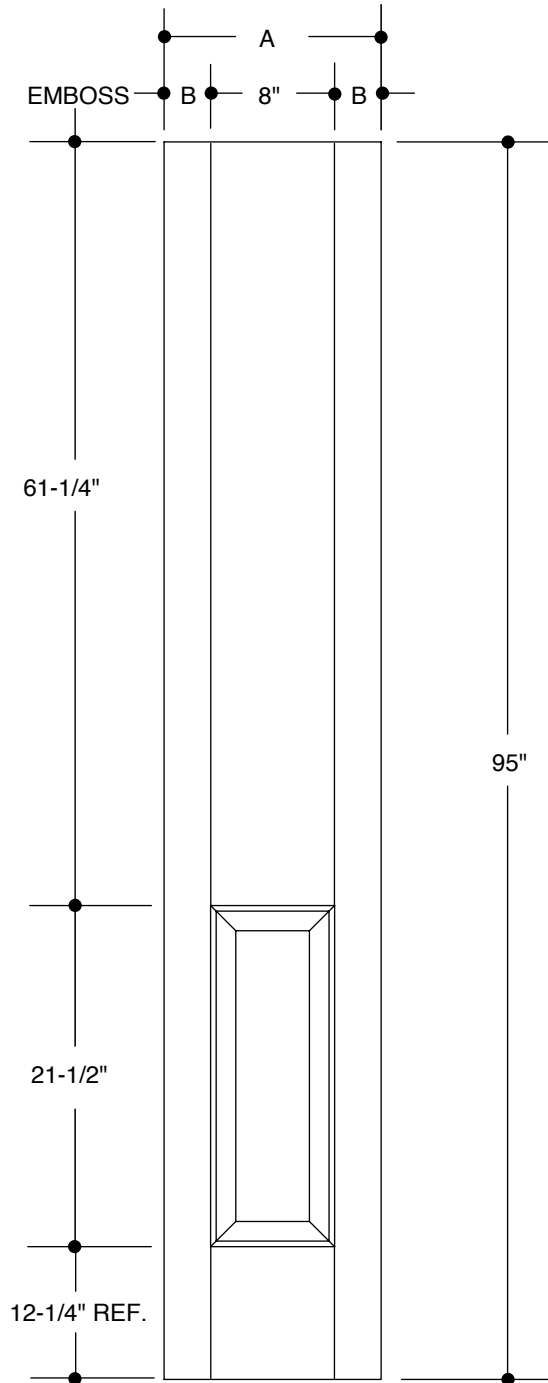
Please Note:

1. Not available factory glazed.
2. Available as flush glazed/open - 8" x 80" x 1" I.G. insert required.

PART NO.	QTY.	DESCRIPTION
		OAKCRAFT® 8'0" WOOD-GRAIN TEXTURED FIBERGLASS SIDELITE

Our continuing program of product improvement makes specifications, design and product detail subject to change without notice.

**8'0" BLANK TOP
1-PANEL**



	A	10-3/8"	10"
	B	1-3/16"	
	A	11-7/8"	12"
	B	1-15/16"	
	A	13-7/8"	14"
	B	2-15/16"	

PART NO.	QTY.	DESCRIPTION
		OAKCRAFT® 8'0" WOOD-GRAIN TEXTURED FIBERGLASS SIDELITE

Our continuing program of product improvement makes specifications, design and product detail subject to change without notice.