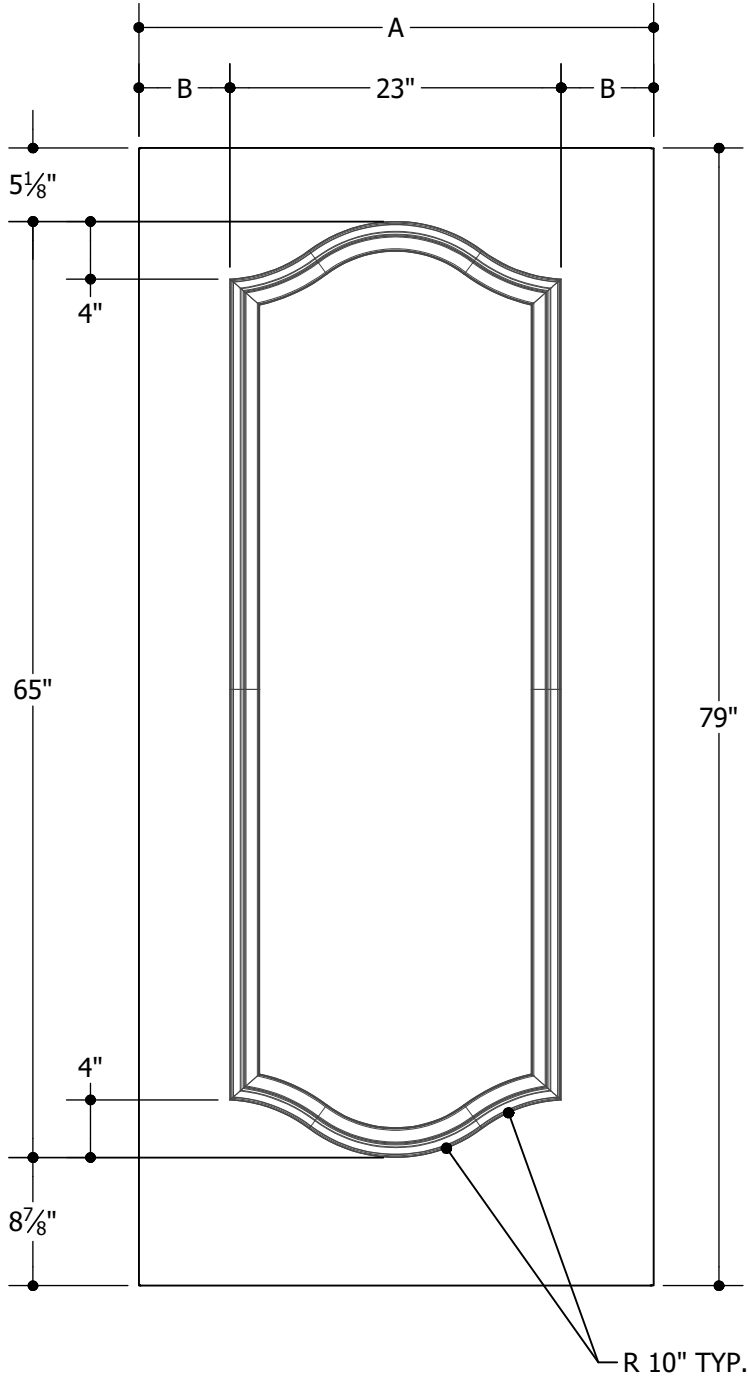


STA-TRU® HD 1-PANEL ARCHED 6'8"
MASONITE™ SPEC*



| | | | |
|------|---|---------|-------|
| 6'8" | A | 31-3/4" | 2'8" |
| | B | 4-3/8" | |
| | | | |
| 6'8" | A | 33-3/4" | 2'10" |
| | B | 5-3/8" | |
| | | | |
| 6'8" | A | 35-3/4" | 3'0" |
| | B | 6-3/8" | |
| | | | |
| | | | |
| | | | |
| | | | |
| | | | |
| | | | |
| | | | |
| | | | |
| | | | |

Options:

- STA-TRU® HD WOOD-EDGE STEEL DOORS
- STA-TRU® HD WOOD-EDGE 20-MINUTE RATED STEEL DOORS
- STA-TRU® HD METAL-EDGE STEEL DOORS
- STA-TRU® HD METAL-EDGE 90-MINUTE RATED STEEL DOORS

Note:

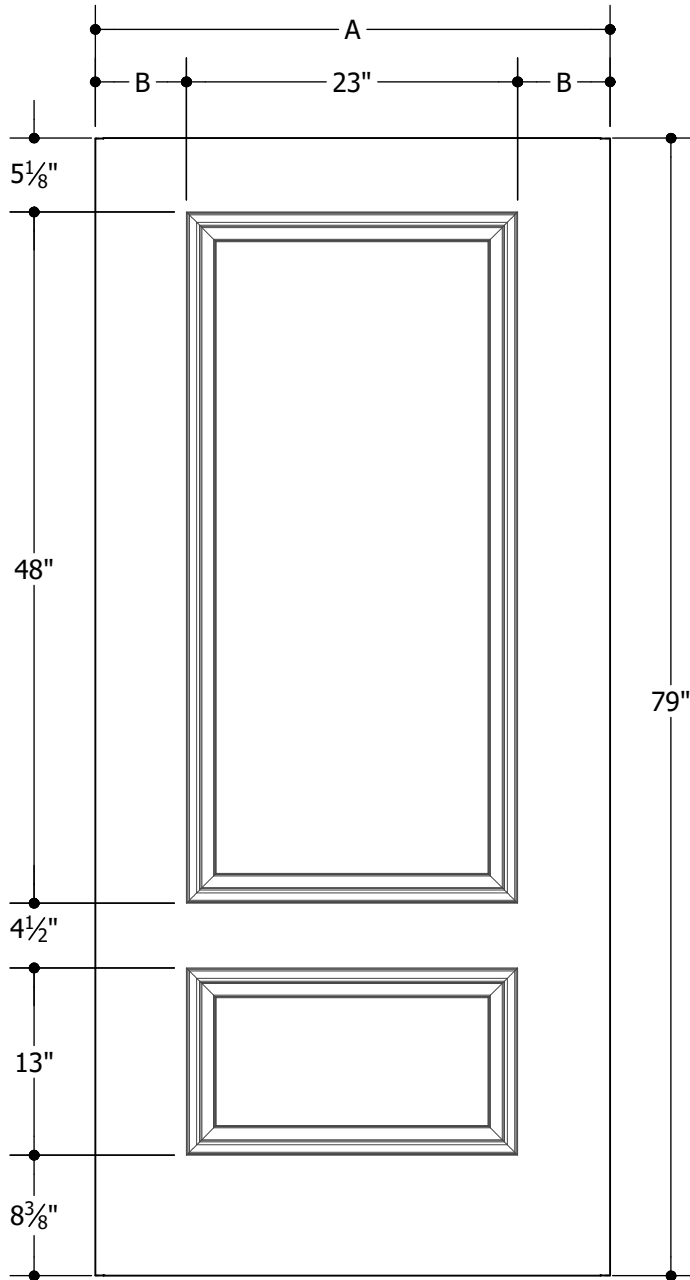
1. Overall Length and Width Dimensions are +/- 1/16 inch
2. Available as 83" length.

*Available as Prem Spec
www.masonite.com

© 2017 Masonite International Corporation. All Rights Reserved.
Our continuing program of product improvement makes specifications, design and product detail subject to change without notice.

Filename: TM-STA-1P ARCH-68 002
Revision: A
Date: 01-05-2017
Section XX XX.X.X

STA-TRU® HD 2-PANEL HOLLISTER® 6'8"-7'0"
MASONITE™ SPEC*



| | | | |
|------|---|---------|-------|
| 6'8" | A | 31-3/4" | 2'8" |
| | B | 4-5/16" | |
| | | | |
| 6'8" | A | 33-3/4" | 2'10" |
| | B | 5-5/16" | |
| | | | |
| 6'8" | A | 35-3/4" | 3'0" |
| | B | 6-5/16" | |
| | | | |
| | | | |
| | | | |
| | | | |
| | | | |
| | | | |
| | | | |
| | | | |
| | | | |
| | | | |
| | | | |

- Options:**
 STA-TRU® HD WOOD-EDGE STEEL DOORS
 STA-TRU® HD WOOD-EDGE 20-MINUTE RATED STEEL DOORS
 STA-TRU® HD METAL-EDGE STEEL DOORS
 STA-TRU® HD METAL-EDGE 90-MINUTE RATED STEEL DOORS

Note:
 1. Overall Length and Width Dimensions are +/- 1/16 inch
 2. Available as 83" length, 5-1/8" top rail and 12-3/8" bottom rail.

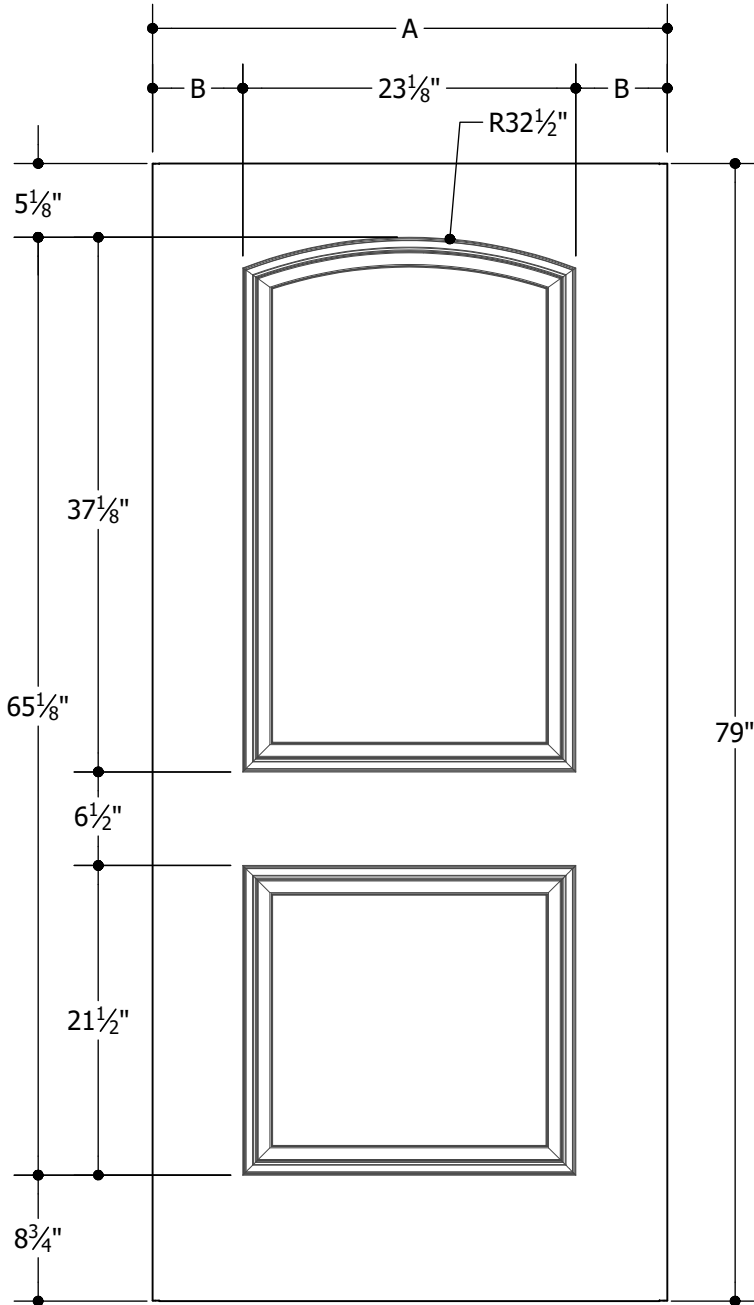
*Available as Prem Spec
www.masonite.com

© 2017 Masonite International Corporation. All Rights Reserved.
 Our continuing program of product improvement makes specifications, design and product detail subject to change without notice.

Filename: TM-STA-2P HLSTR-68 003
 Revision: A
 Date: 01-05-2017
 Section XX XX.X.X



STA-TRU® HD 2-PANEL CAMBER-TOP 6'8"
MASONITE™ SPEC*



| | | | |
|------|---|---------|-------|
| 6'8" | A | 31-3/4" | 2'8" |
| | B | 4-5/16" | |
| 6'8" | A | 33-3/4" | 2'10" |
| | B | 5-5/16" | |
| 6'8" | A | 35-3/4" | 3'0" |
| | B | 6-5/16" | |
| | | | |
| | | | |
| | | | |
| | | | |
| | | | |
| | | | |
| | | | |
| | | | |
| | | | |
| | | | |
| | | | |
| | | | |

Options:

- STA-TRU® HD WOOD-EDGE STEEL DOORS
- STA-TRU® HD WOOD-EDGE 20-MINUTE RATED STEEL DOORS
- STA-TRU® HD METAL-EDGE STEEL DOORS
- STA-TRU® HD METAL-EDGE 90-MINUTE RATED STEEL DOORS

Note:

1. Overall Length and Width Dimensions are +/- 1/16 inch
2. Available as 83" length.

*Available as Prem Spec

www.masonite.com

© 2017 Masonite International Corporation. All Rights Reserved.
Our continuing program of product improvement makes specifications, design and product detail subject to change without notice.

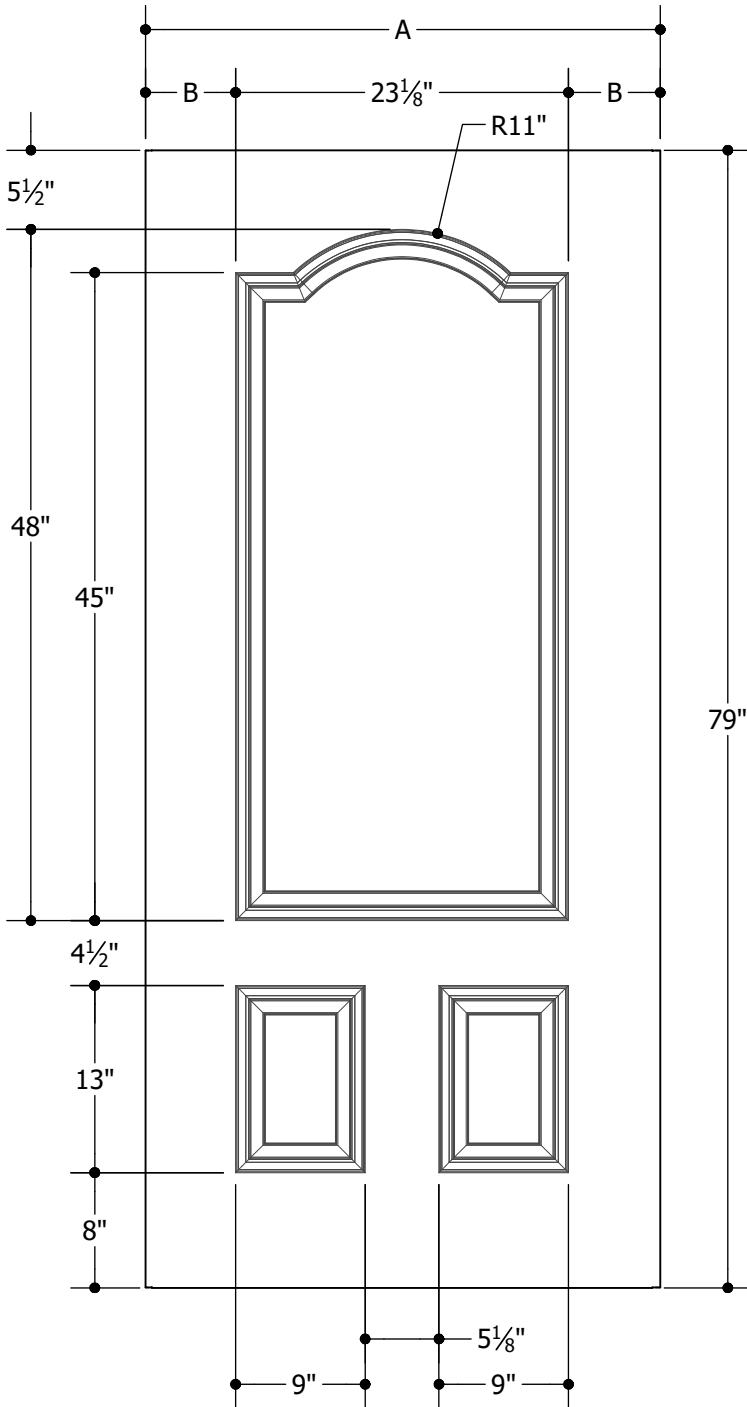
Filename: TM-STA-2P CMBR-68 004

Revision: A

Date: 01-05-2017

Section XX XX.X.X

STA-TRU® HD 3-PANEL ARCH-TOP 6'8"
MASONITE™ SPEC*



| | | | |
|------|---|---------|-------|
| 6'8" | A | 31-3/4" | 2'8" |
| | B | 4-5/16" | |
| 6'8" | A | 33-3/4" | 2'10" |
| | B | 5-5/16" | |
| 6'8" | A | 35-3/4" | 3'0" |
| | B | 6-5/16" | |
| | | | |
| | | | |
| | | | |
| | | | |
| | | | |
| | | | |
| | | | |
| | | | |
| | | | |
| | | | |
| | | | |

Options:

- STA-TRU® HD WOOD-EDGE STEEL DOORS
- STA-TRU® HD WOOD-EDGE 20-MINUTE RATED STEEL DOORS
- STA-TRU® HD METAL-EDGE STEEL DOORS
- STA-TRU® HD METAL-EDGE 90-MINUTE RATED STEEL DOORS

Note:

- Overall Length and Width Dimensions are +/- 1/16 inch
- Available as 83" length.

*Available as Prem Spec

www.masonite.com

© 2017 Masonite International Corporation. All Rights Reserved.

Our continuing program of product improvement makes specifications, design and product detail subject to change without notice.

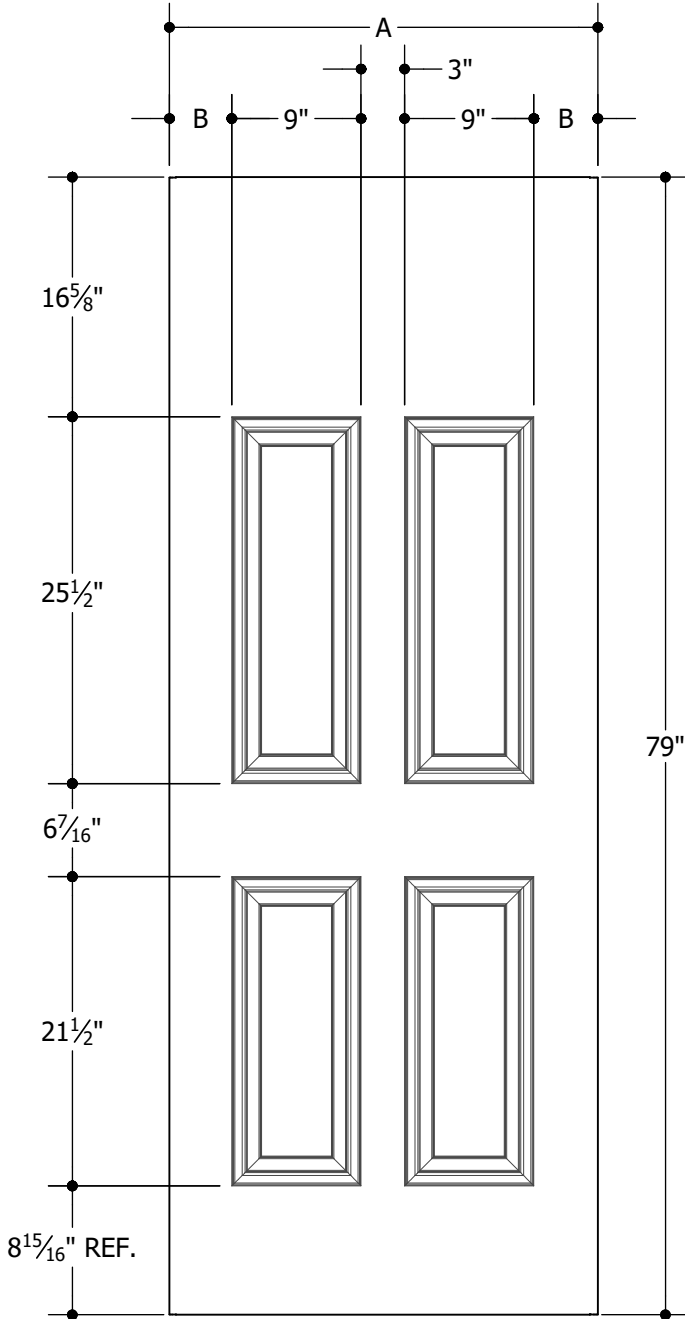
Filename: TM-STA-3P ARCH-68 005

Revision: A

Date: 01-05-2017

Section XX XX.X.X

STA-TRU® HD 4-PANEL NARROW BLANK-TOP 6'8"-7'0"
MASONITE™ SPEC*



| | | | |
|------|---|---------|------|
| 6'8" | A | 29-3/4" | 2'6" |
| | B | 4-3/8" | |
| | | | |
| | | | |
| | | | |
| | | | |
| | | | |
| | | | |
| | | | |
| | | | |
| | | | |
| | | | |
| | | | |
| | | | |
| | | | |
| | | | |
| | | | |
| | | | |

- Options:**
STA-TRU® HD WOOD-EDGE STEEL DOORS
STA-TRU® HD METAL-EDGE STEEL DOORS

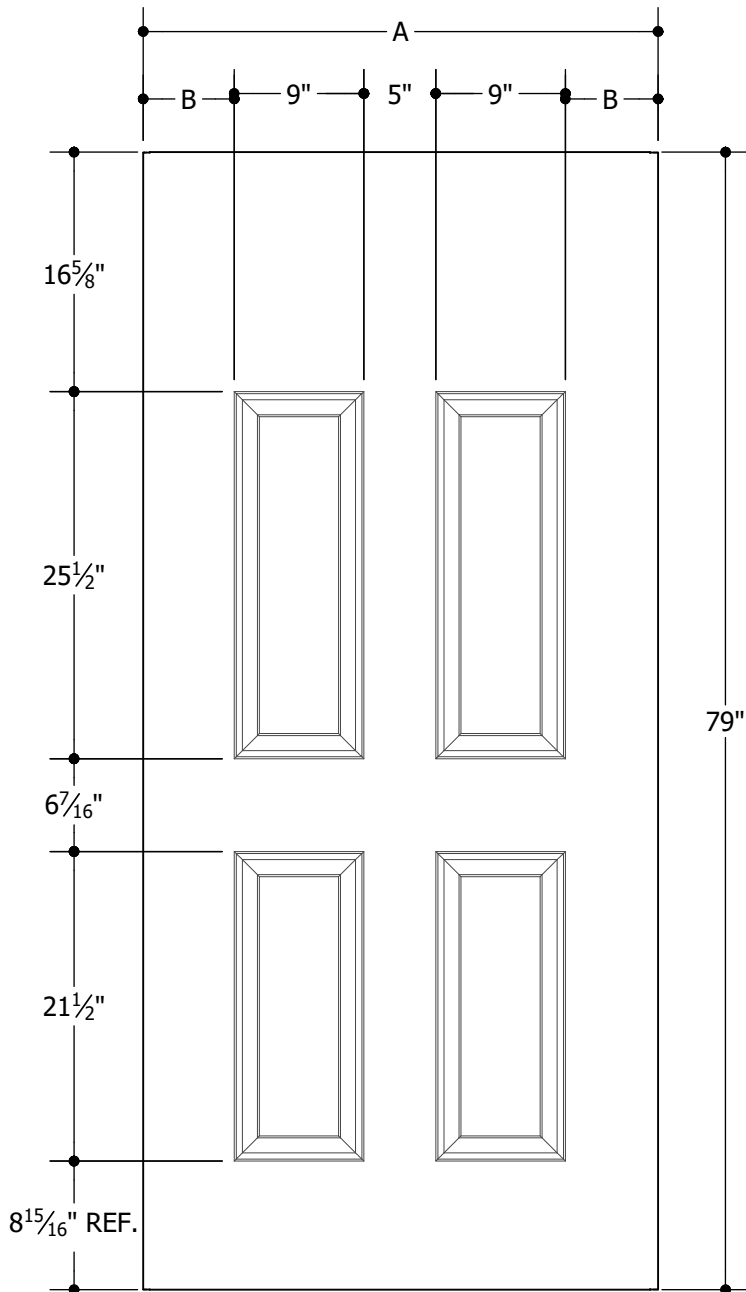
- Note:**
1. Overall Length and Width Dimensions are +/- 1/16 inch
2. Available as 83" length, 17" top rail and 12-1/2" bottom rail.

*Available as Prem Spec
www.masonite.com

© 2017 Masonite International Corporation. All Rights Reserved.
Our continuing program of product improvement makes specifications, design and product detail subject to change without notice.

Filename: TM-STA-4P BLNK TP NRW-68 006
Revision: A
Date: 01-05-2017
Section XX XX.XX

STA-TRU® HD 4-PANEL BLANK-TOP 6'8"
MASONITE™ SPEC*



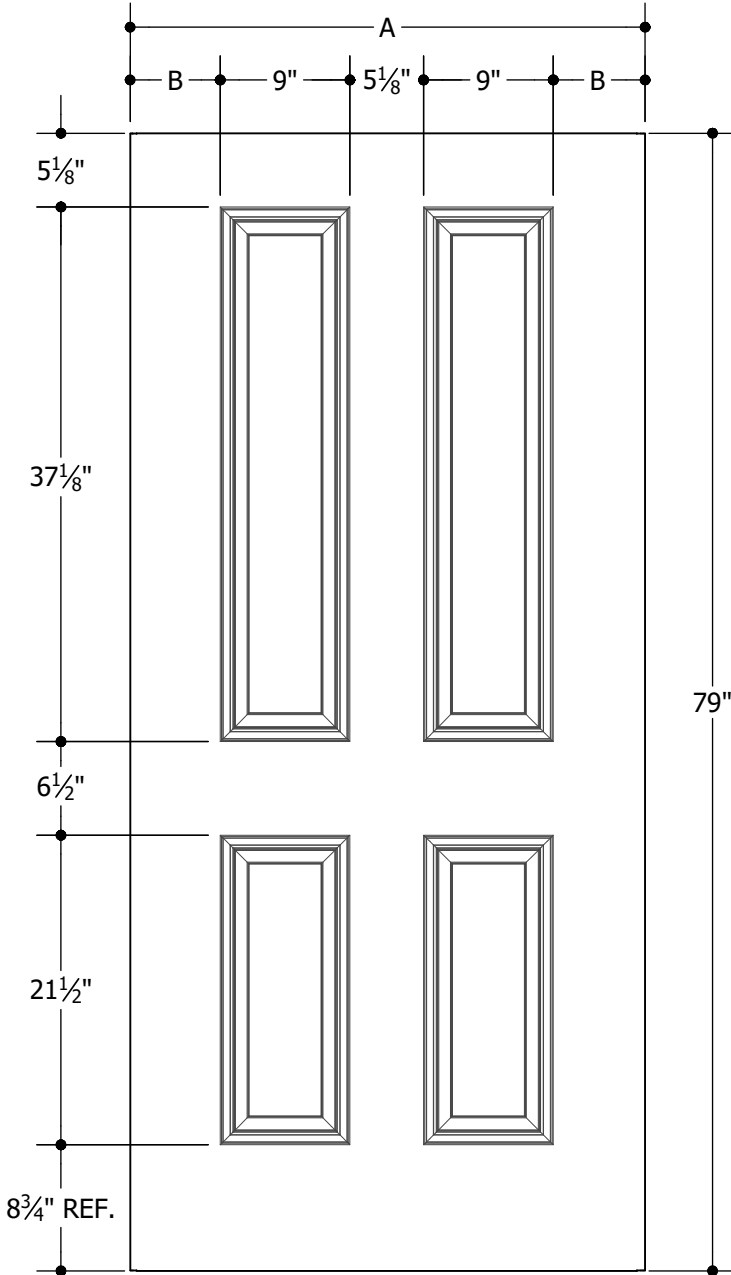
| | | | |
|------|---|---------|-------|
| 6'8" | A | 31-3/4" | 2'8" |
| | B | 4-3/8" | |
| 6'8" | A | 33-3/4" | 2'10" |
| | B | 5-3/8" | |
| 6'8" | A | 35-3/4" | 3'0" |
| | B | 6-3/8" | |
| | | | |
| | | | |
| | | | |
| | | | |
| | | | |
| | | | |
| | | | |
| | | | |
| | | | |

Options:
 STA-TRU® HD WOOD-EDGE STEEL DOORS
 STA-TRU® HD METAL-EDGE STEEL DOORS

Note:
 1. Overall Length and Width Dimensions are +/- 1/16 inch
 2. Available as 83" length.

*Available as Prem Spec
www.masonite.com

STA-TRU® HD 4-PANEL NEW ENGLAND 6'8"-7'0"
MASONITE™ SPEC*



| | | | |
|------|---|---------|-------|
| 6'8" | A | 31-3/4" | 2'8" |
| | B | 4-5/16" | |
| 6'8" | A | 33-3/4" | 2'10" |
| | B | 5-5/16" | |
| 6'8" | A | 35-3/4" | 3'0" |
| | B | 6-5/16" | |
| | | | |
| | | | |
| | | | |
| | | | |
| | | | |
| | | | |
| | | | |
| | | | |
| | | | |
| | | | |
| | | | |

Options:

- STA-TRU® HD WOOD-EDGE STEEL DOORS
- STA-TRU® HD WOOD-EDGE 20-MINUTE RATED STEEL DOORS
- STA-TRU® HD METAL-EDGE STEEL DOORS
- STA-TRU® HD METAL-EDGE 90-MINUTE RATED STEEL DOORS

Note:

1. Overall Length and Width Dimensions are +/- 1/16 inch
2. Available as 83" length, 5-1/8" top rail and 12-3/4" bottom rail.

*Available as Prem Spec

www.masonite.com

© 2017 Masonite International Corporation. All Rights Reserved.

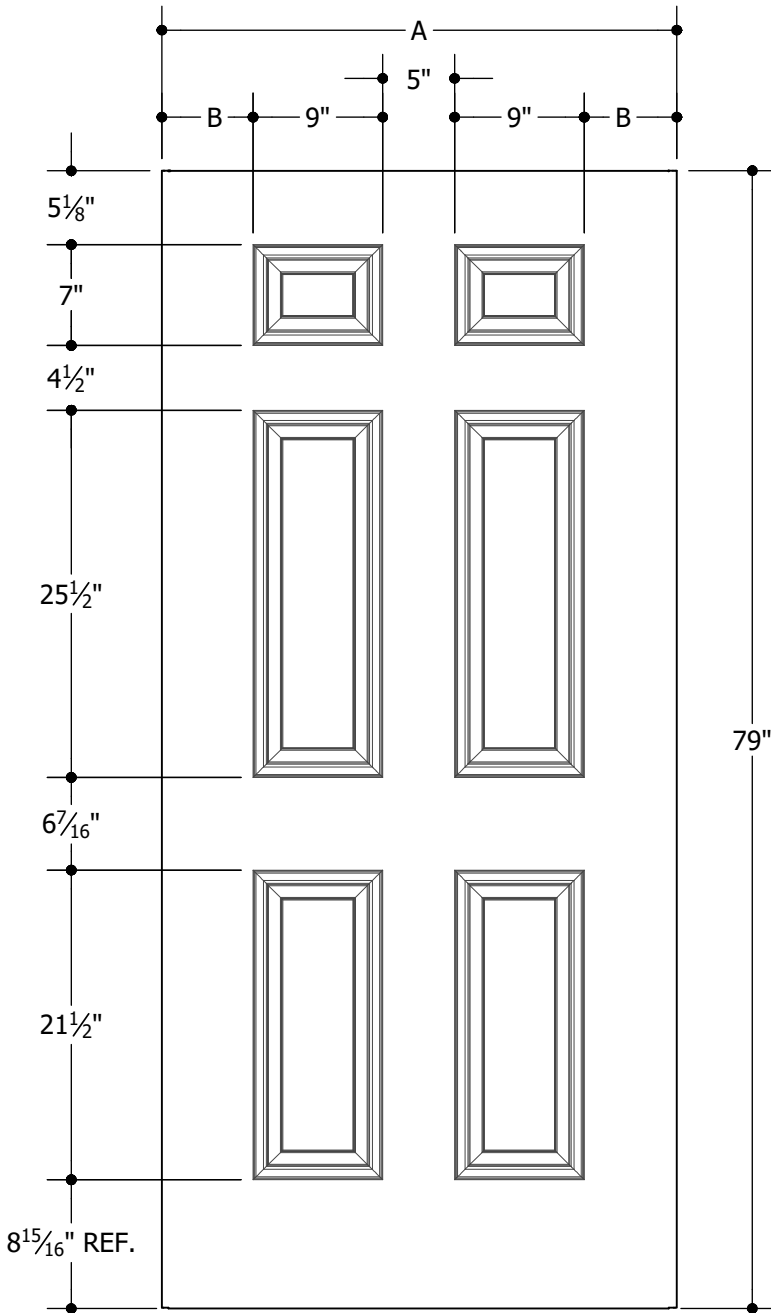
Our continuing program of product improvement makes specifications, design and product detail subject to change without notice.

Filename: TM-STA-4P NE-68 007

Revision: A

Date: 01-05-2017

Section XX XX.X.X

STA-TRU® HD 6-PANEL 6'8"-7'0"
 MASONITE™ SPEC*


| | | | |
|------|---|---------|-------|
| 6'8" | A | 31-3/4" | 2'8" |
| | B | 4-3/8" | |
| 6'8" | A | 33-3/4" | 2'10" |
| | B | 5-3/8" | |
| 6'8" | A | 35-3/4" | 3'0" |
| | B | 6-3/8" | |
| | | | |
| | | | |
| | | | |
| | | | |
| | | | |
| | | | |
| | | | |
| | | | |
| | | | |
| | | | |
| | | | |
| | | | |
| | | | |

Options:

- STA-TRU® HD WOOD-EDGE STEEL DOORS
- STA-TRU® HD WOOD-EDGE 20-MINUTE RATED STEEL DOORS
- STA-TRU® HD METAL-EDGE STEEL DOORS
- STA-TRU® HD METAL-EDGE 90-MINUTE RATED STEEL DOORS

Note:

1. Overall Length and Width Dimensions are +/- 1/16 inch
2. Available as 83" length, 5-1/8" top rail and 12-3/4" bottom rail.

*Available as Prem Spec
www.masonite.com

© 2017 Masonite International Corporation. All Rights Reserved.

Our continuing program of product improvement makes specifications, design and product detail subject to change without notice.

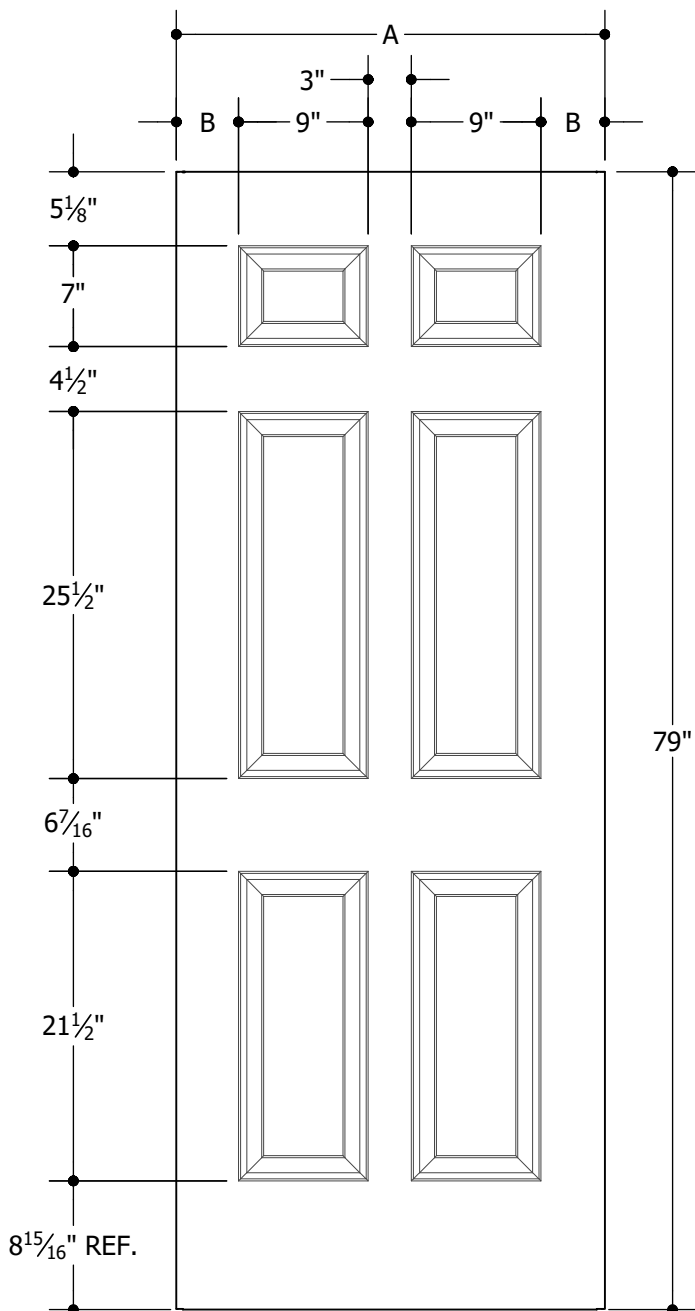
Filename: TM-STA-6P-68 008

Revision: A

Date: 01-05-2017

Section XX XX.XX

STA-TRU® HD 6-PANEL NARROW 6'8"-7'0"
MASONITE™ SPEC*



| | | | |
|------|---|---------|------|
| 6'8" | A | 29-3/4" | 2'6" |
| | B | 4-3/8" | |
| | | | |
| | | | |
| | | | |
| | | | |
| | | | |
| | | | |
| | | | |
| | | | |
| | | | |
| | | | |
| | | | |
| | | | |
| | | | |
| | | | |
| | | | |
| | | | |
| | | | |
| | | | |

- Options:**
- STA-TRU® HD WOOD-EDGE STEEL DOORS
 - STA-TRU® HD WOOD-EDGE 20-MINUTE RATED STEEL DOORS
 - STA-TRU® HD METAL-EDGE STEEL DOORS
 - STA-TRU® HD METAL-EDGE 90-MINUTE RATED STEEL DOORS

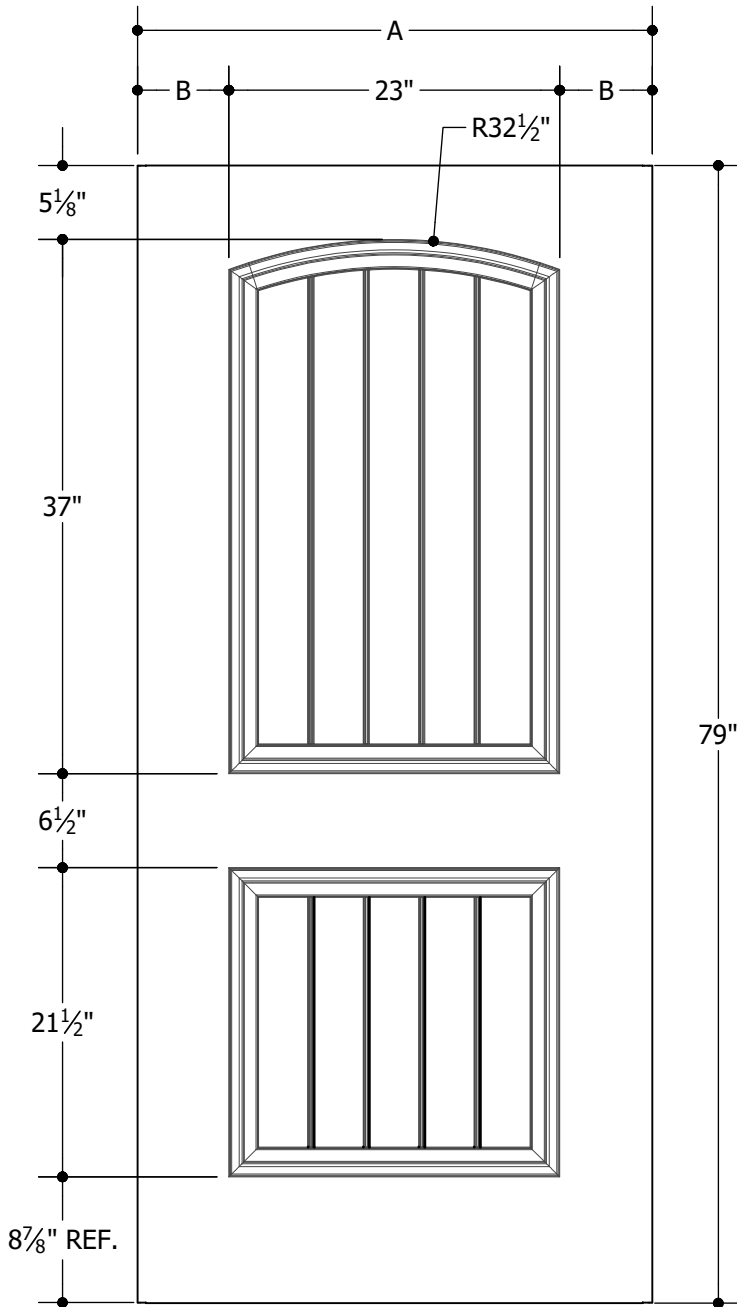
Note:
1. Overall Length and Width Dimensions are +/- 1/16 inch
2. Available as 83" length, 5-1/8" top rail and 12-15/16" bottom rail.

*Available as Prem Spec
www.masonite.com

© 2017 Masonite International Corporation. All Rights Reserved.
Our continuing program of product improvement makes specifications, design and product detail subject to change without notice.

Filename: TM-STA-6P NRW-68 008
Revision: A
Date: 01-05-2017
Section XX XX.XX

STA-TRU® HD 2-PANEL PLANK CAMBER-TOP 6'8"-7'0"
MASONITE™ SPEC*



| | | | |
|------|---|---------|-------|
| 6'8" | A | 31-3/4" | 2'8" |
| | B | 4-3/8" | |
| 6'8" | A | 33-3/4" | 2'10" |
| | B | 5-3/8" | |
| 6'8" | A | 35-3/4" | 3'0" |
| | B | 6-3/8" | |
| | | | |
| | | | |
| | | | |
| | | | |
| | | | |
| | | | |
| | | | |
| | | | |
| | | | |

- Options:**
STA-TRU® HD WOOD-EDGE STEEL DOORS
STA-TRU® HD WOOD-EDGE 20-MINUTE RATED STEEL DOORS
STA-TRU® HD METAL-EDGE STEEL DOORS
STA-TRU® HD METAL-EDGE 90-MINUTE RATED STEEL DOORS

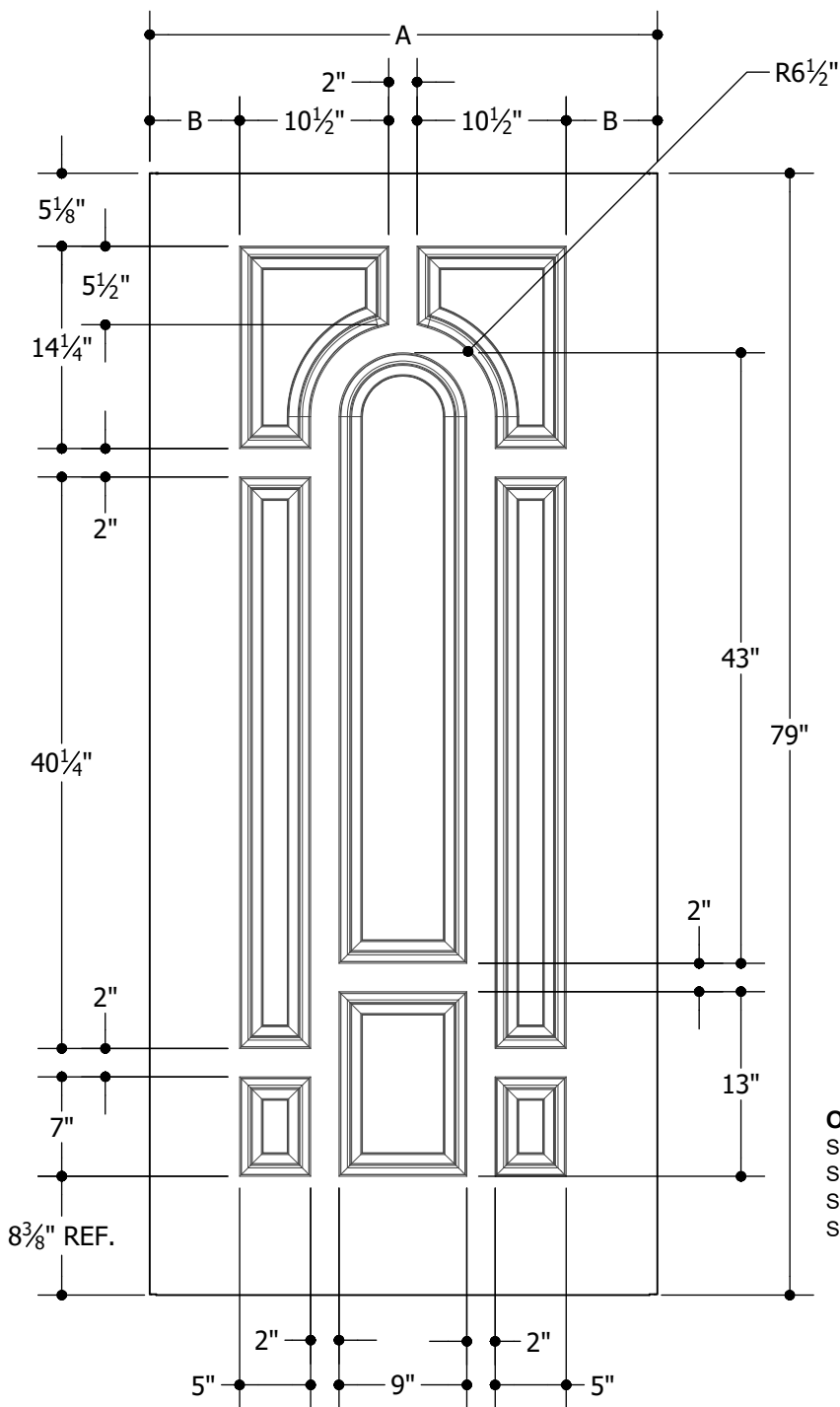
Note:
1. Overall Length and Width Dimensions are +/- 1/16 inch
2. Available as 83" length, 5-1/8" top rail and 12-3/4" bottom rail.

*Available as Prem Spec
www.masonite.com

© 2017 Masonite International Corporation. All Rights Reserved.
Our continuing program of product improvement makes specifications, design and product detail subject to change without notice.

Filename: TM-STA-2P PLNK CMBR-68 009
Revision: A
Date: 01-05-2017
Section XX XX.X.X

STA-TRU® HD 8-PANEL PARLIAMENT 6'8"
MASONITE™ SPEC*



| | | | |
|------|---|---------|-------|
| 6'8" | A | 31-3/4" | 2'8" |
| | B | 4-3/8" | |
| 6'8" | A | 33-3/4" | 2'10" |
| | B | 5-3/8" | |
| 6'8" | A | 35-3/4" | 3'0" |
| | B | 6-3/8" | |
| 6'8" | | | |
| 6'8" | | | |
| 6'8" | | | |
| 6'8" | | | |
| 6'8" | | | |
| 6'8" | | | |
| 6'8" | | | |
| 6'8" | | | |
| 6'8" | | | |

Options:

- STA-TRU® HD WOOD-EDGE STEEL DOORS
- STA-TRU® HD WOOD-EDGE 20-MINUTE RATED STEEL DOORS
- STA-TRU® HD METAL-EDGE STEEL DOORS
- STA-TRU® HD METAL-EDGE 90-MINUTE RATED STEEL DOORS

Note:

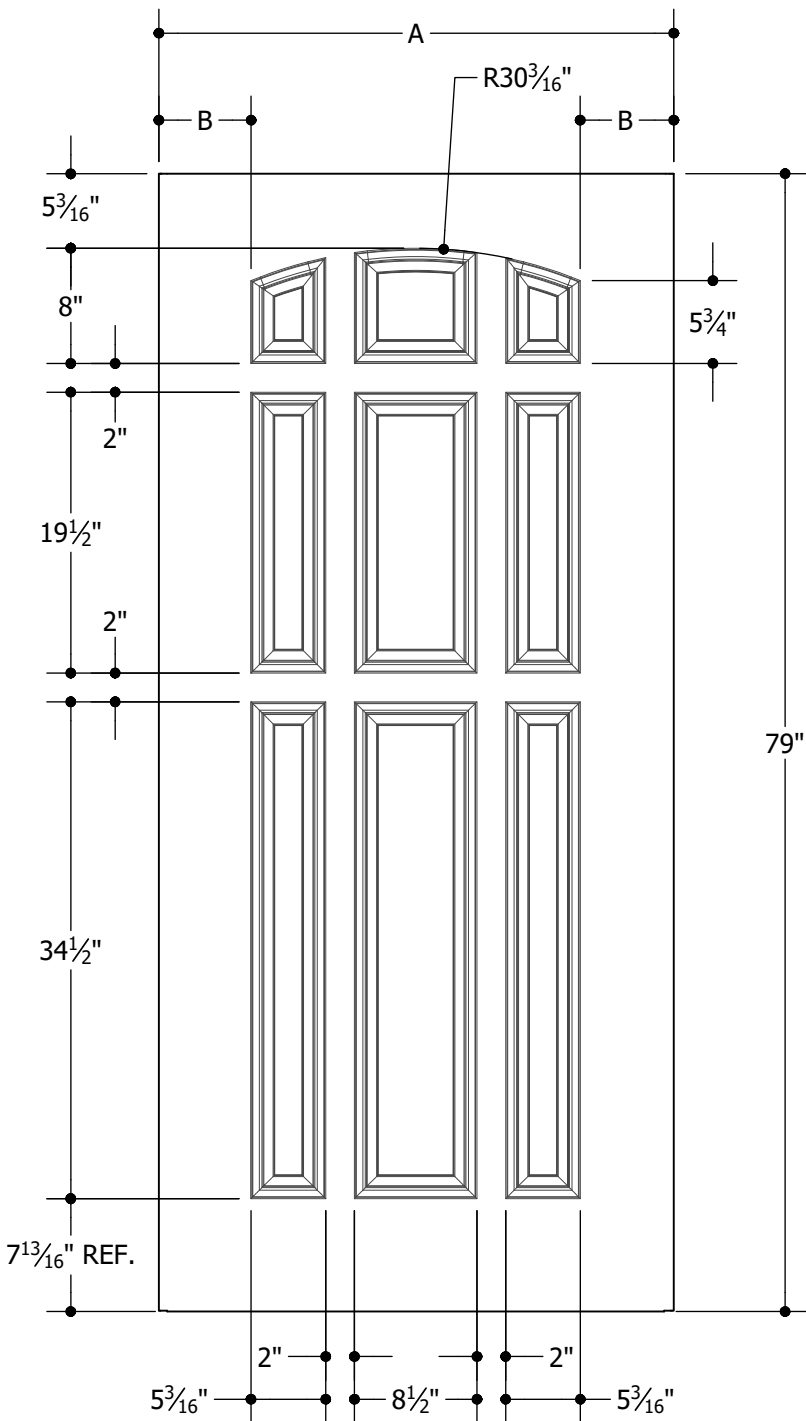
1. Overall Length and Width Dimensions are +/- 1/16 inch
2. Available as 83" length.

*Available as Prem Spec
www.masonite.com

© 2017 Masonite International Corporation. All Rights Reserved.
Our continuing program of product improvement makes specifications, design and product detail subject to change without notice.

Filename: TM-STA-8P PLMT-68 010
Revision: A
Date: 01-05-2017
Section XX XX.X.X

STA-TRU® HD 9-PANEL 6'8"
 MASONITE™ SPEC*



| | | | |
|------|---|---------|-------|
| 6'8" | A | 31-3/4" | 2'8" |
| | B | 4-7/16" | |
| | | | |
| 6'8" | A | 33-3/4" | 2'10" |
| | B | 5-7/16" | |
| | | | |
| 6'8" | A | 35-3/4" | 3'0" |
| | B | 6-7/16" | |
| | | | |
| | | | |
| | | | |
| | | | |
| | | | |
| | | | |
| | | | |
| | | | |
| | | | |
| | | | |
| | | | |
| | | | |

- Options:**
 STA-TRU® HD WOOD-EDGE STEEL DOORS
 STA-TRU® HD WOOD-EDGE 20-MINUTE RATED STEEL DOORS
 STA-TRU® HD METAL-EDGE STEEL DOORS
 STA-TRU® HD METAL-EDGE 90-MINUTE RATED STEEL DOORS

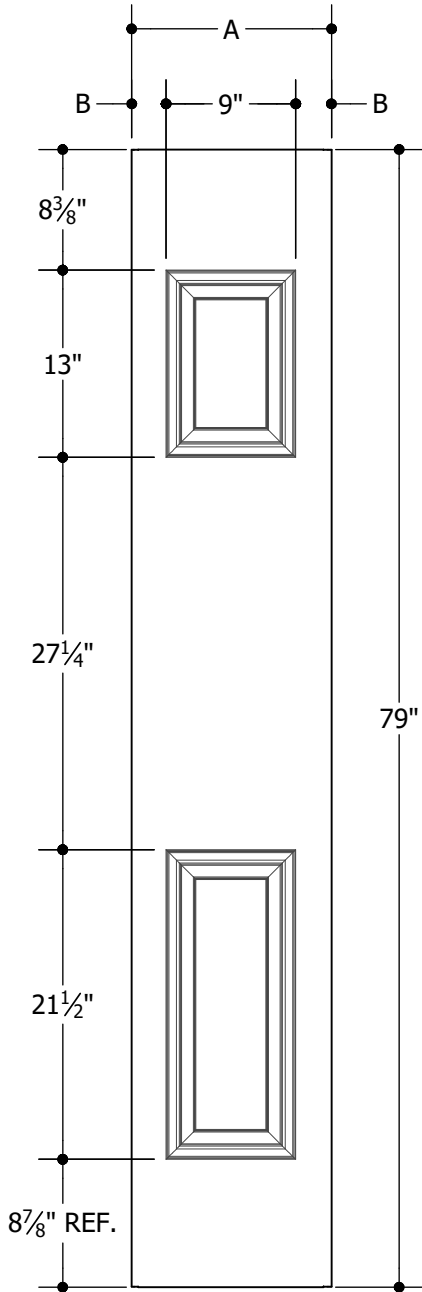
Note:
 1. Overall Length and Width Dimensions are +/- 1/16 inch
 2. Available as 83" length

*Available as Prem Spec
www.masonite.com

© 2017 Masonite International Corporation. All Rights Reserved.
 Our continuing program of product improvement makes specifications, design and product detail subject to change without notice.

Filename: TM-STA-9P-68 011
 Revision: A
 Date: 01-05-2017
 Section XX XX.X.X

STA-TRU® HD 2-PANEL UNIVERSAL 6'8"
MASONITE™ SPEC*



| | | | |
|------|---|---------|-----|
| 6'8" | A | 11-7/8" | 12" |
| | B | 1-7/16" | |
| 6'8" | A | 13-7/8" | 14" |
| | B | 2-7/16" | |
| | | | |
| | | | |
| | | | |
| | | | |
| | | | |
| | | | |
| | | | |
| | | | |
| | | | |
| | | | |
| | | | |
| | | | |

Options:
STA-TRU® HD WOOD-EDGE STEEL SIDELITE

Note:

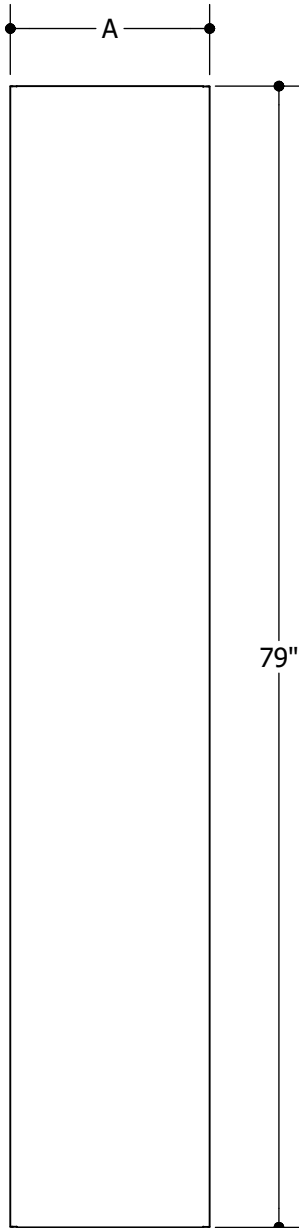
1. Overall Length and Width Dimensions are +/- 1/16 inch
2. Filp panel for use with 3/4 lite style door.

*Available as Prem Spec
www.masonite.com

© 2017 Masonite International Corporation. All Rights Reserved.
Our continuing program of product improvement makes specifications, design and product detail subject to change without notice.

Filename: TM-STA-2P UNI-68 012
Revision: A
Date: 01-05-2017
Section XX XX.X.X

STA-TRU® HD FLUSH 6'8"
MASONITE™ SPEC*



| | | | |
|------|---|---------|-----|
| 6'8" | A | 10-3/8" | 10" |
| | | | |
| | | | |
| | | | |
| 6'8" | A | 11-7/8" | 12" |
| | | | |
| | | | |
| | | | |
| 6'8" | A | 13-7/8" | 14" |
| | | | |
| | | | |
| | | | |
| | | | |
| | | | |
| | | | |
| | | | |
| | | | |
| | | | |
| | | | |
| | | | |
| | | | |
| | | | |
| | | | |
| | | | |

Options:
STA-TRU® HD WOOD-EDGE STEEL SIDELITE

Note:

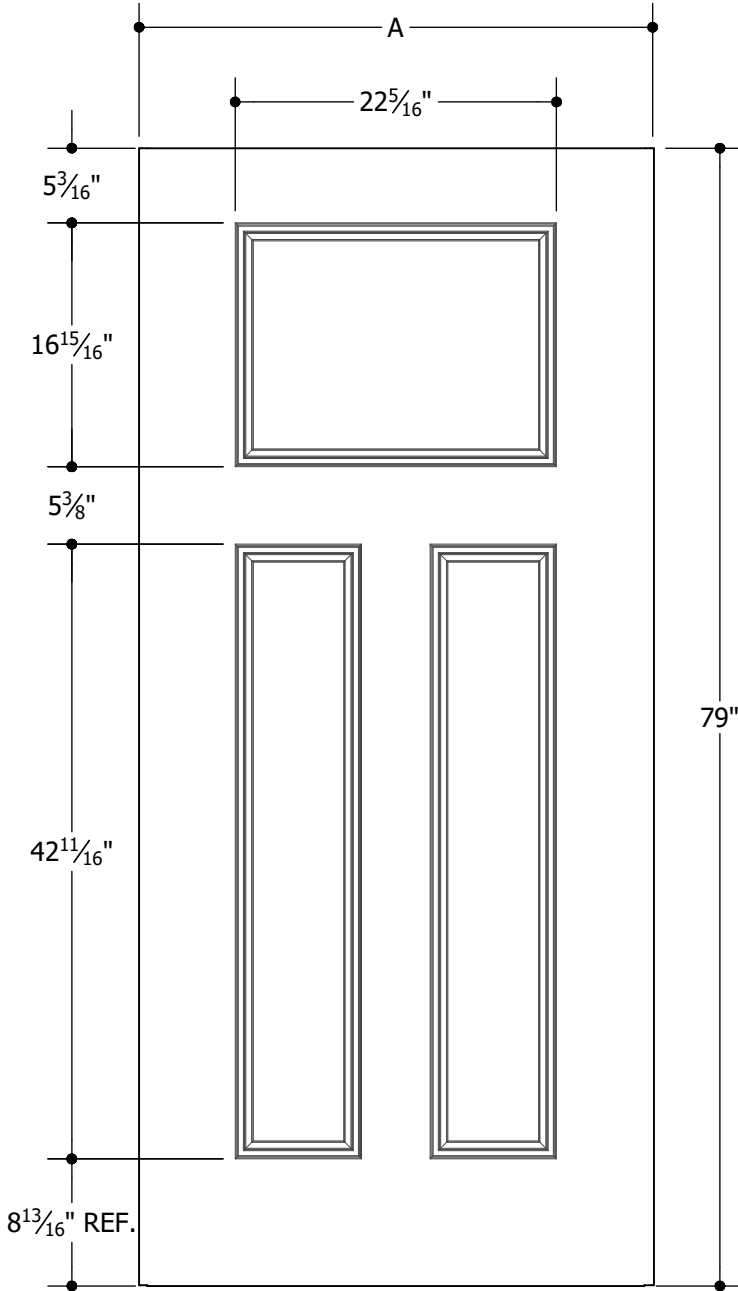
1. Overall Length and Width Dimensions are +/- 1/16 inch
2. Available as 83" length.

*Available as Prem Spec
www.masonite.com

© 2017 Masonite International Corporation. All Rights Reserved.
Our continuing program of product improvement makes specifications, design and product detail subject to change without notice.

Filename: TM-STA-FL-68 014
Revision: A
Date: 01-05-2017
Section XX XX.X.X

STA-TRU® HD 3-PANEL CRAFTSMAN 6'8"-7'0"
 MASONITE™ SPEC*



| | | | |
|------|---|---------|-------|
| 6'8" | A | 31-3/4" | 2'8" |
| | | | |
| | | | |
| 6'8" | A | 33-3/4" | 2'10" |
| | | | |
| | | | |
| 6'8" | A | 35-3/4" | 3'0" |
| | | | |
| | | | |
| | | | |
| | | | |
| | | | |
| | | | |
| | | | |
| | | | |
| | | | |
| | | | |
| | | | |
| | | | |

Options:

- STA-TRU® HD WOOD-EDGE STEEL DOORS
- STA-TRU® HD WOOD-EDGE 20-MINUTE RATED STEEL DOORS
- STA-TRU® HD METAL-EDGE STEEL DOORS
- STA-TRU® HD METAL-EDGE 90-MINUTE RATED STEEL DOORS

Note:

- Overall Length and Width Dimensions are +/- 1/16 inch
- Available as 83" length.

*Available as Prem Spec
www.masonite.com

© 2017 Masonite International Corporation. All Rights Reserved.

Our continuing program of product improvement makes specifications, design and product detail subject to change without notice.

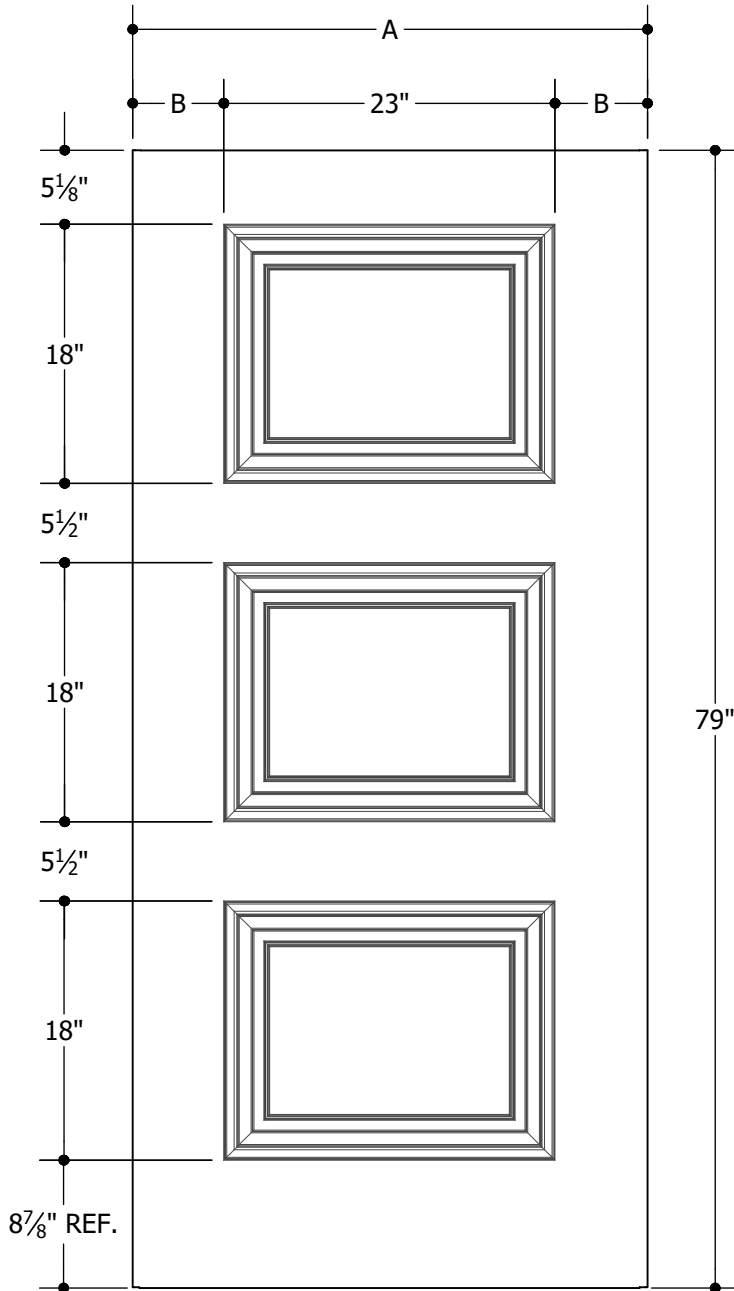
Filename: TM-STA-3P CRFT-68 015

Revision: A

Date: 01-20-2017

Section XX XX.X.X

STA-TRU® HD 3-PANEL EQUAL 6'8"-7'0"
MASONITE™ SPEC*



| | | | |
|------|---|---------|-------|
| 6'8" | A | 31-3/4" | 2'8" |
| | B | 4-3/8" | |
| 6'8" | A | 33-3/4" | 2'10" |
| | B | 5-3/8" | |
| 6'8" | A | 35-3/4" | 3'0" |
| | B | 6-3/8" | |
| | | | |
| | | | |
| | | | |
| | | | |
| | | | |
| | | | |

- Options:**
 STA-TRU® HD WOOD-EDGE STEEL DOORS
 STA-TRU® HD WOOD-EDGE 20-MINUTE RATED STEEL DOORS
 STA-TRU® HD METAL-EDGE STEEL DOORS
 STA-TRU® HD METAL EDGE 90-MINUTE RATED STEEL DOORS

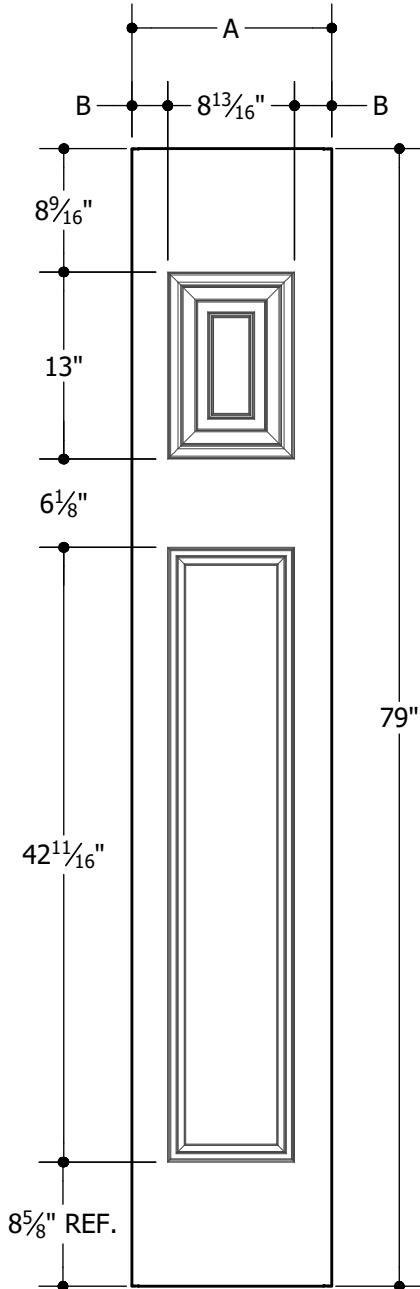
Note:
 1. Overall Length and Width Dimensions are +/- 1/16 inch
 2. Available as 83" length.

*Available as Prem Spec
www.masonite.com

© 2017 Masonite International Corporation. All Rights Reserved.
 Our continuing program of product improvement makes specifications, design and product detail subject to change without notice.

Filename: TM-STA-3P EQL-68 016
 Revision: A
 Date: 01-20-2017
 Section XX XX.X.X

STA-TRU® HD CRAFTSMAN & HOLLISTER SIDELITE 6'8"-7'0"
 MASONITE™ SPEC*



| | | | |
|------|---|---------|-----|
| 6'8" | A | 11-7/8" | 12" |
| | B | 1-2/5" | |
| 6'8" | A | 13-7/8" | 14" |
| | B | 2-2/5" | |
| | | | |
| | | | |
| | | | |
| | | | |
| | | | |
| | | | |
| | | | |
| | | | |
| | | | |
| | | | |
| | | | |
| | | | |
| | | | |

Options:
 STA-TRU® HD WOOD-EDGE STEEL SIDELITE

Note:
 1. Overall Length and Width Dimensions are +/- 1/16 inch

*Available as Prem Spec
www.masonite.com

© 2017 Masonite International Corporation. All Rights Reserved.
 Our continuing program of product improvement makes specifications, design and product detail subject to change without notice.

Filename: TM-STA-CRFT HLSTR SL-68 017
 Revision: A
 Date: 01-20-2017
 Section XX XX.X.X