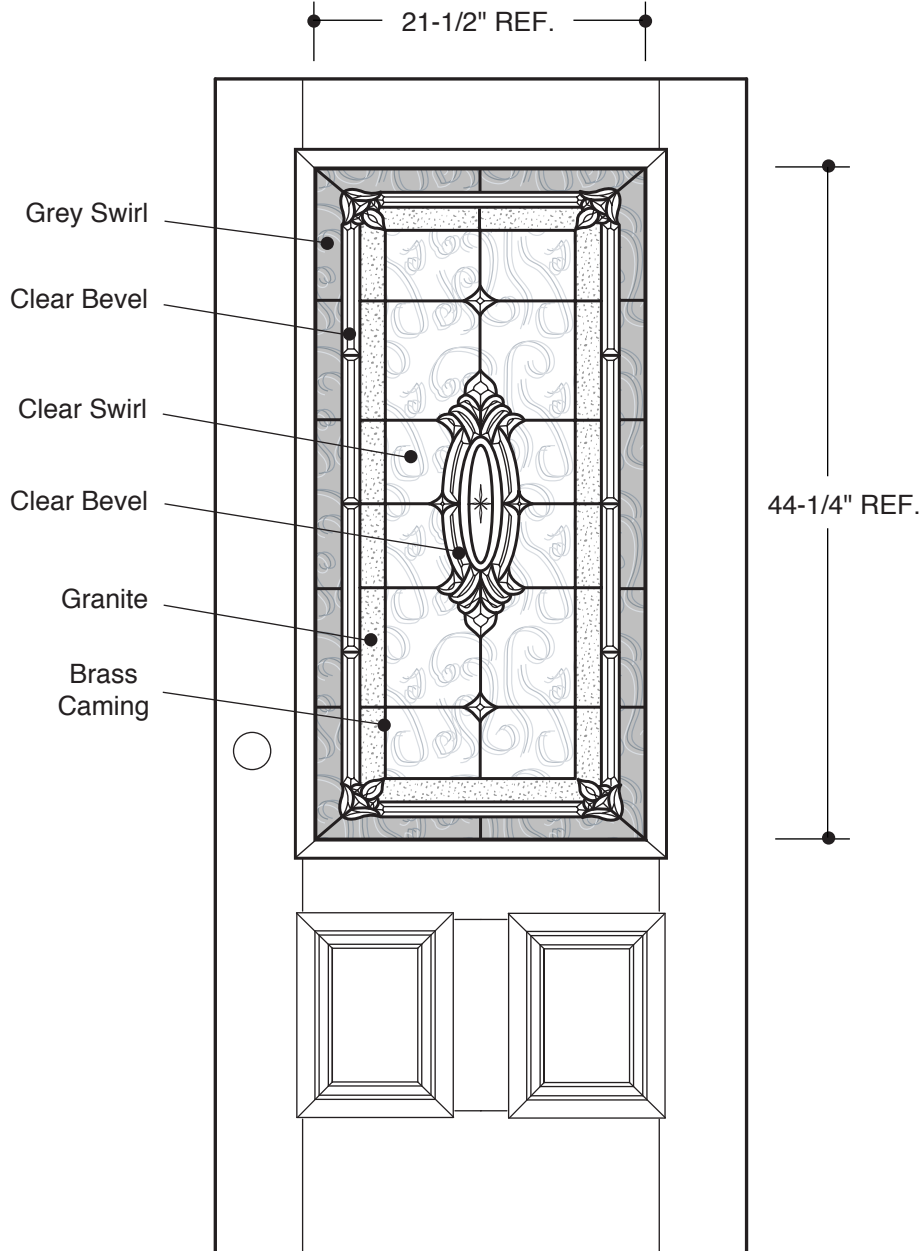


**3/4 LITE RECTANGULAR**



SEE  
ELEVATION  
VIEW  
FOR  
DETAIL

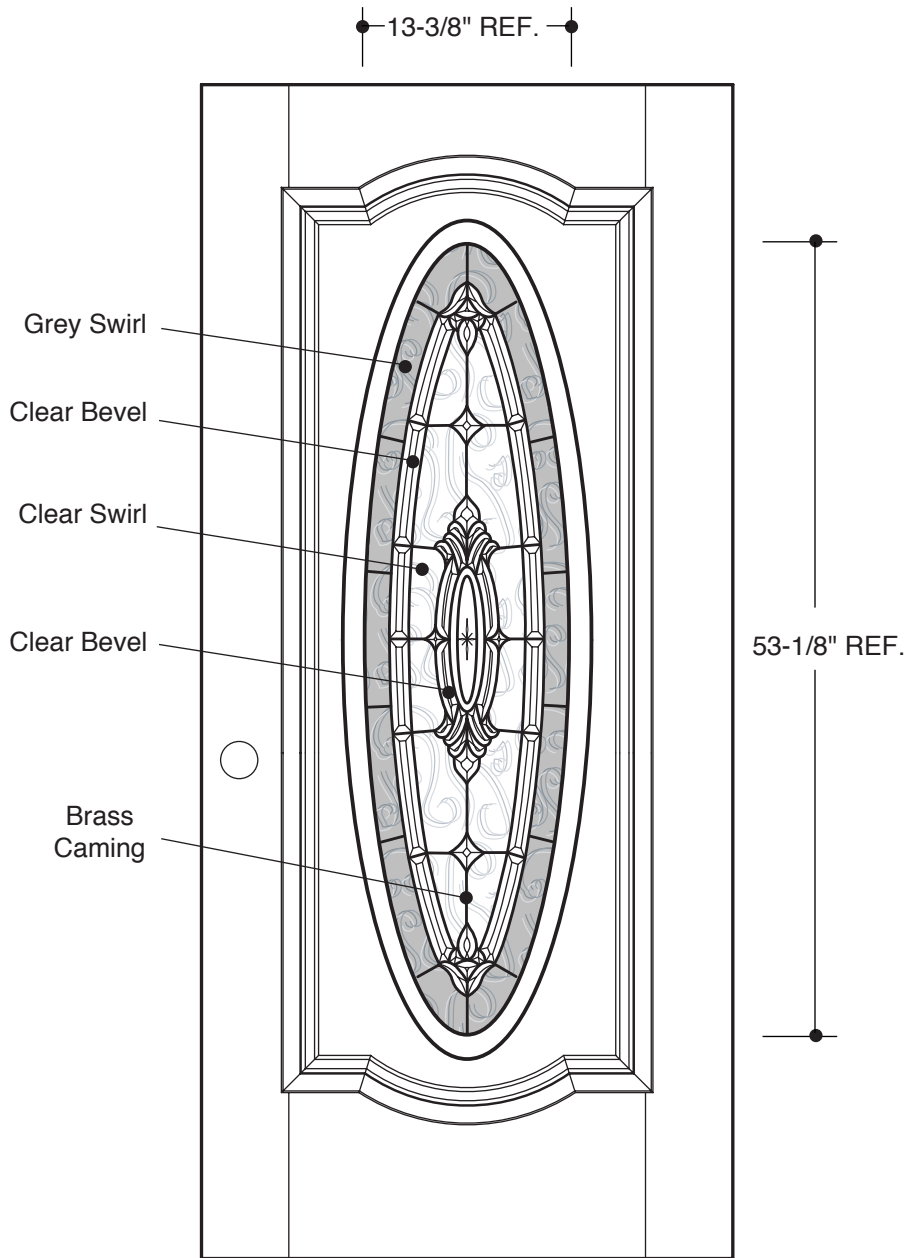
**3'0"**

PART NO.	QTY.	DESCRIPTION
		BARRINGTON® 6'8" BR1 GLASS

Our continuing program of product improvement makes specifications, design and product detail subject to change without notice.



**FULL LITE OVAL**



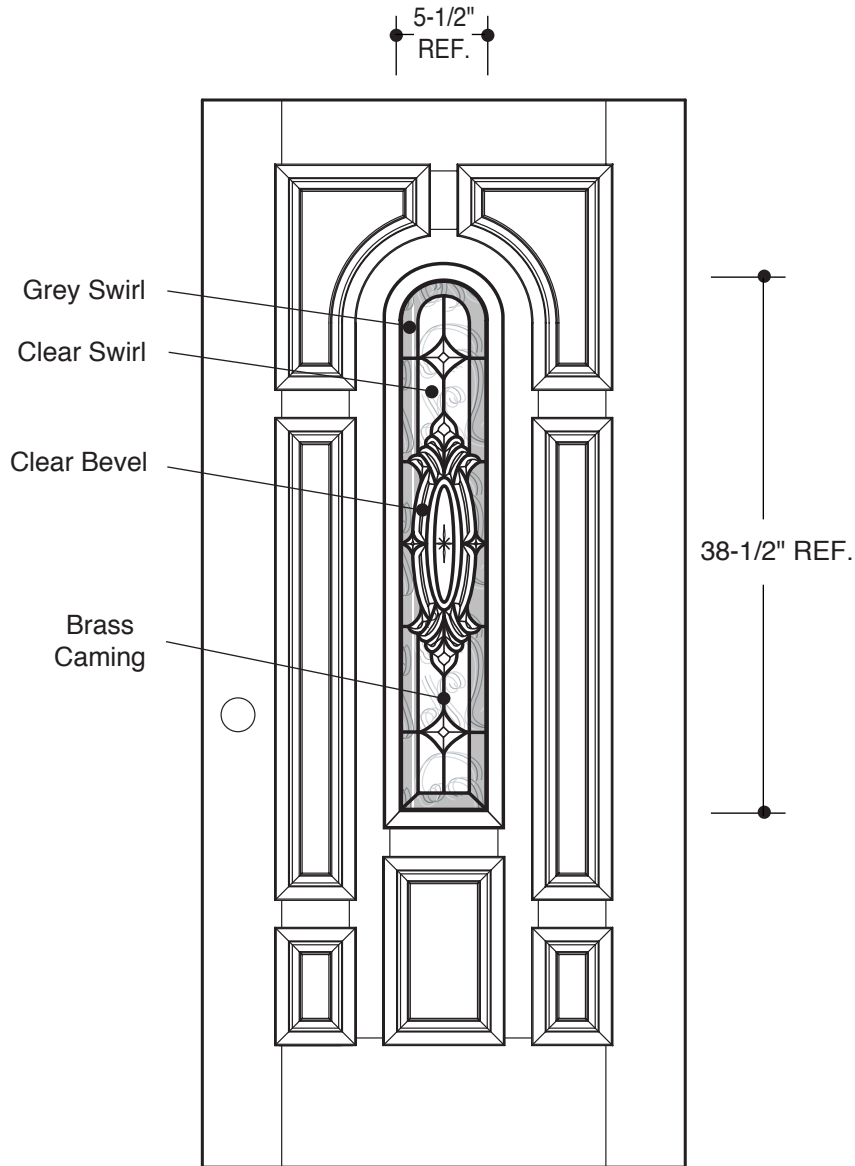
SEE  
ELEVATION  
VIEW  
FOR  
DETAIL

**3'0"**

PART NO.	QTY.	DESCRIPTION
		BARRINGTON® 6'8" BR1 GLASS

Our continuing program of product improvement makes specifications, design and product detail subject to change without notice.

**CENTER ARCHED LITE**

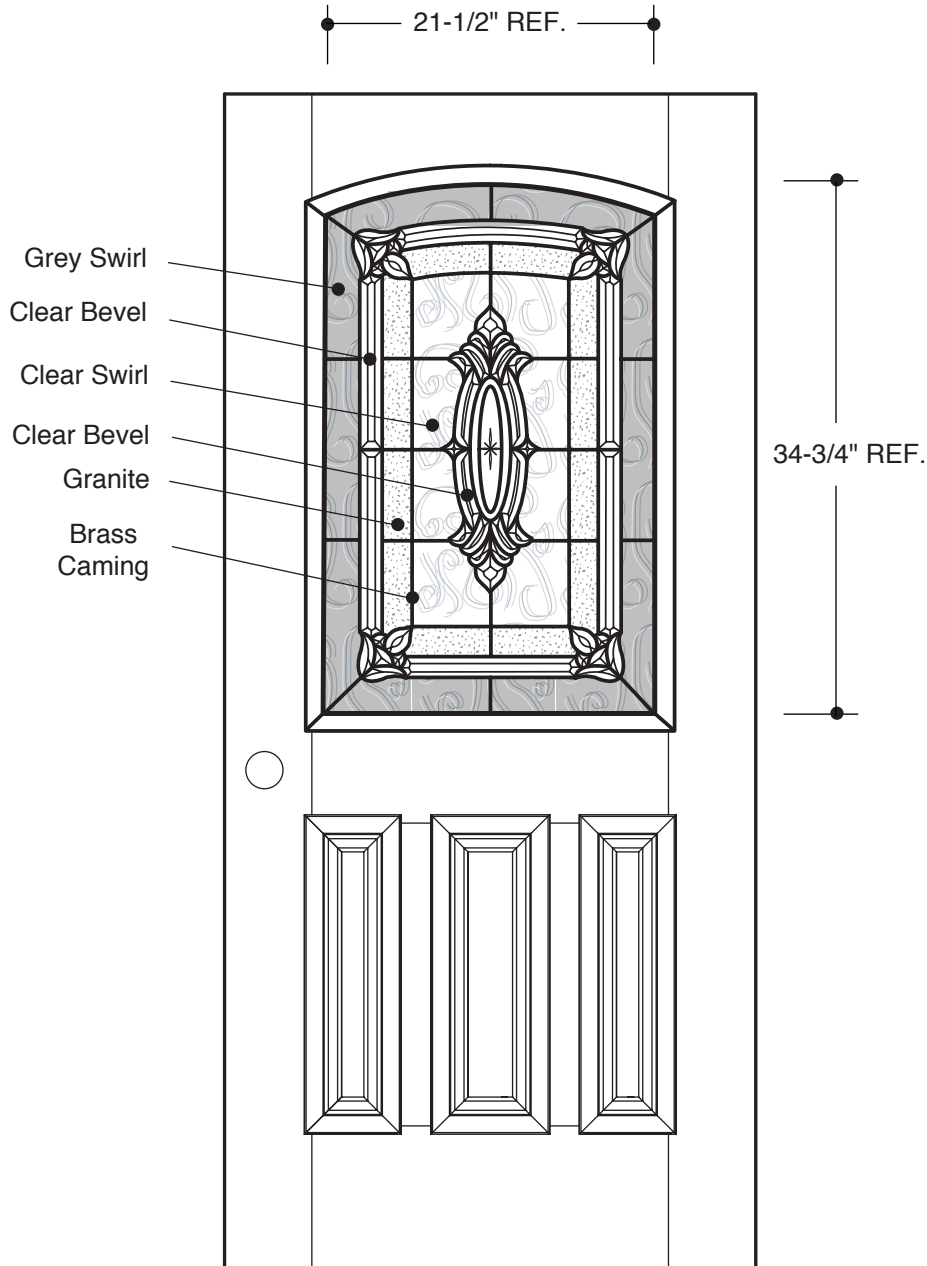


	SEE ELEVATION VIEW FOR DETAIL	3'0"

PART NO.	QTY.	DESCRIPTION
		BARRINGTON® 6'8" BR1 GLASS

Our continuing program of product improvement makes specifications, design and product detail subject to change without notice.

1/2 LITE CAMBER TOP



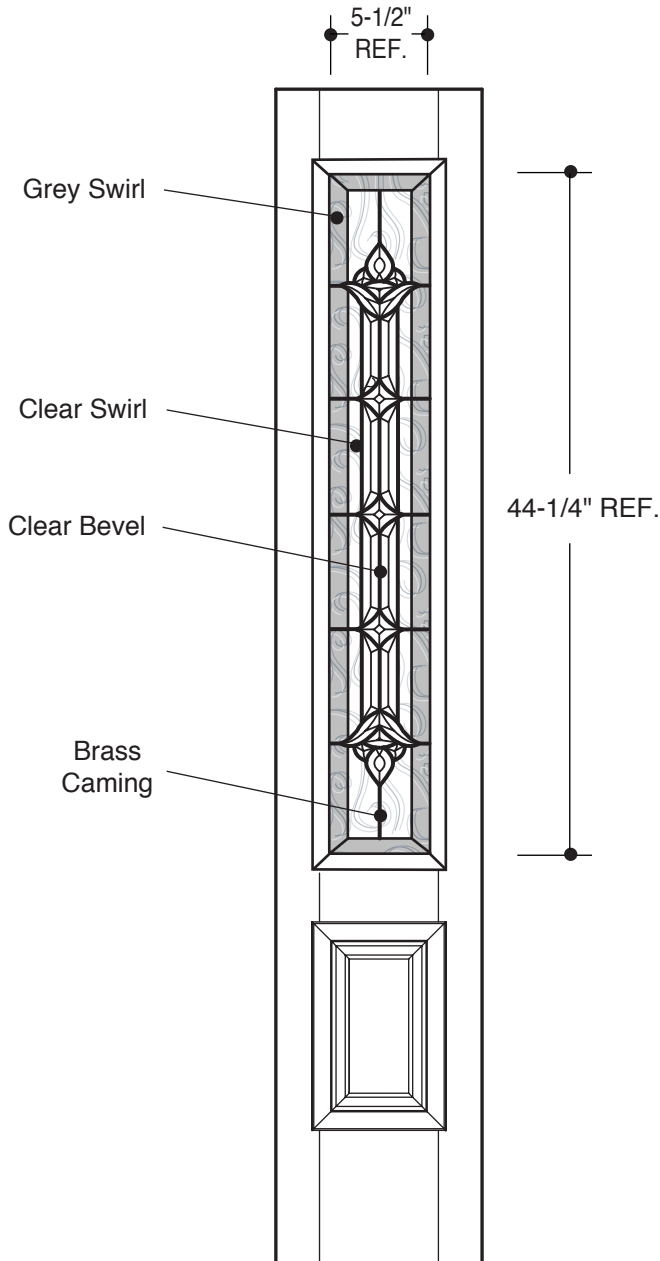
SEE  
ELEVATION  
VIEW  
FOR  
DETAIL

3'0"

PART NO.	QTY.	DESCRIPTION
		BARRINGTON® 6'8" BR1 GLASS

Our continuing program of product improvement makes specifications, design and product detail subject to change without notice.

3/4 LITE RECTANGULAR

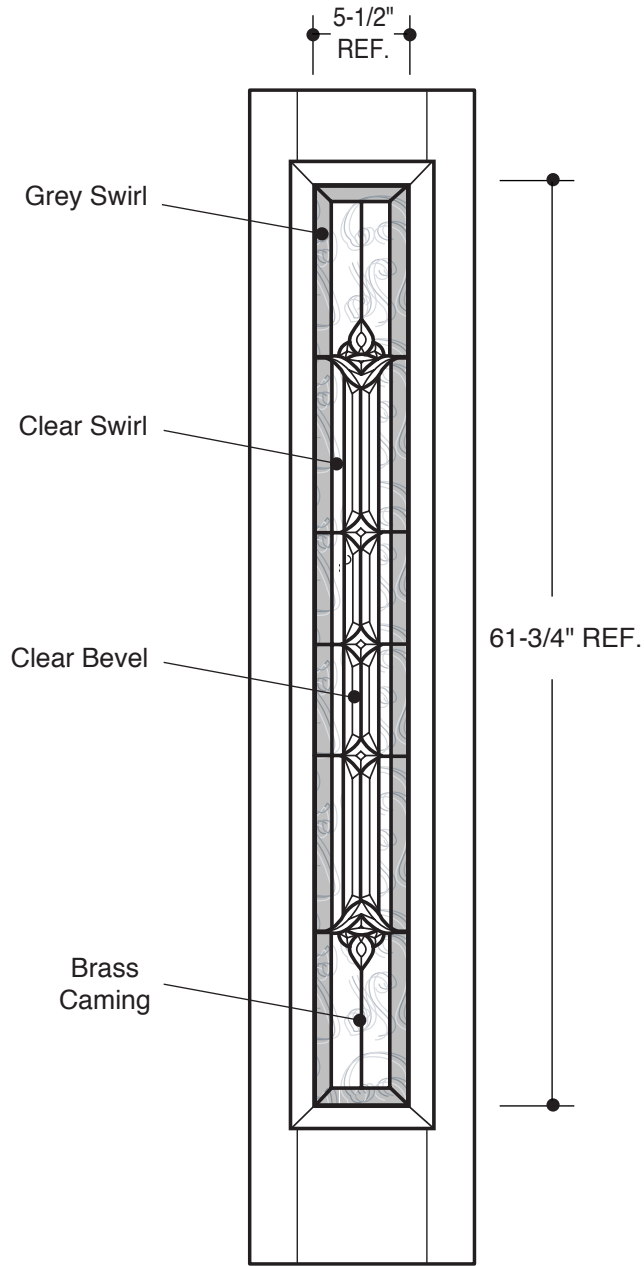


	SEE ELEVATION VIEW FOR DETAIL	12"
	SEE ELEVATION VIEW FOR DETAIL	14"

PART NO.	QTY.	DESCRIPTION
		BARRINGTON® 6'8" BR1 GLASS

Our continuing program of product improvement makes specifications, design and product detail subject to change without notice.

**FULL LITE RECTANGULAR**



	SEE ELEVATION VIEW FOR DETAIL	12"
	SEE ELEVATION VIEW FOR DETAIL	14"

PART NO.	QTY.	DESCRIPTION
		BARRINGTON® 6'8" BR1 GLASS

Our continuing program of product improvement makes specifications, design and product detail subject to change without notice.