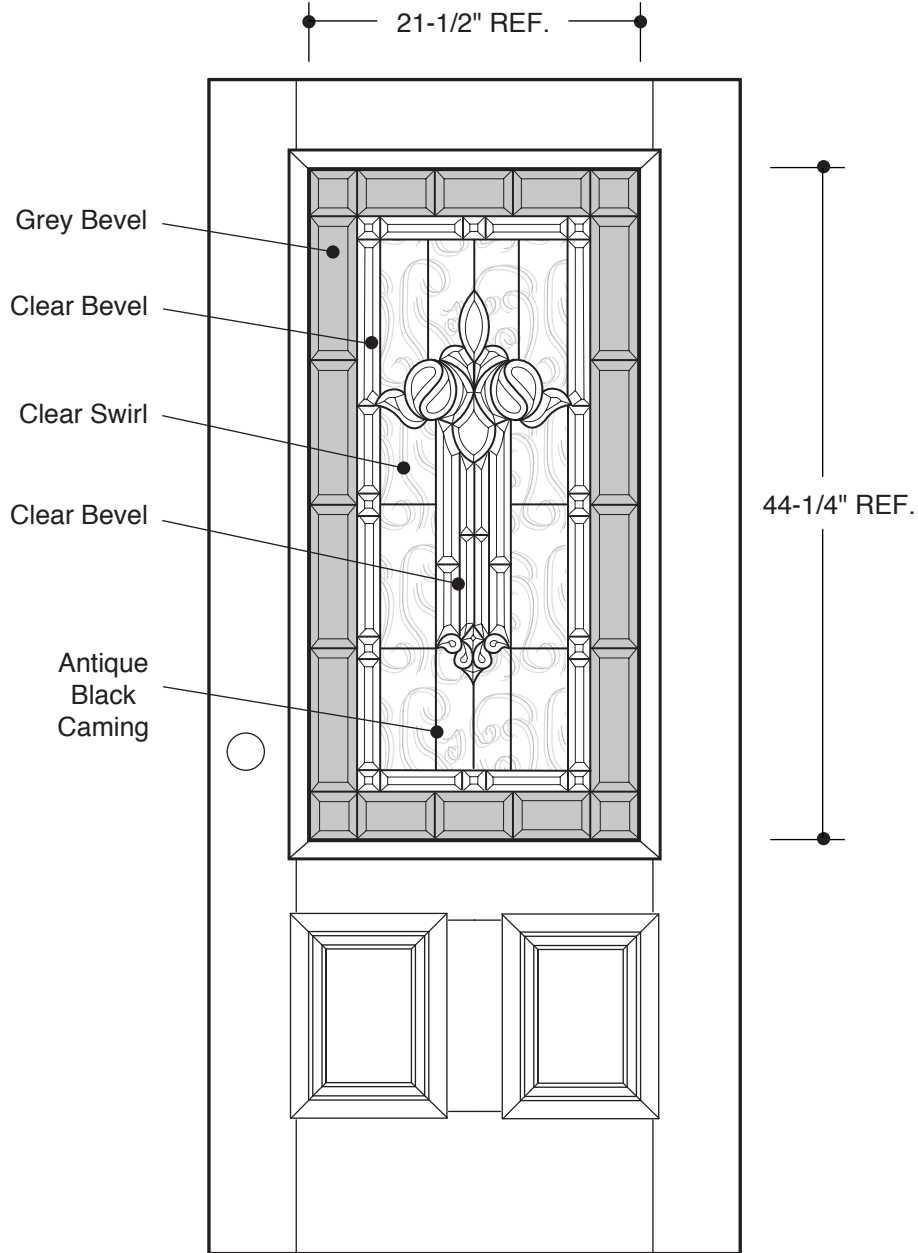


3/4 LITE RECTANGULAR



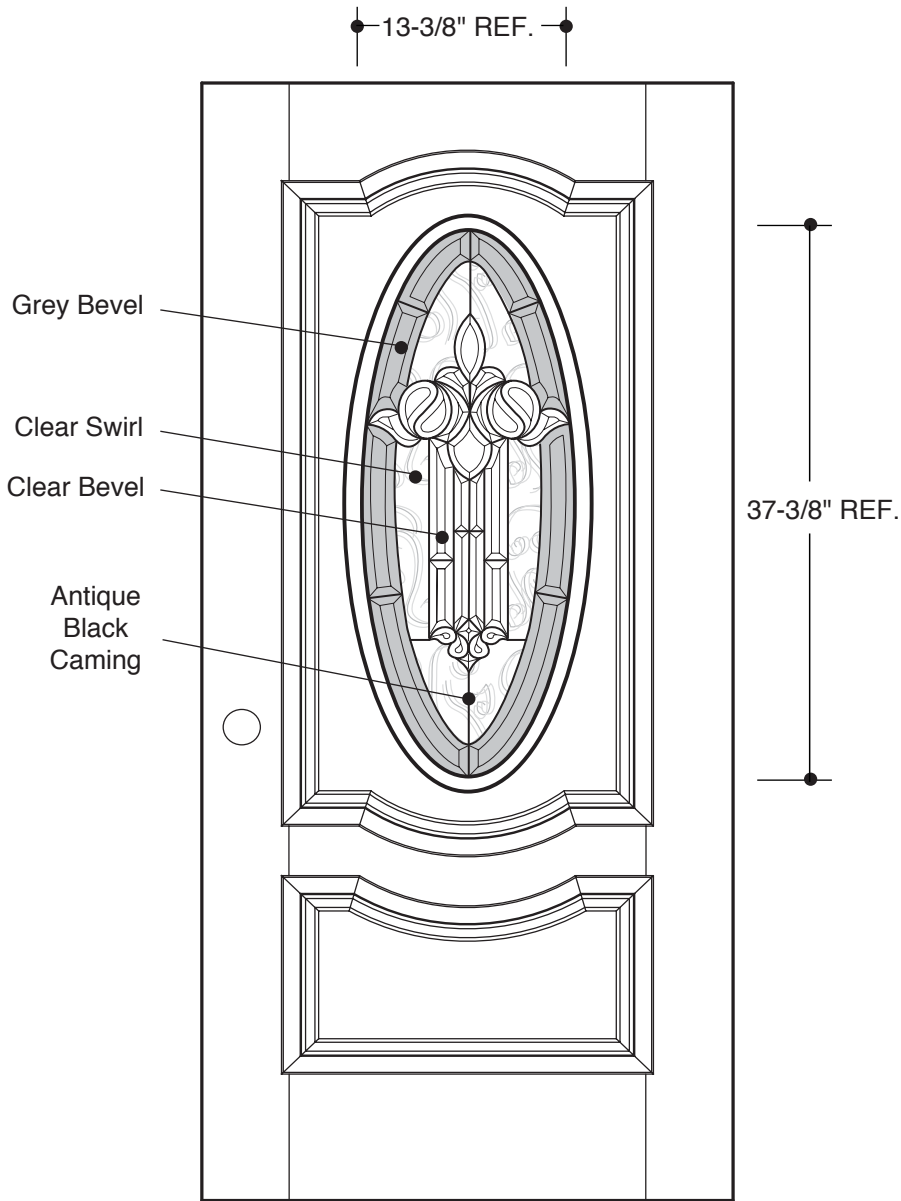
SEE
ELEVATION
VIEW
FOR
DETAIL

3'0"

PART NO.	QTY.	DESCRIPTION
		BARRINGTON® 6'8" BR2 GLASS

Our continuing program of product improvement makes specifications, design and product detail subject to change without notice.

3/4 LITE OVAL

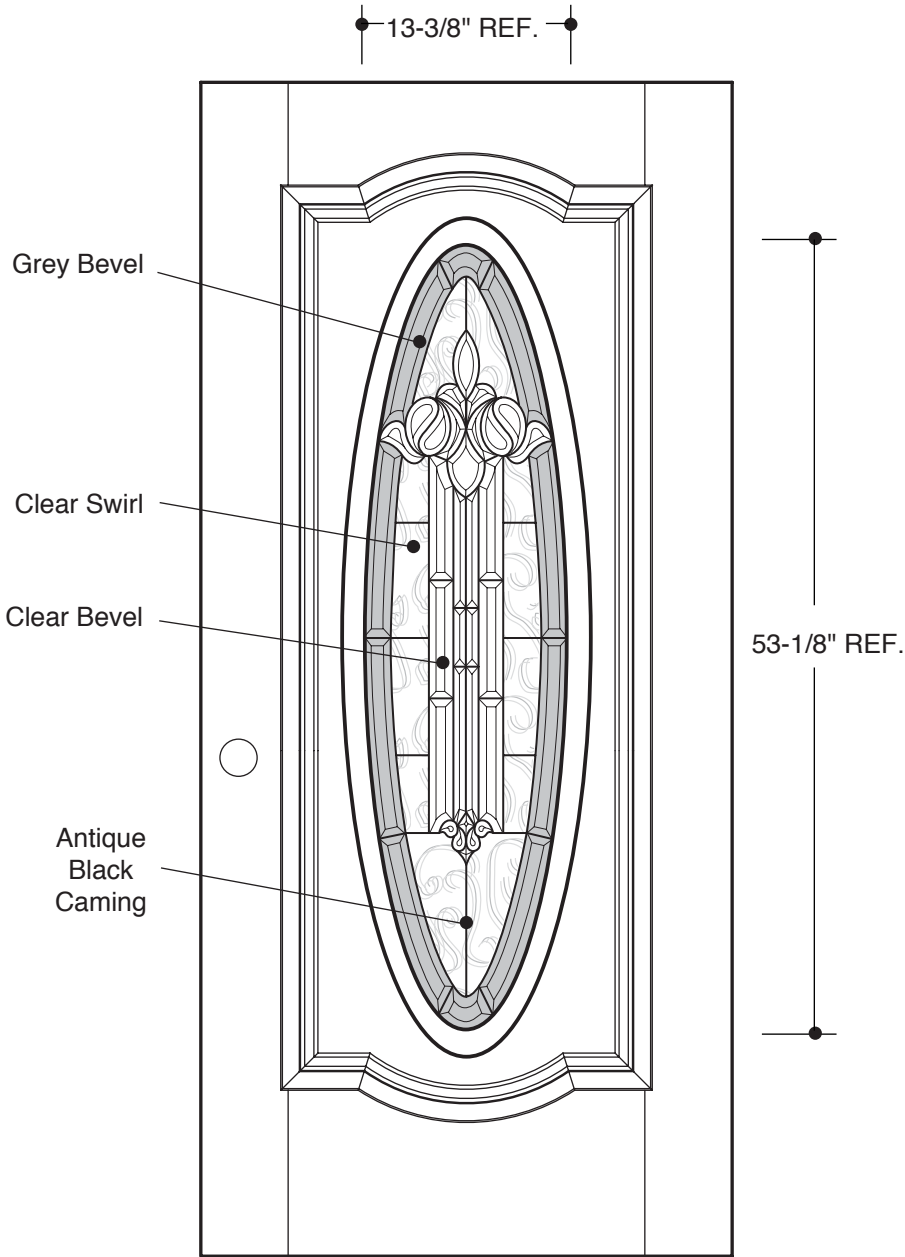


	SEE ELEVATION VIEW FOR DETAIL	3'0"

PART NO.	QTY.	DESCRIPTION
		BARRINGTON® 6'8" BR2 GLASS

Our continuing program of product improvement makes specifications, design and product detail subject to change without notice.

FULL LITE OVAL



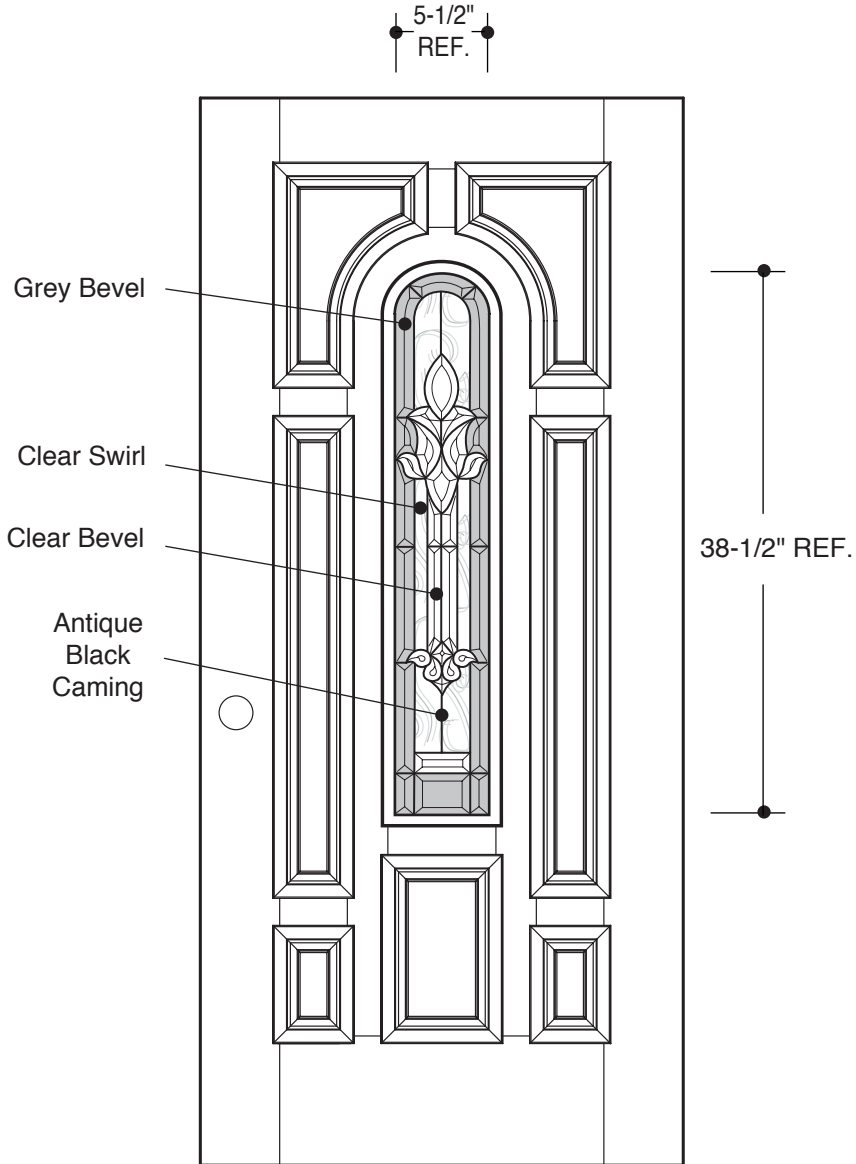
SEE
ELEVATION
VIEW
FOR
DETAIL

3'0"

PART NO.	QTY.	DESCRIPTION
		BARRINGTON® 6'8" BR2 GLASS

Our continuing program of product improvement makes specifications, design and product detail subject to change without notice.

CENTER ARCHED LITE



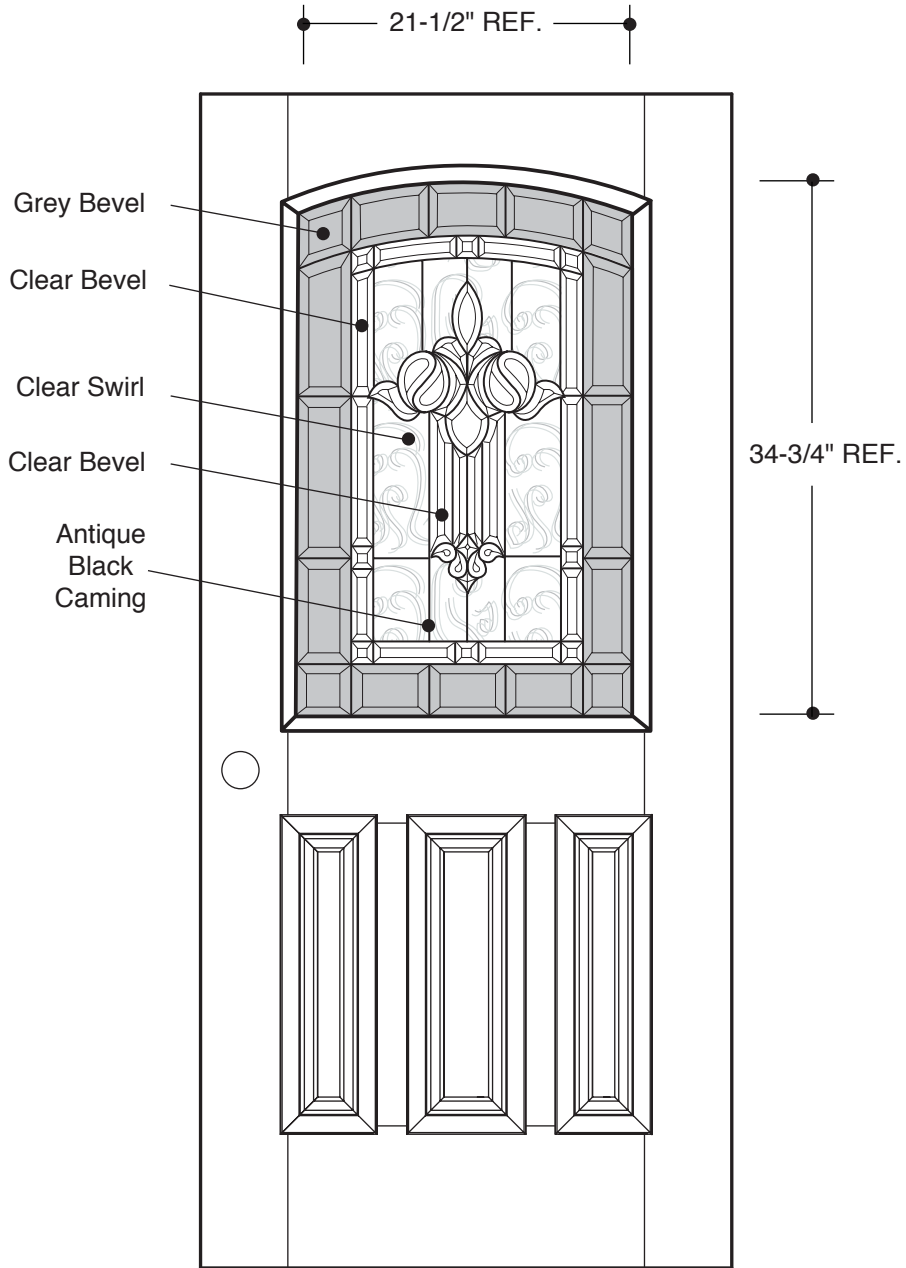
SEE
ELEVATION
VIEW
FOR
DETAIL

3'0"

PART NO.	QTY.	DESCRIPTION
		BARRINGTON® 6'8" BR2 GLASS

Our continuing program of product improvement makes specifications, design and product detail subject to change without notice.

1/2 LITE CAMBER TOP

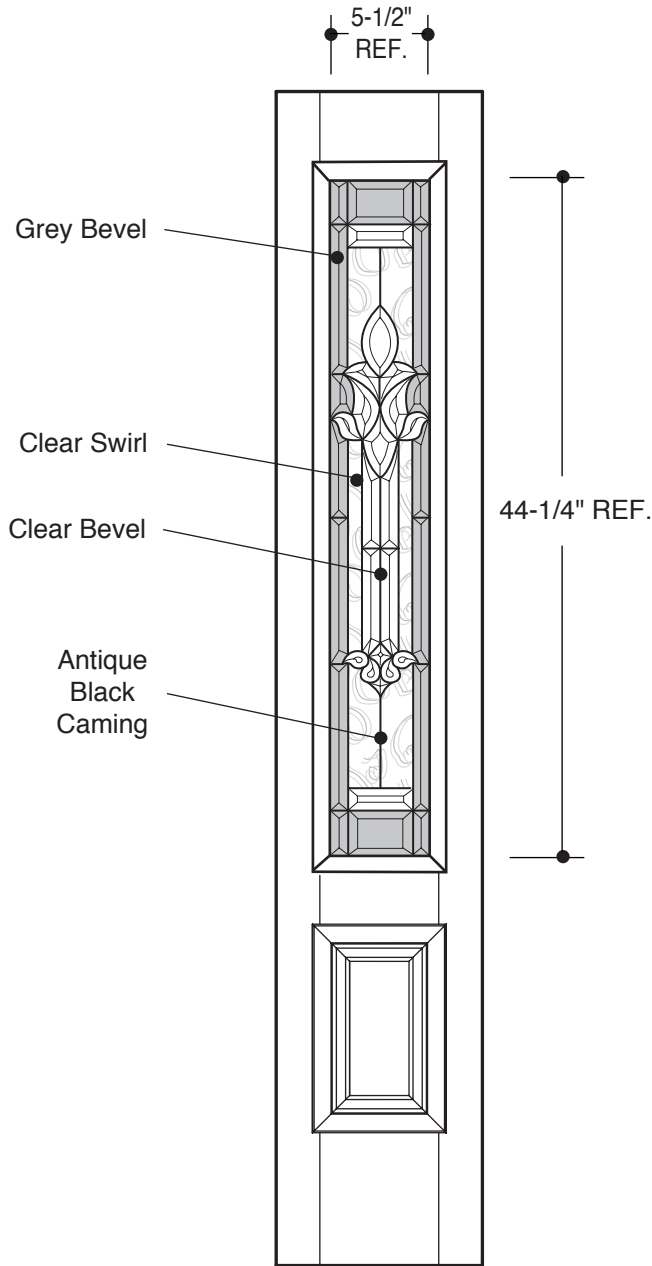


	SEE ELEVATION VIEW FOR DETAIL	3'0"

PART NO.	QTY.	DESCRIPTION
		BARRINGTON® 6'8" BR2 GLASS

Our continuing program of product improvement makes specifications, design and product detail subject to change without notice.

3/4 LITE RECTANGULAR

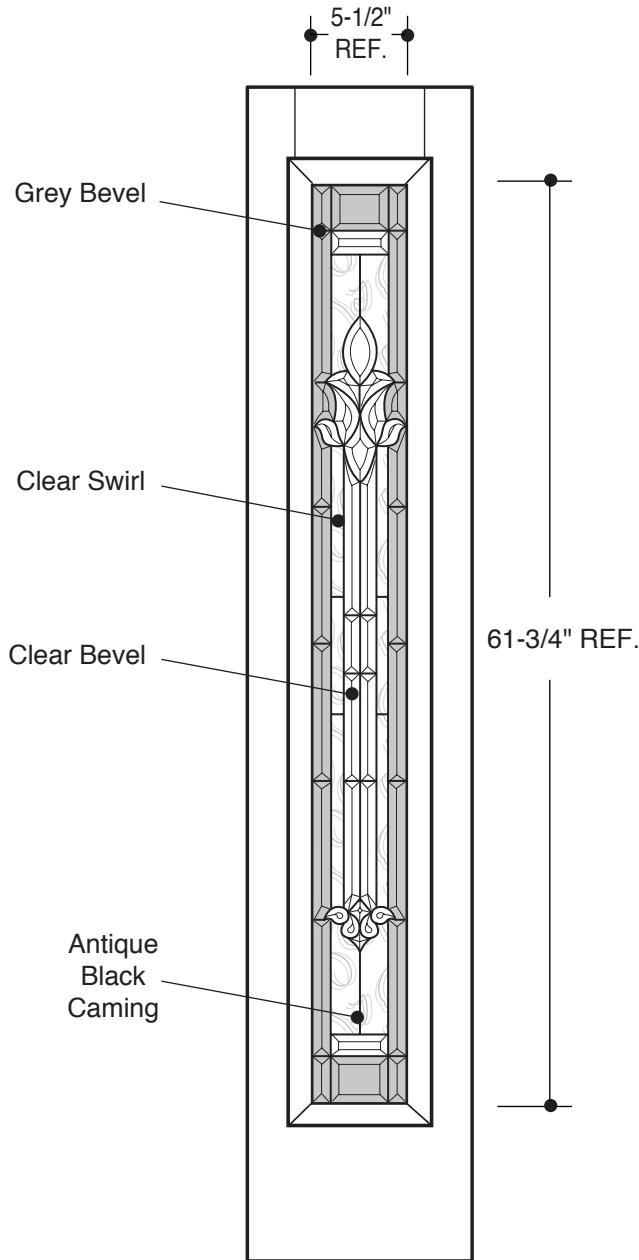


	SEE ELEVATION VIEW FOR DETAIL	12"
	SEE ELEVATION VIEW FOR DETAIL	14"

PART NO.	QTY.	DESCRIPTION
		BARRINGTON® 6'8" BR2 GLASS

Our continuing program of product improvement makes specifications, design and product detail subject to change without notice.

FULL LITE RECTANGULAR



	SEE ELEVATION VIEW FOR DETAIL	12"
	SEE ELEVATION VIEW FOR DETAIL	14"

PART NO.	QTY.	DESCRIPTION
		BARRINGTON® 6'8" BR2 GLASS

Our continuing program of product improvement makes specifications, design and product detail subject to change without notice.