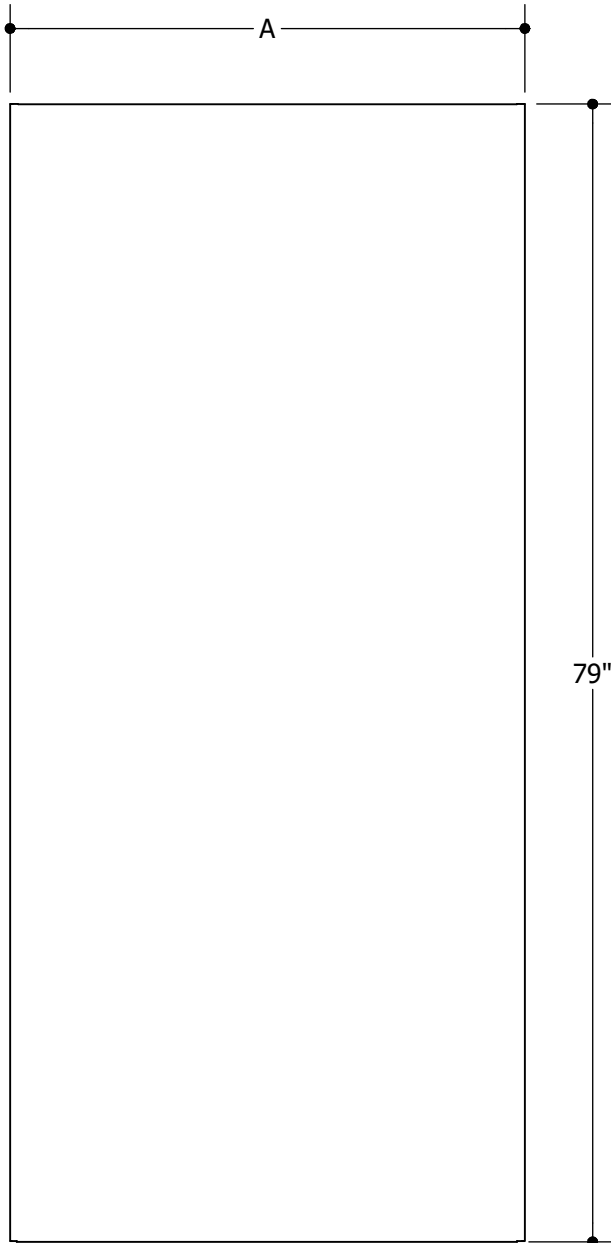


**MASONITE® HD FLUSH 6'8"-7'0"**  
 MASONITE™ SPEC


6'8"	A	23-3/4"	2'0"
6'8"	A	29-3/4"	2'6"
6'8"	A	31-3/4"	2'8"
6'8"	A	33-3/4"	2'10"
6'8"	A	35-3/4"	3'0"

**Options:**

- MASONITE® HD WOOD-EDGE STEEL DOORS
- MASONITE® HD WOOD-EDGE 20-MINUTE RATED STEEL DOORS
- MASONITE® HD METAL-EDGE STEEL DOORS
- MASONITE® HD METAL-EDGE 90-MINUTE RATED STEEL DOORS

**Note:**

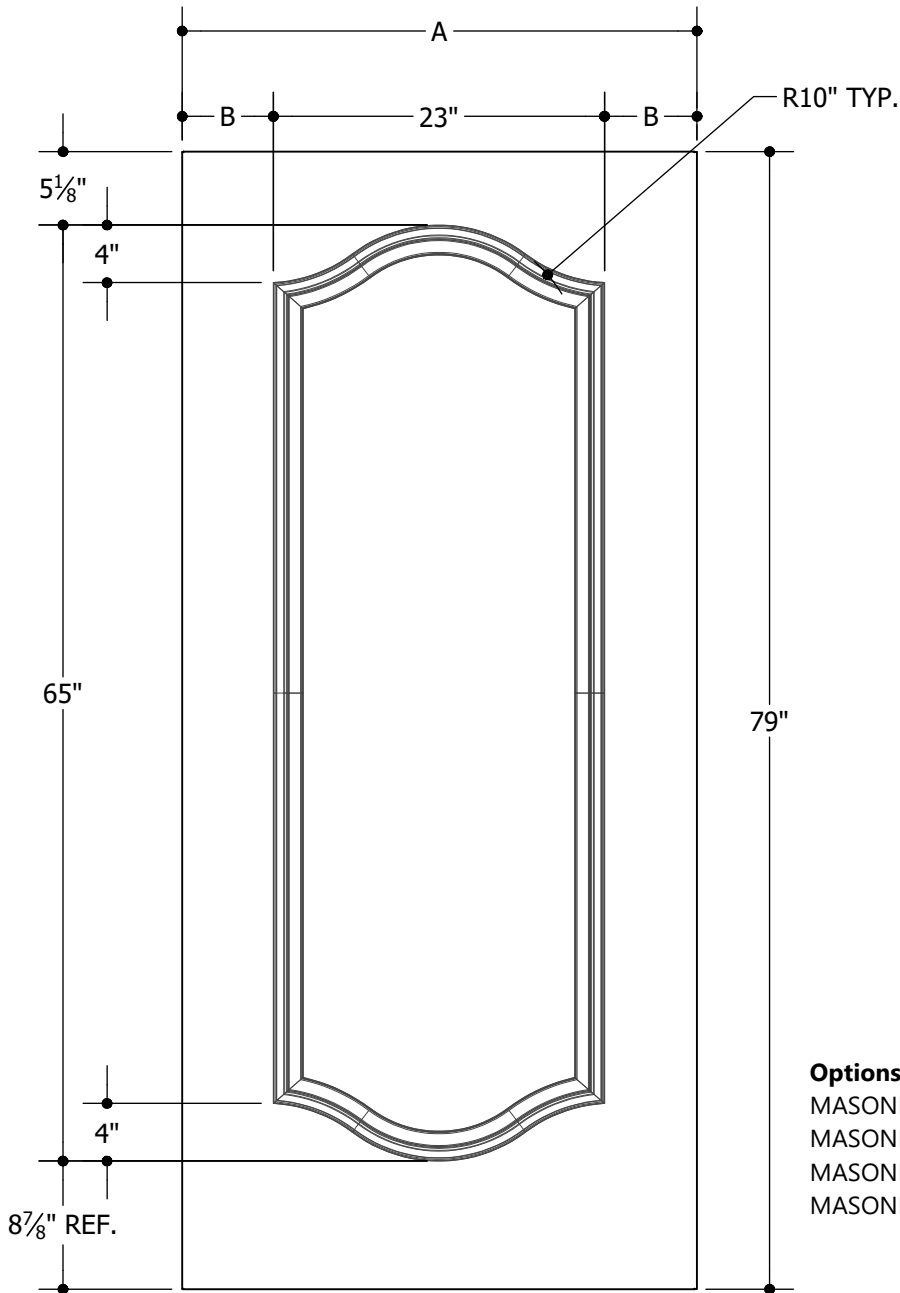
1. Overall Length and Width Dimensions are +/- 1/16 inch
2. Available as 83" length.

\*Available as Prem Spec  
[www.masonite.com](http://www.masonite.com)

© 2017 Masonite International Corporation. All Rights Reserved.  
 Our continuing program of product improvement makes specifications, design and product detail subject to change without notice.

Filename: TM-HD-FL-68 001  
 Revision: A  
 Date: 01-09-2017  
 Section XX XX.X.X

**MASONITE® HD 1-PANEL ARCHED 6'8"-7'0"**  
MASONITE™ SPEC



6'8"	A	31-3/4"	2'8"
	B	4-3/8"	
6'8"	A	33-3/4"	2'10"
	B	5-3/8"	
6'8"	A	35-3/4"	3'0"
	B	6-3/8"	

- Options:**  
 MASONITE® HD WOOD-EDGE STEEL DOORS  
 MASONITE® HD WOOD-EDGE 20-MINUTE RATED STEEL DOORS  
 MASONITE® HD METAL-EDGE STEEL DOORS  
 MASONITE® HD METAL-EDGE 90-MINUTE RATED STEEL DOORS

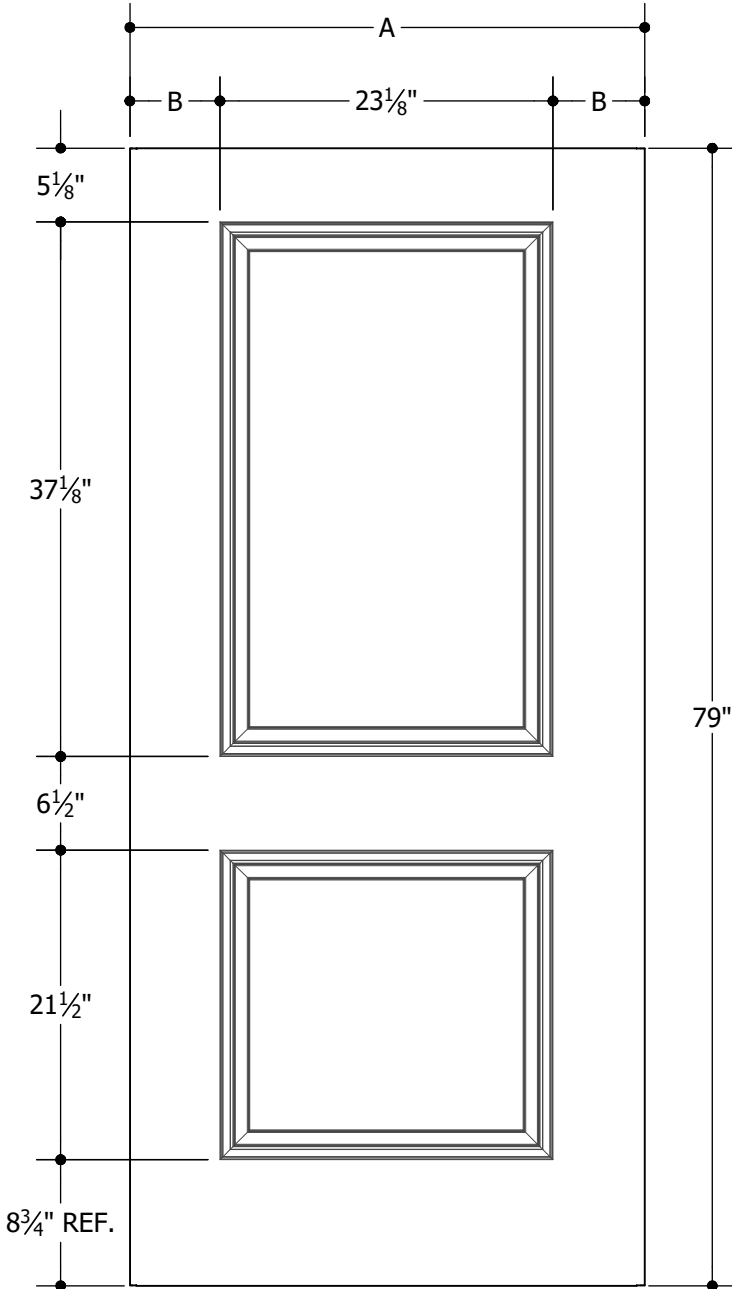
**Note:**  
 1. Overall Length and Width Dimensions are +/- 1/16 inch

\*Available as Prem Spec  
[www.masonite.com](http://www.masonite.com)

© 2017 Masonite International Corporation. All Rights Reserved.  
 Our continuing program of product improvement makes specifications, design and product detail subject to change without notice.

Filename: TM-HD-1P ARC-68 002  
 Revision: A  
 Date: 01-09-2017  
 Section XX XX.XX

**MASONITE® HD 2-PANEL SQUARE-TOP 6'8"-7'0"**  
MASONITE™ SPEC\*



6'8"	A	31-3/4"	2'8"
	B	4-5/16"	
6'8"	A	33-3/4"	2'10"
	B	5-5/16"	
6'8"	A	35-3/4"	3'0"
	B	6-5/16"	

- Options:**
- MASONITE® HD WOOD-EDGE STEEL DOORS
  - MASONITE® HD WOOD-EDGE 20-MINUTE RATED STEEL DOORS
  - MASONITE® HD METAL-EDGE STEEL DOORS
  - MASONITE® HD METAL-EDGE 90-MINUTE RATED STEEL DOORS

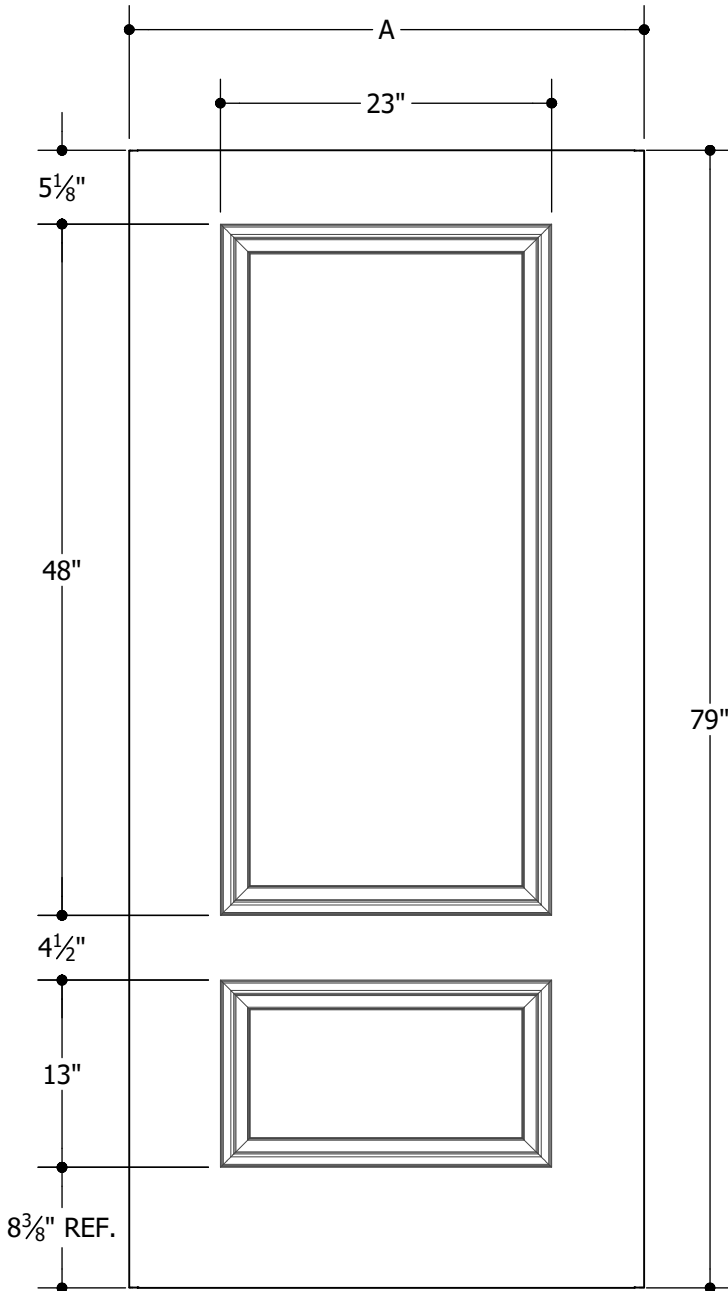
**Note:**  
1. Overall Length and Width Dimensions are +/- 1/16 inch

\*Available as Prem Spec  
[www.masonite.com](http://www.masonite.com)

© 2017 Masonite International Corporation. All Rights Reserved.  
Our continuing program of product improvement makes specifications, design and product detail subject to change without notice.

Filename: TM-HD-2P SQR TP-68 003  
Revision: A  
Date: 01-09-2017  
Section XX XX.X.X

**MASONITE® 2-PANEL HOLLISTER® 6'8"-7'0"**  
MASONITE™ SPEC\*



6'8"	A	31-3/4"	2'8"
6'8"	A	33-3/4"	2'10"
6'8"	A	35-3/4"	3'0"

- Options:**
- MASONITE® HD WOOD-EDGE STEEL DOORS
  - MASONITE® HD WOOD-EDGE 20-MINUTE RATED STEEL DOORS
  - MASONITE® HD METAL-EDGE STEEL DOORS
  - MASONITE® HD METAL-EDGE 90-MINUTE RATED STEEL DOORS

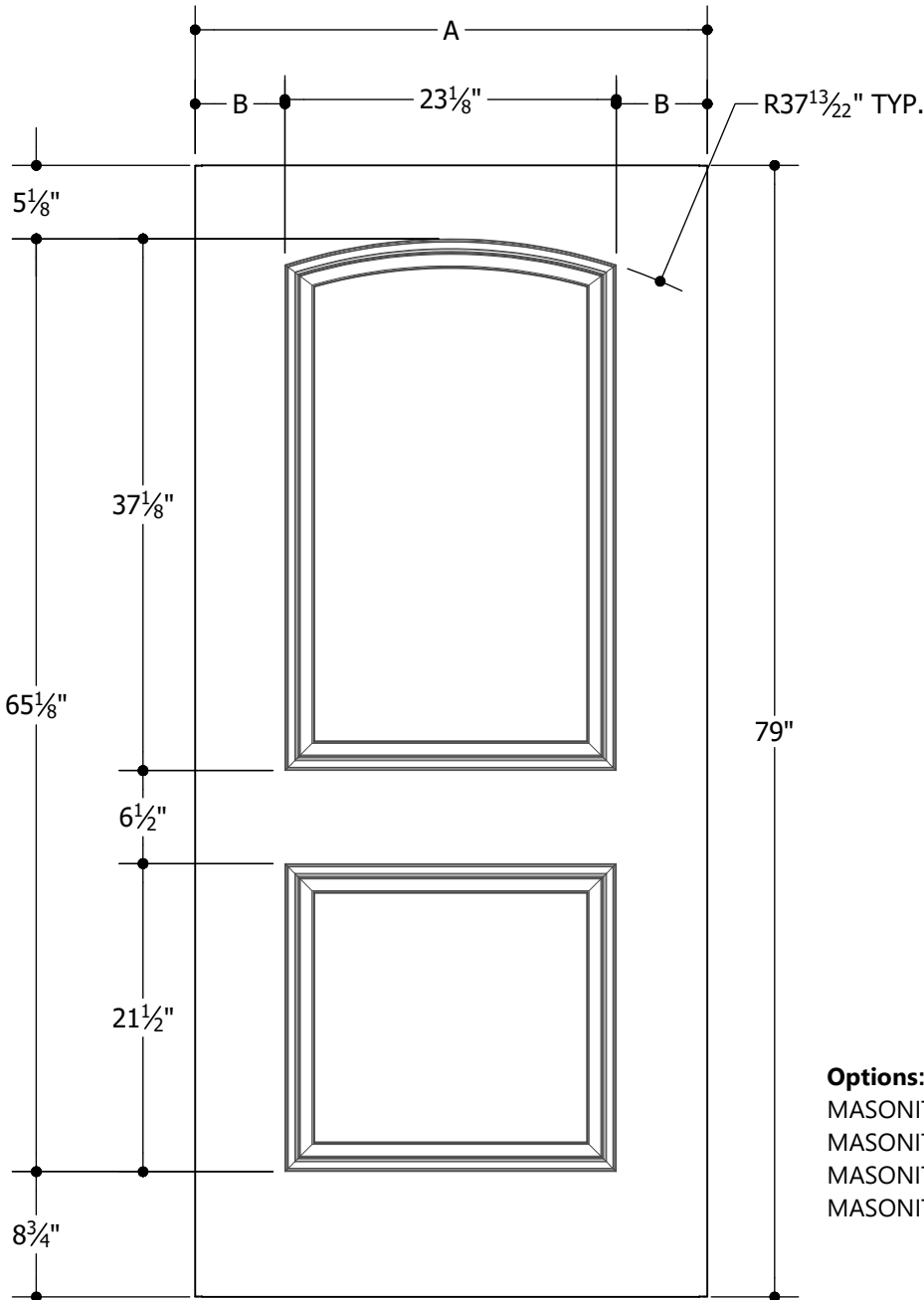
**Note:**  
 1. Overall Length and Width Dimensions are +/- 1/16 inch  
 2. Available as 83" length.

\*Available as Prem Spec  
[www.masonite.com](http://www.masonite.com)

© 2017 Masonite International Corporation. All Rights Reserved.  
 Our continuing program of product improvement makes specifications, design and product detail subject to change without notice.

Filename: TM-HD-2P HLSTR-68 004  
 Revision: A  
 Date: 01-09-2017  
 Section XX XX.X.X

**MASONITE® HD 2-PANEL CAMBER-TOP 6'8"-7'0"**  
MASONITE™ SPEC\*



6'8"	A	31-3/4"	2'8"
	B	4-5/16"	
6'8"	A	33-3/4"	2'10"
	B	5-5/16"	
6'8"	A	35-3/4"	3'0"
	B	6-5/16"	

- Options:**  
MASONITE® HD WOOD-EDGE STEEL DOORS  
MASONITE® HD WOOD-EDGE 20-MINUTE RATED STEEL DOORS  
MASONITE® HD METAL-EDGE STEEL DOORS  
MASONITE® HD METAL-EDGE 90-MINUTE STEEL DOORS

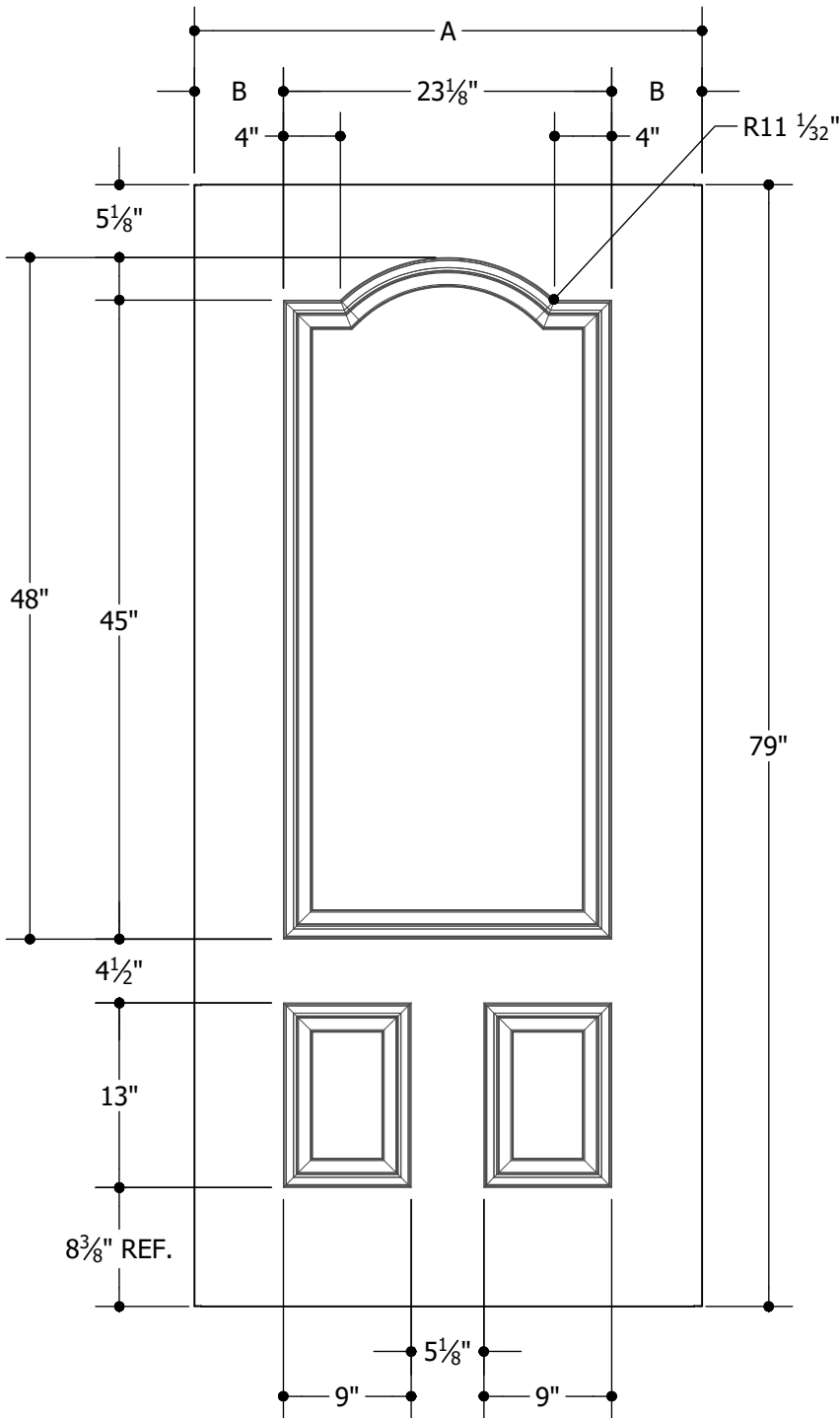
**Note:**  
1. Overall Length and Width Dimensions are +/- 1/16 inch  
2. Available as 83" length.

\*Available as Prem Spec  
[www.masonite.com](http://www.masonite.com)

© 2017 Masonite International Corporation. All Rights Reserved.  
Our continuing program of product improvement makes specifications, design and product detail subject to change without notice.

Filename: TM-HD-2P CMBR TP-68 005  
Revision: A  
Date: 01-09-2017  
Section XX XX.X.X

**MASONITE® 3-PANEL ARCH TOP 6'8"-7'0"**  
MASONITE™ SPEC\*



6'8"	A	31-3/4"	2'8"
	B	4-5/16"	
6'8"	A	33-3/4"	2'10"
	B	5-5/16"	
6'8"	A	35-3/4"	3'0"
	B	6-5/16"	

**Options:**

- MASONITE® WOOD-EDGE STEEL DOORS
- MASONITE® WOOD-EDGE 20-MINUTE RATED STEEL DOORS
- MASONITE® METAL-EDGE STEEL DOORS
- MASONITE® METAL-EDGE 90-MINUTE RATED STEEL DOORS

**Note:**

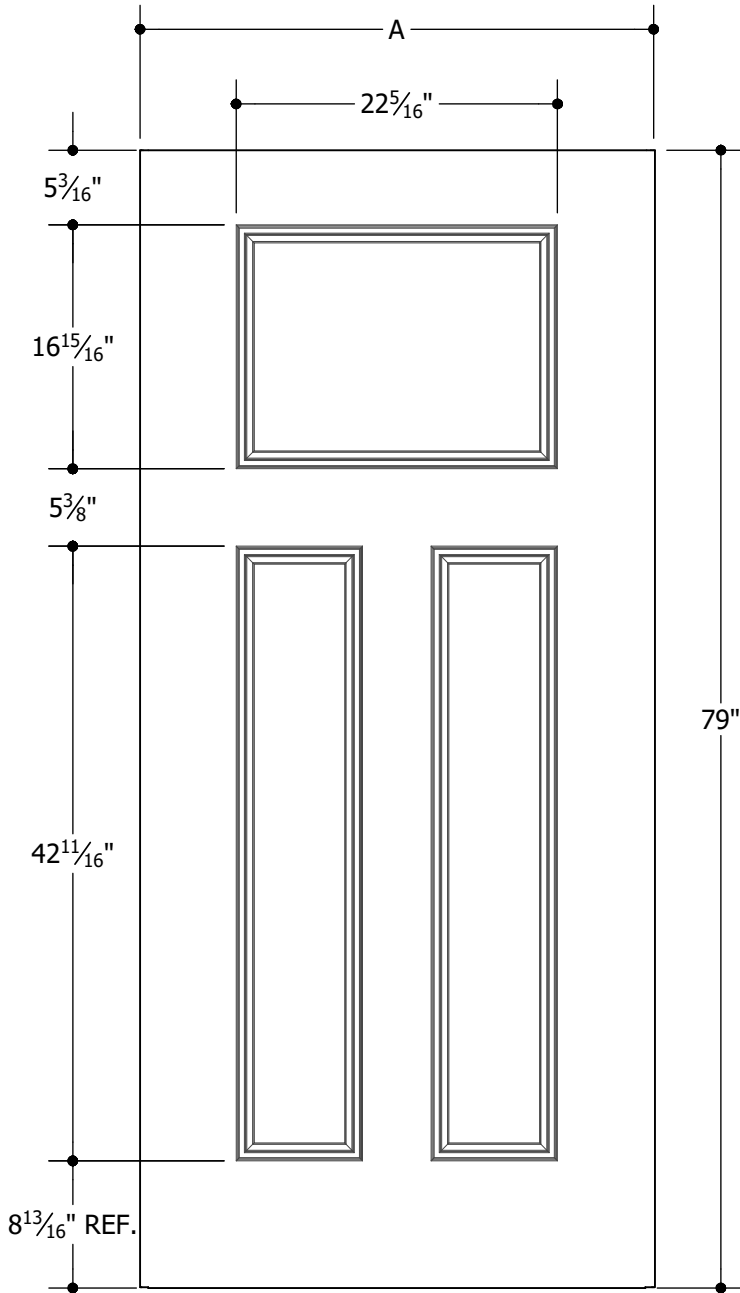
- Overall Length and Width Dimensions are +/- 1/16 inch
- Available as 83" length

\*Available as Prem Spec  
[www.masonite.com](http://www.masonite.com)

© 2017 Masonite International Corporation. All Rights Reserved.  
Our continuing program of product improvement makes specifications, design and product detail subject to change without notice.

Filename: TM-HD-3P ARCH TP-68 006  
Revision: A  
Date: 01-09-2017  
Section XX XX.XX

**MASONITE® HD 3-PANEL CRAFTSMAN 6'8"-7'0"**  
MASONITE™ SPEC\*



6'8"	A	31-3/4"	2'8"
6'8"	A	33-3/4"	2'10"
6'8"	A	35-3/4"	3'0"

- Options:**  
MASONITE® HD WOOD-EDGE STEEL DOORS  
MASONITE® HD WOOD-EDGE 20-MINUTE RATED STEEL DOORS  
MASONITE® HD METAL-EDGE STEEL DOORS  
MASONITE® HD METAL-EDGE 90-MINUTE RATED STEEL DOORS

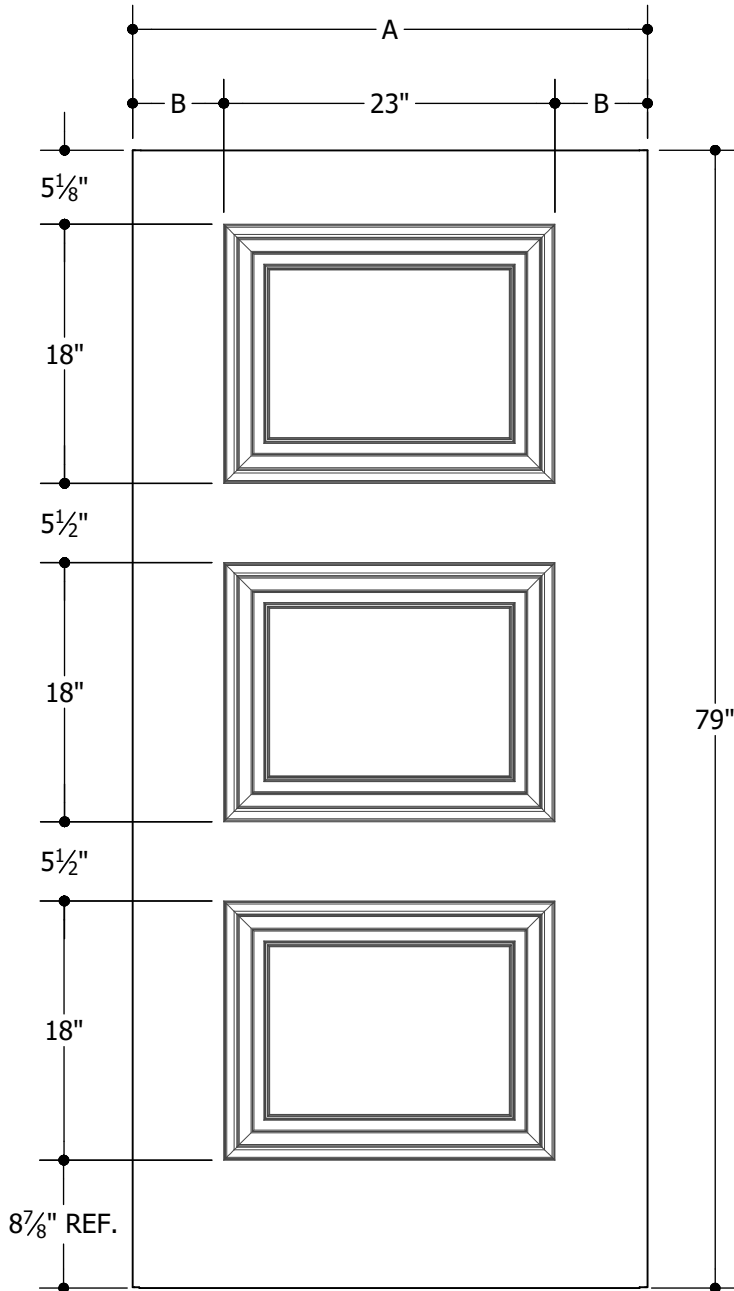
**Note:**  
1. Overall Length and Width Dimensions are +/- 1/16 inch  
2. Available as 83" length.

\*Available as Prem Spec  
[www.masonite.com](http://www.masonite.com)

© 2017 Masonite International Corporation. All Rights Reserved.  
Our continuing program of product improvement makes specifications, design and product detail subject to change without notice.

Filename: TM-HD-3P CRFT-68 007  
Revision: A  
Date: 01-09-2017  
Section XX XX.X.X

**MASONITE® HD 3-PANEL EQUAL 6'8"-7'0"**  
MASONITE™ SPEC\*



6'8"	A	31-3/4"	2'8"
	B	4-3/8"	
6'8"	A	33-3/4"	2'10"
	B	5-3/8"	
6'8"	A	35-3/4"	3'0"
	B	6-3/8"	

- Options:**  
MASONITE® HD WOOD-EDGE STEEL DOORS  
MASONITE® HD WOOD-EDGE 20-MINUTE RATED STEEL DOORS  
MASONITE® HD METAL-EDGE STEEL DOORS  
MASONITE® HD METAL EDGE 90-MINUTE RATED STEEL DOORS

**Note:**  
1. Overall Length and Width Dimensions are +/- 1/16 inch  
2. Available as 83" length.

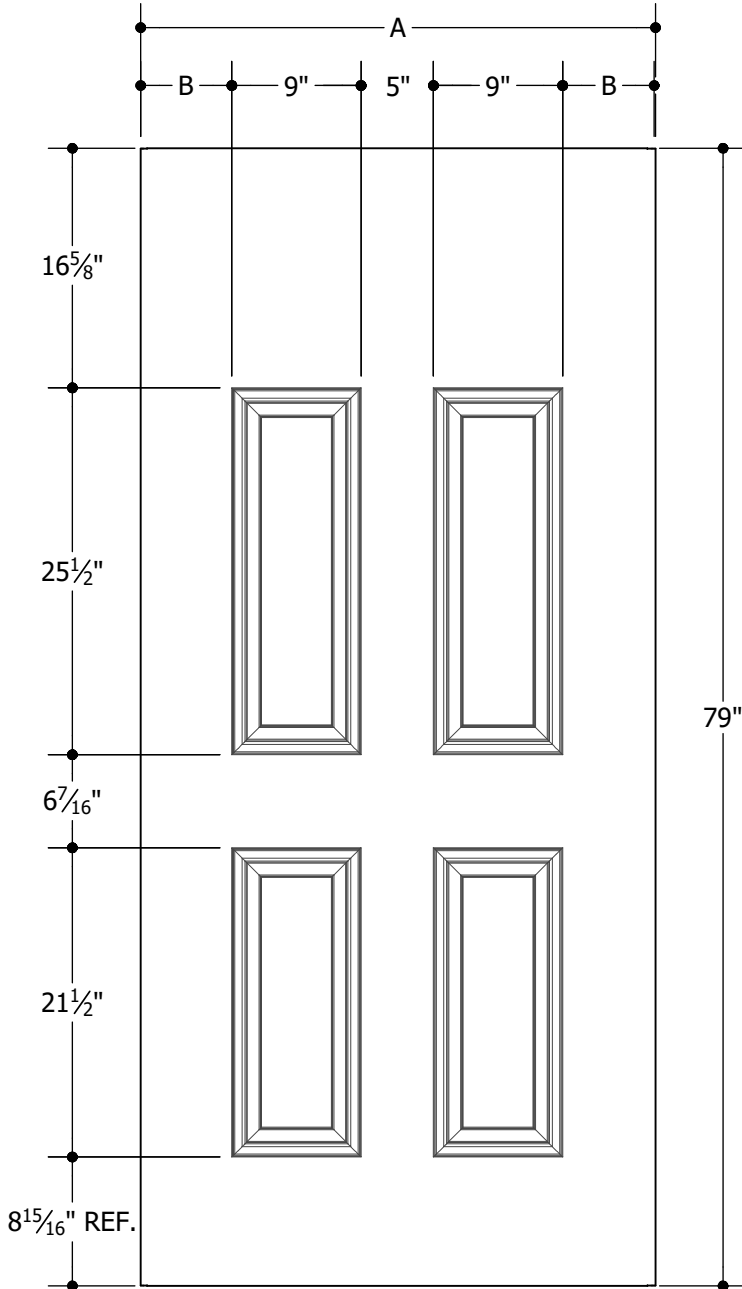
\*Available as Prem Spec  
[www.masonite.com](http://www.masonite.com)

© 2017 Masonite International Corporation. All Rights Reserved.  
Our continuing program of product improvement makes specifications, design and product detail subject to change without notice.

Filename: TM-3P EQL-68 008  
Revision: A  
Date: 01-09-2017  
Section XX XX.X.X



**MASONITE® HD 4-PANEL BLANK TOP 6'8"-7'0"**  
MASONITE™ SPEC\*



6'8"	A	31-3/4"	2'8"
	B	4-3/8"	
6'8"	A	33-3/4"	2'10"
	B	5-3/8"	
6'8"	A	35-3/4"	3'0"
	B	6-3/8"	

**Options:**  
MASONITE® HD WOOD-EDGE STEEL DOORS  
MASONITE® HD METAL-EDGE STEEL DOORS

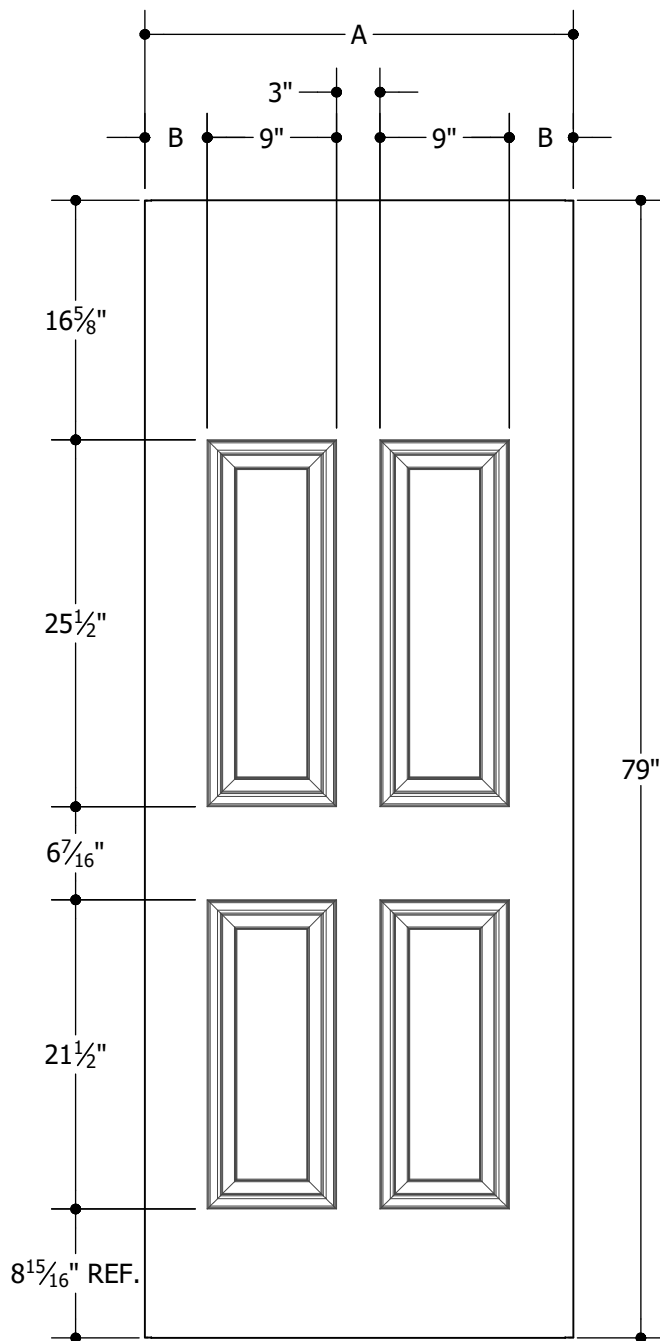
**Note:**  
1. Overall Length and Width Dimensions are +/- 1/16 inch  
2. Available as 83" length.

\*Available as Prem Spec  
[www.masonite.com](http://www.masonite.com)

© 2017 Masonite International Corporation. All Rights Reserved.  
Our continuing program of product improvement makes specifications, design and product detail subject to change without notice.

Filename: TM-HD-4P BLNK TP-68 009  
Revision: A  
Date: 01-10-2017  
Section XX XX.X.X

**MASONITE® HD 4-PANEL NARROW BLANK TOP 6'8"-7'0"**  
MASONITE™ SPEC\*



6'8"	A	29-3/4"	2'6"
	B	4-3/8"	

- Options:**  
MASONITE® HD WOOD-EDGE STEEL DOORS  
MASONITE® HD METAL-EDGE STEEL DOORS

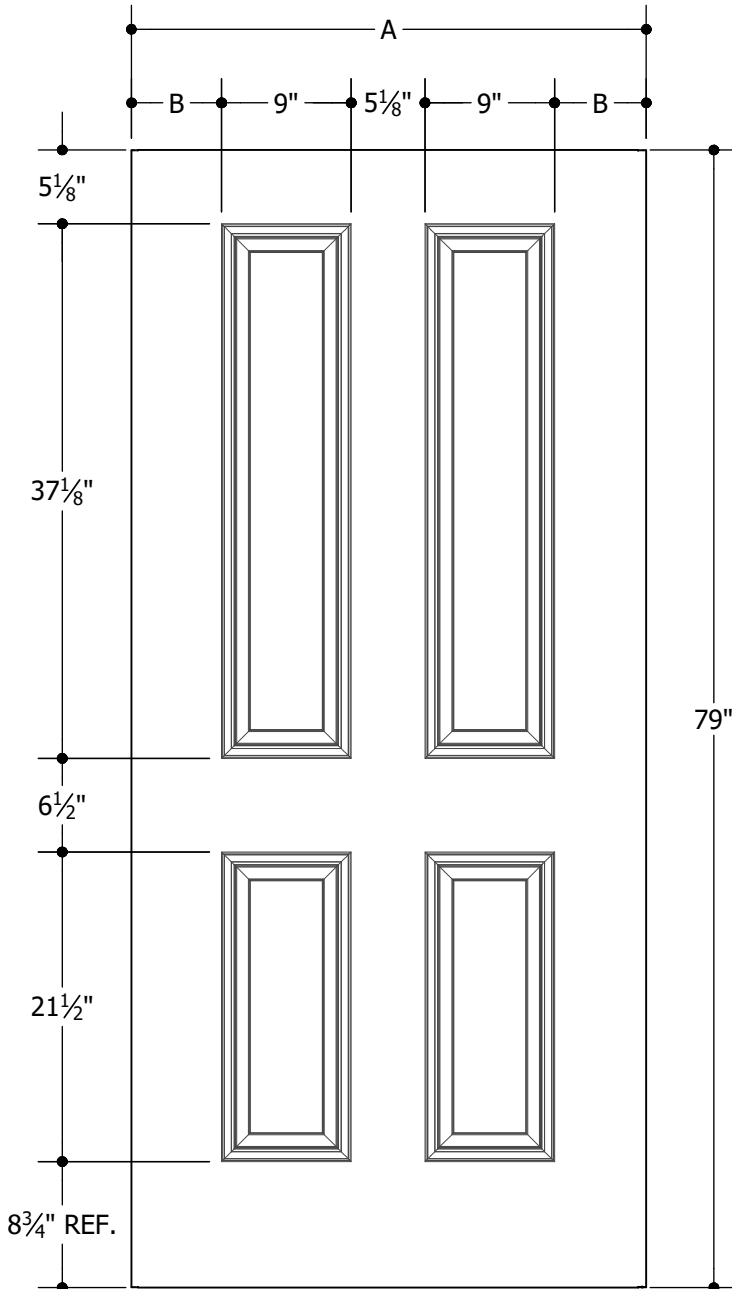
**Note:**  
1. Overall Length and Width Dimensions are +/- 1/16 inch  
2. Available as 83" length.

\*Available as Prem Spec  
[www.masonite.com](http://www.masonite.com)

© 2017 Masonite International Corporation. All Rights Reserved.  
Our continuing program of product improvement makes specifications, design and product detail subject to change without notice.

Filename: TM-HD-4P NRW BLNK TP-68 009  
Revision: A  
Date: 01-10-2017  
Section XX XX.X.X

**MASONITE® HD 4-PANEL NEW ENGLAND 6'8"-7'0"**  
MASONITE™ SPEC\*

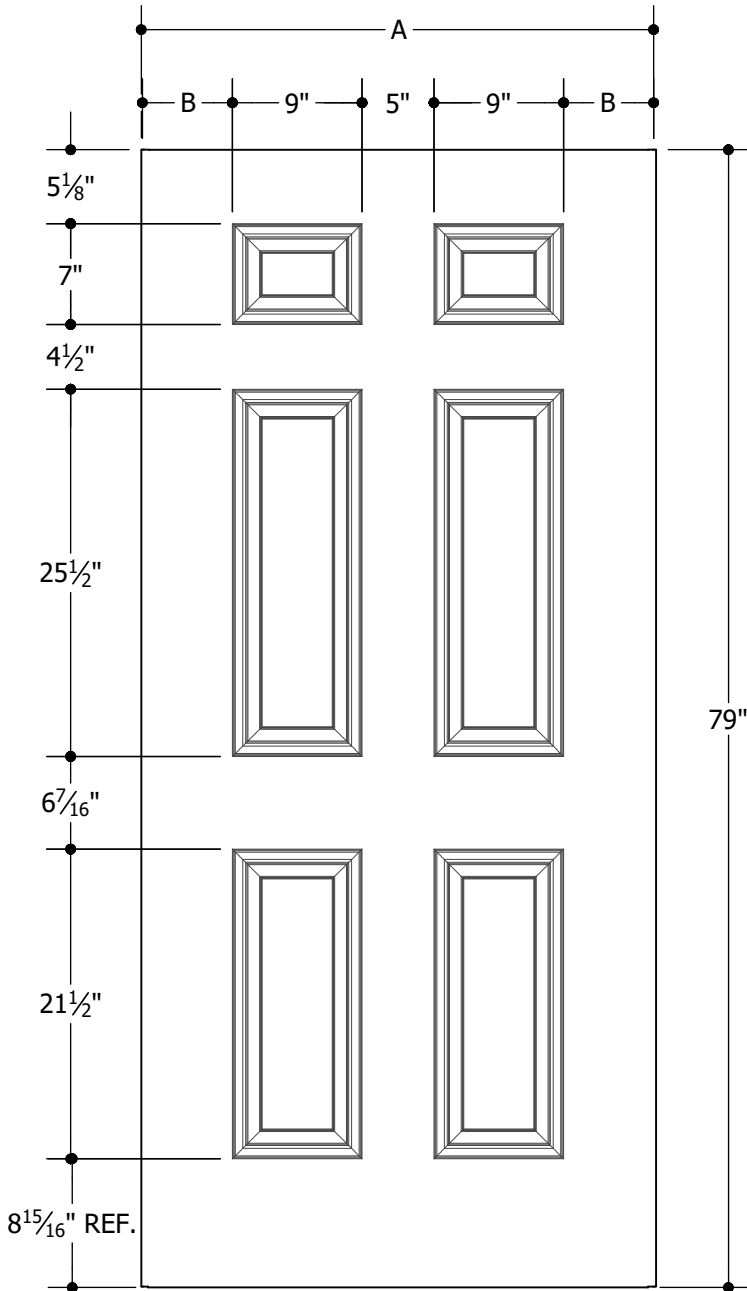


6'8"	A	31-3/4"	2'8"
	B	4-3/8"	
6'8"	A	33-3/4"	2'8"
	B	5-3/8"	
6'8"	A	35-3/4"	2'8"
	B	6-3/8"	

- Options:**  
MASONITE® HD WOOD-EDGE STEEL DOORS  
MASONITE® HD WOOD-EDGE 20-MINUTE RATED STEEL DOORS  
MASONITE® HD METAL-EDGE STEEL DOORS  
MASONITE® HD METAL-EDGE 90-MINUTE RATED STEEL DOORS

**Note:**  
1. Overall Length and Width Dimensions are +/- 1/16 inch  
2. Available as 83" length.

\*Available as Prem Spec  
[www.masonite.com](http://www.masonite.com)

**MASONITE® HD 6-PANEL 6'8"-7'0"**  
 MASONITE™ SPEC\*


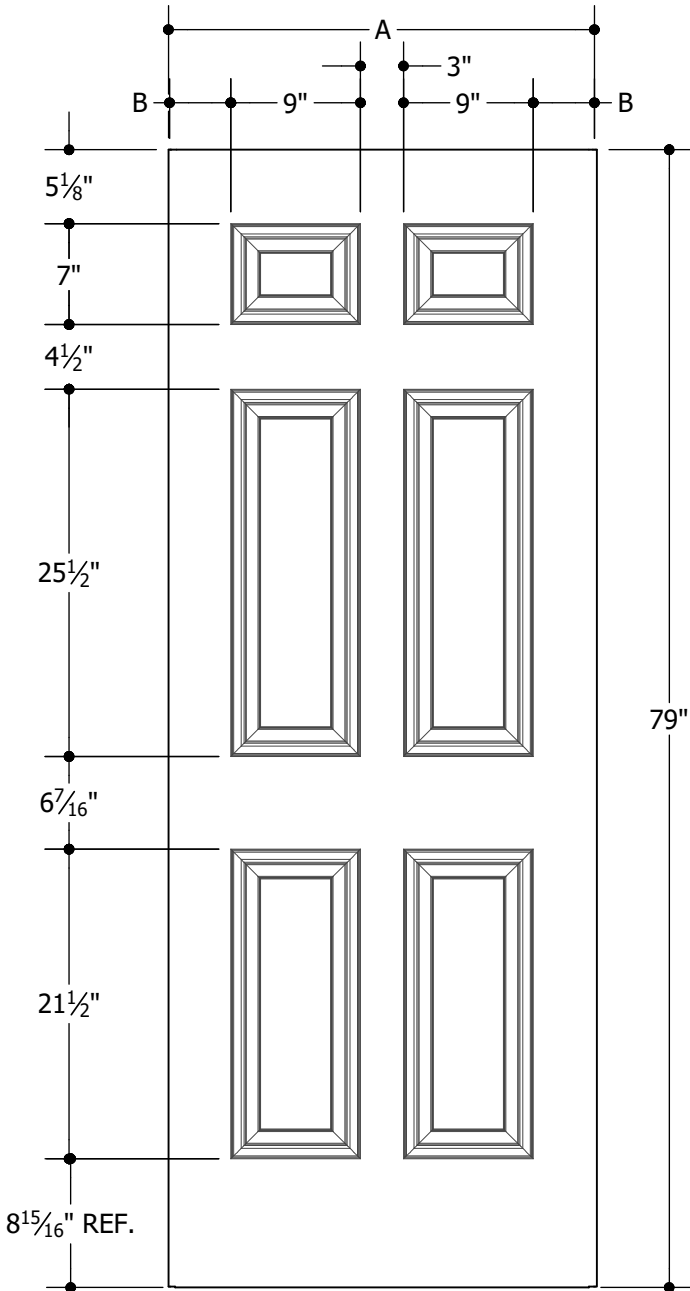
6'8"	A	31-3/4"	2'8"
	B	4-3/8"	
6'8"	A	33-3/4"	2'10"
	B	5-3/8"	
6'8"	A	35-3/4"	3'0"
	B	6-3/8"	

- Options:**
- MASONITE® HD WOOD-EDGE STEEL EDGE
  - MASONITE® HD WOOD-EDGE 20-MINUTE RATED STEEL DOORS
  - MASONITE® HD METAL-EDGE STEEL DOORS
  - MASONITE® HD METAL EDGE 90-MINUTE RATED STEEL DOORS

**Note:**  
 1. Overall Length and Width Dimensions are +/- 1/16 inch  
 2. Available as 83" length.

\*Available as Prem Spec  
[www.masonite.com](http://www.masonite.com)

**MASONITE® HD 6-PANEL NARROW 6'8"-7'0"**  
 MASONITE™ SPEC\*



6'8"	A	29-3/4"	2'6"
	B	4-3/8"	

- Options:**
- MASONITE® HD WOOD-EDGE STEEL EDGE
  - MASONITE® HD WOOD-EDGE 20-MINUTE RATED STEEL DOORS
  - MASONITE® HD METAL-EDGE STEEL DOORS
  - MASONITE® HD METAL EDGE 90-MINUTE RATED STEEL DOORS

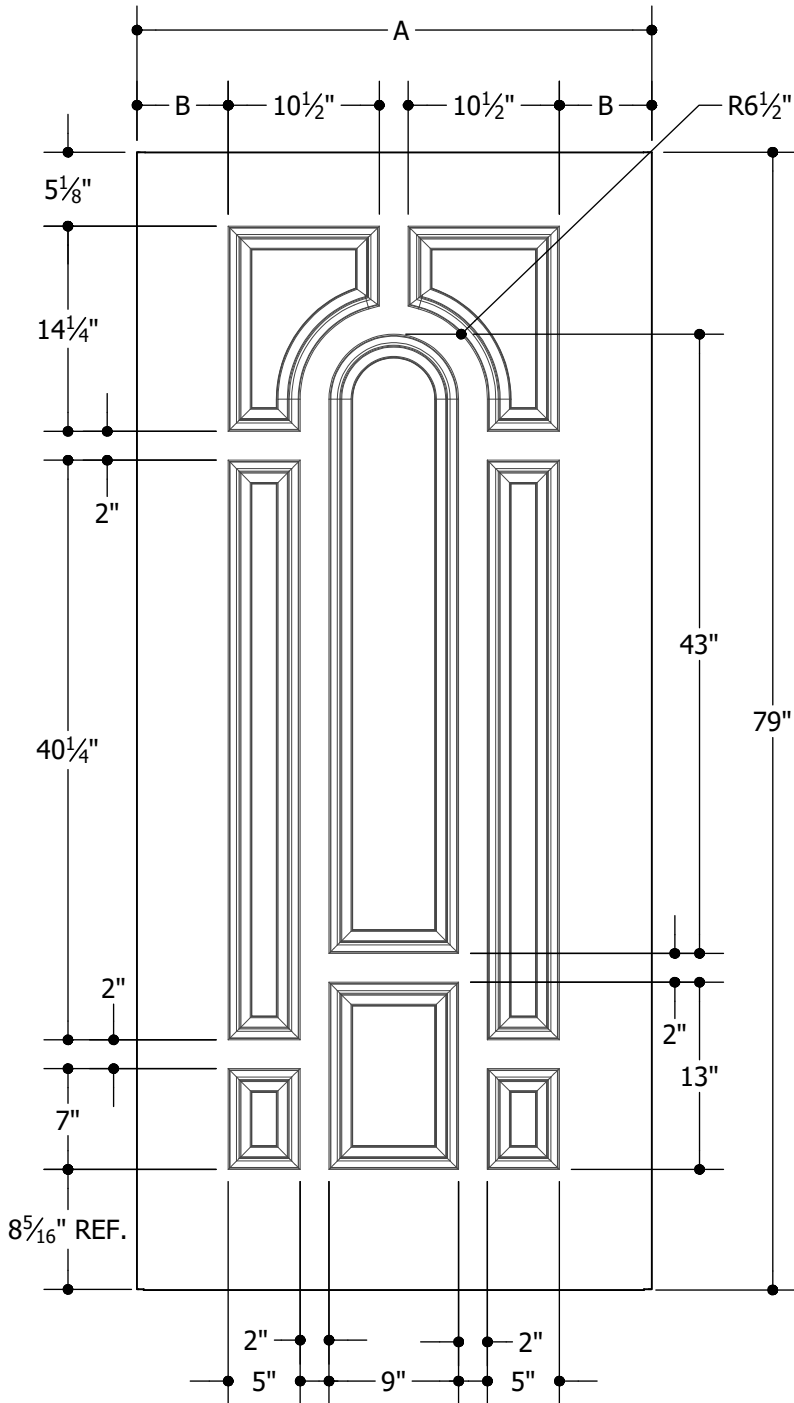
**Note:**  
 1. Overall Length and Width Dimensions are +/- 1/16 inch  
 2. Available as 83" length.

\*Available as Prem Spec  
[www.masonite.com](http://www.masonite.com)

© 2017 Masonite International Corporation. All Rights Reserved.  
 Our continuing program of product improvement makes specifications, design and product detail subject to change without notice.

Filename: TM-HD-6P NRW-68 013  
 Revision: A  
 Date: 01-10-2017  
 Section XX XX.X.X

**MASONITE® HD 8-PANEL PARLIAMENT 6'8"-7'0"**  
MASONITE™ SPEC\*

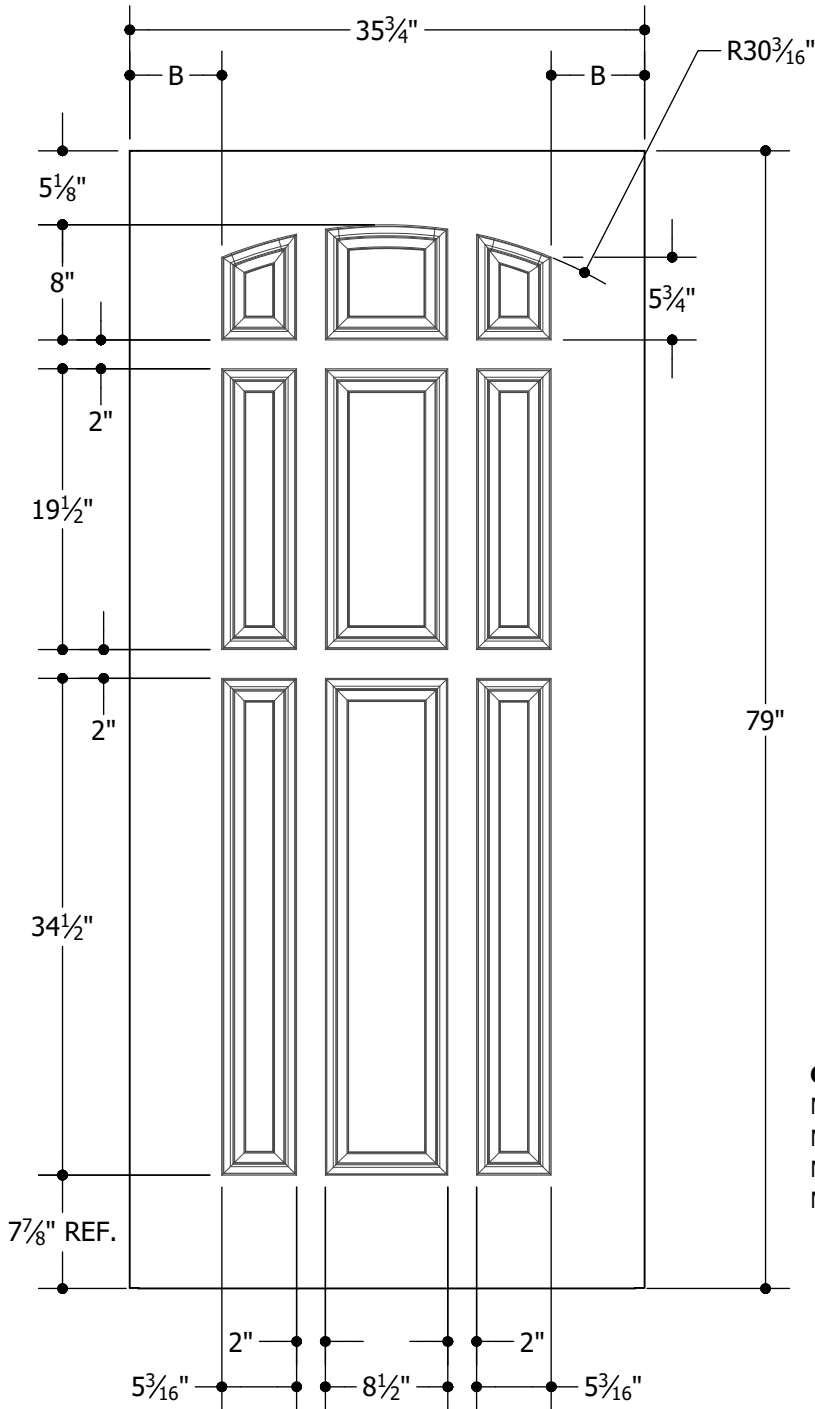


6'8"	A	31-3/4"	2'8"
	B	4-3/8"	
6'8"	A	33-3/4"	2'10"
	B	5-3/8"	
6'8"	A	35-3/4"	3'0"
	B	6-3/8"	
6'8"			
6'8"			
6'8"			
6'8"			
6'8"			
6'8"			

- Options:**  
MASONITE® HD WOOD-EDGE STEEL DOORS  
MASONITE® HD WOOD-EDGE 20-MINUTE RATED STEEL DOORS  
MASONITE® HD METAL-EDGE STEEL DOORS  
MASONITE® HD METAL-EDGE 90-MINUTE RATED STEEL DOORS

**Note:**  
1. Overall Length and Width Dimensions are +/- 1/16 inch  
2. Available as 83" length.

\*Available as Prem Spec  
[www.masonite.com](http://www.masonite.com)

**MASONITE® HD 9-PANEL CAMBER TOP 6'8"-7'0"**  
 MASONITE™ SPEC


6'8"	A	31-3/4"	2'8"
	B	4-7/16"	
6'8"	A	33-3/4"	2'10"
	B	5-7/16"	
6'8"	A	35-3/4"	3'0"
	B	6-7/16"	

**Options:**

- MASONITE® HD WOOD-EDGE STEEL DOORS
- MASONITE® HD WOOD-EDGE 20-MINUTE RATED STEEL DOORS
- MASONITE® HD METAL-EDGE STEEL DOORS
- MASONITE® HD METAL-EDGE 90-MINUTE RATED STEEL DOORS

**Note:**

1. Overall Length and Width Dimensions are +/- 1/16 inch
2. Available as 83" length.

\*Available as Prem Spec

[www.masonite.com](http://www.masonite.com)

© 2017 Masonite International Corporation. All Rights Reserved.

Our continuing program of product improvement makes specifications, design and product detail subject to change without notice.

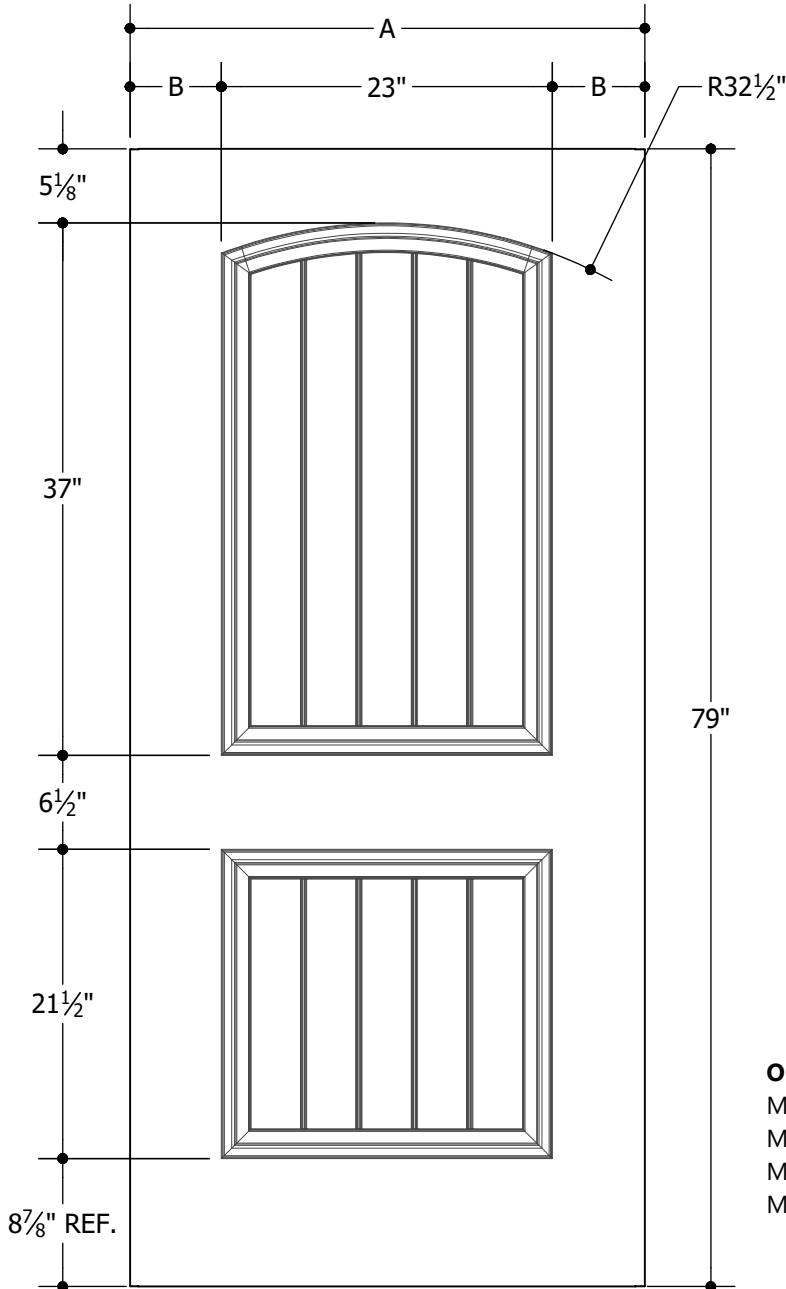
Filename: TM-HD-9P CMBR TP-68 015

Revision: A

Date: 01-10-2017

Section XX XX.X.X

**MASONITE® 2-PANEL PLANK CAMBER-TOP 6'8"-7'0"**  
MASONITE™ SPEC\*



6'8"	A	31 3/4"	2'8"
	B	4-3/8"	
6'8"	A	33-3/4"	2'10"
	B	5-3/8"	
6'8"	A	35-3/4"	3'0"
	B	6-3/8"	

- Options:**  
MASONITE® HD WOOD-EDGE STEEL DOORS  
MASONITE® HD WOOD-EDGE 20-MINUTE RATED STEEL DOORS  
MASONITE® HD METAL-EDGE STEEL DOORS  
MASONITE® HD METAL-EDGE 90-MINUTE RATED STEEL DOORS

**Note:**  
1. Overall Length and Width Dimensions are +/- 1/16 inch  
2. Available as 83" length.

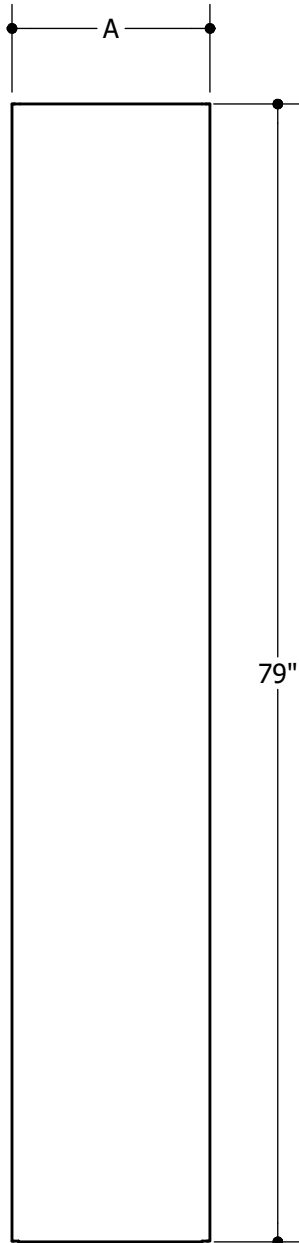
\*Available as Prem Spec  
[www.masonite.com](http://www.masonite.com)

© 2017 Masonite International Corporation. All Rights Reserved.  
Our continuing program of product improvement makes specifications, design and product detail subject to change without notice.

Filename: TM-25P PLNK CMBR TP-68 016  
Revision: A  
Date: 01-10-2017  
Section XX XX.X.X



**MASONITE® HD FLUSH SIDELITE 6'8"-7'0"**  
MASONITE™ SPEC\*



6'8"	A	10-3/8"	10"
6'8"	A	11-7/8"	12"
6'8"	A	13-7/8"	14"

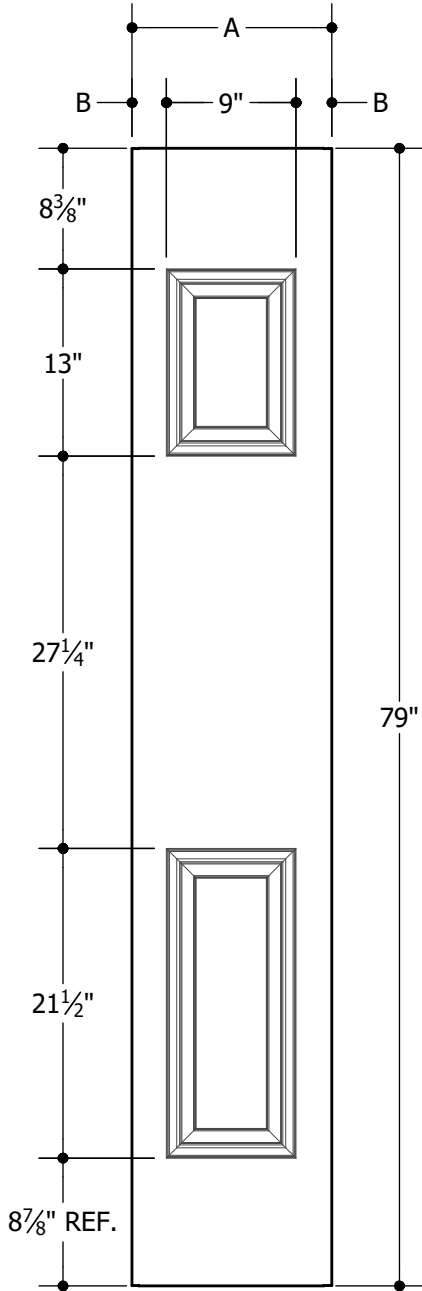
**Options:**  
MASONITE® HD WOOD-EDGE STEEL SIDELITE

**Note:**

1. Overall Length and Width Dimensions are +/- 1/16 inch
2. Available as 83" length.

\*Available as Prem Spec  
[www.masonite.com](http://www.masonite.com)

**MASONITE® HD 2-PANEL UNIVERSAL SIDELITE 6'8"-7'0"**  
MASONITE™ SPEC\*



6'8"	A	11-7/8"	12"
	B	1-7/16"	
6'8"	A	13-7/8"	14"
	B	2-7/16"	

**Options:**

MASONITE® HD WOOD-EDGE STEEL SIDELITE

**Note:**

- Overall Length and Width Dimensions are +/- 1/16 inch
- Flip panel for use with 3/4 lite style door.

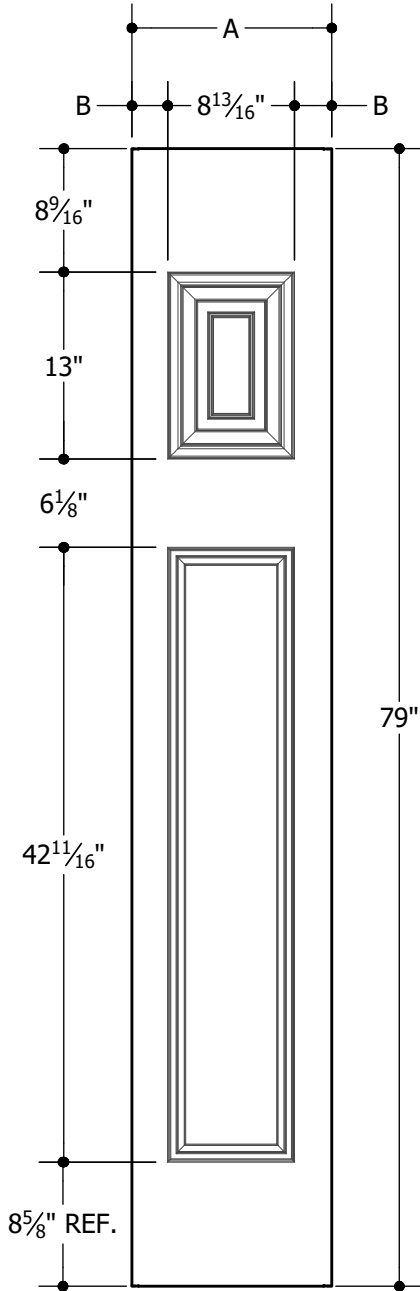
\*Available as Prem Spec  
[www.masonite.com](http://www.masonite.com)

© 2017 Masonite International Corporation. All Rights Reserved.

Our continuing program of product improvement makes specifications, design and product detail subject to change without notice.

Filename: TM-HD-2P UNI SL-68 018  
Revision: A  
Date: 01-12-2017  
Section XX XX.X.X

**MASONITE® HD CRAFTSMAN & HOLLISTER SIDELITE 6'8"-7'0"**  
 MASONITE™ SPEC\*



6'8"	A	11-7/8"	12"
	B	1-2/5"	
6'8"	A	13-7/8"	14"
	B	2-2/5"	

**Options:**  
 MASONITE® HD WOOD-EDGE STEEL SIDELITE

**Note:**  
 1. Overall Length and Width Dimensions are +/- 1/16 inch

\*Available as Prem Spec  
[www.masonite.com](http://www.masonite.com)

© 2017 Masonite International Corporation. All Rights Reserved.  
 Our continuing program of product improvement makes specifications, design and product detail subject to change without notice.

Filename: TM-HD-CRFT HLSTR SL-68 019  
 Revision: A  
 Date: 01-20-2017  
 Section XX XX.X.X